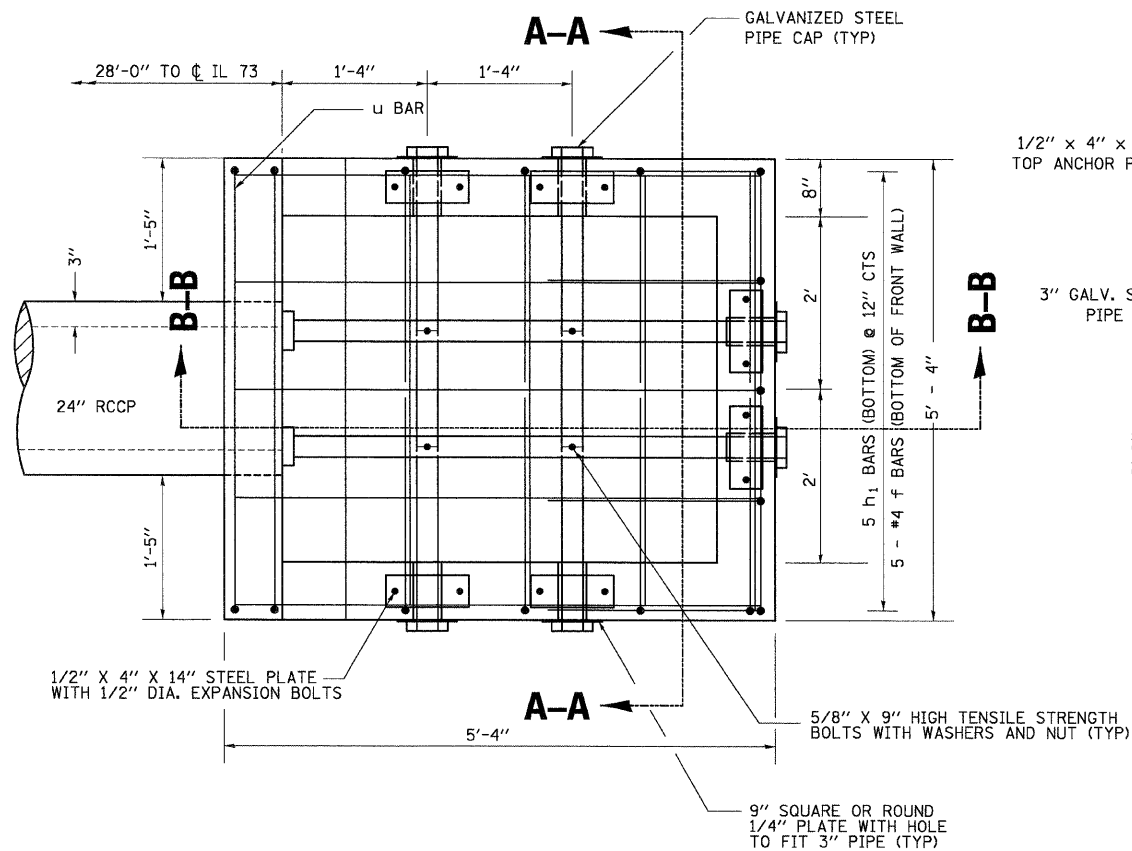


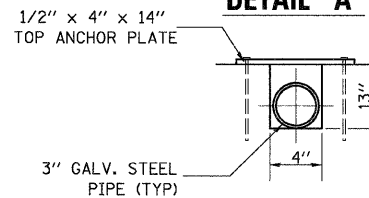
# DROP BOX NO. 1

LT STA. 600 + 69.49

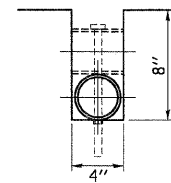
## PLAN



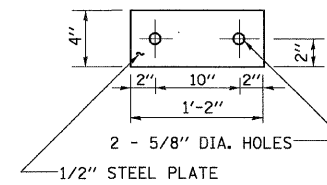
### DETAIL "A"



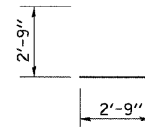
### DETAIL "B"



### TOP ANCHOR PLATE



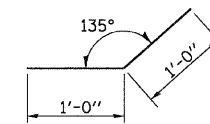
### BAR d



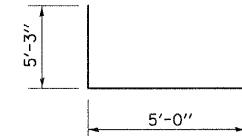
### BAR d<sub>1</sub>



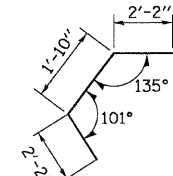
### BAR f



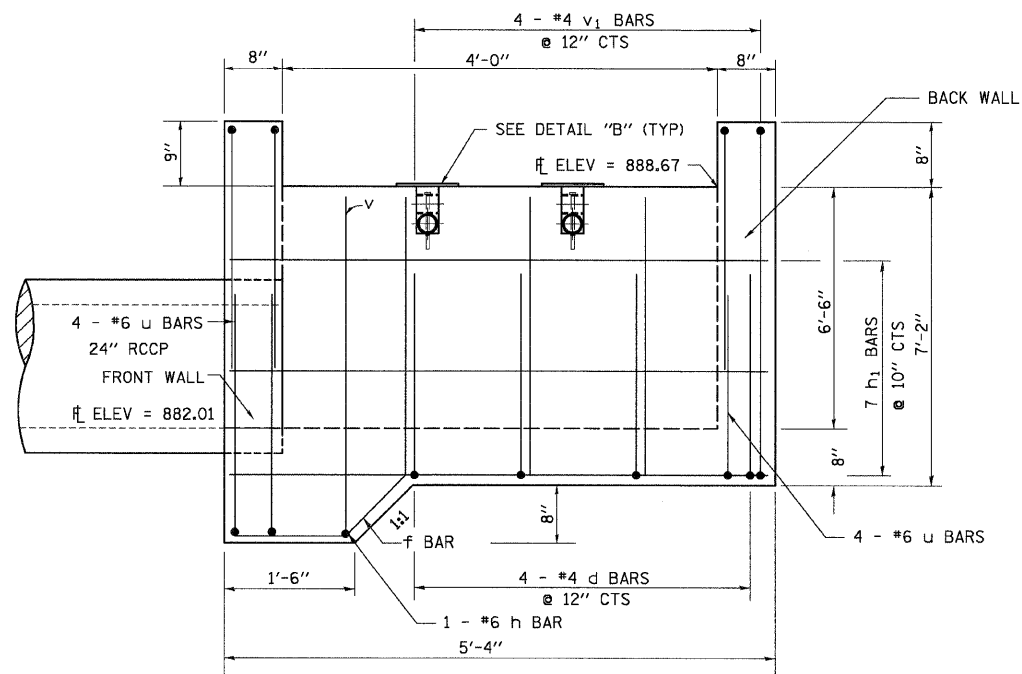
### BAR u



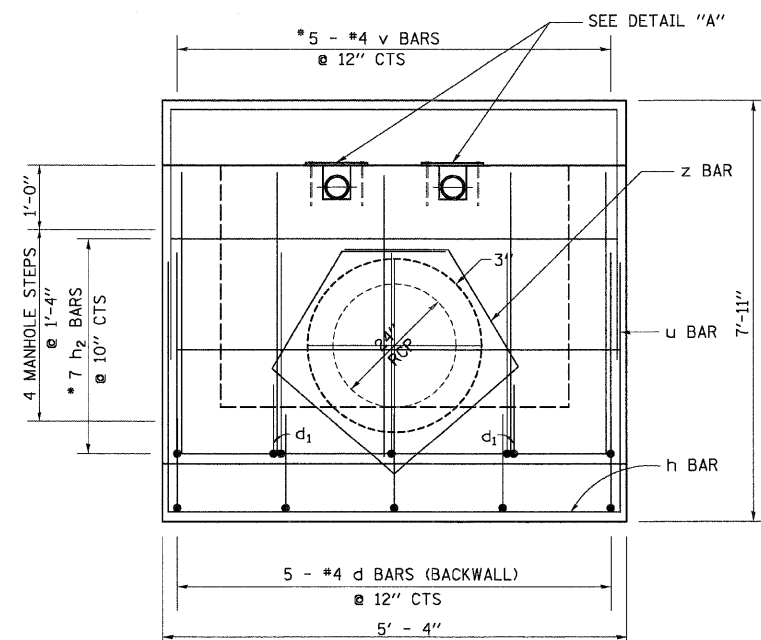
### BAR z



## SECTION B-B



## SECTION A-A



\* CUT TO FIT IN FRONTWALL

### BILL OF MATERIALS (FOR REINFORCEMENT)

BAR	SIZE	NO.	LENGTH	WEIGHT (LB)
d	4	13	5'-6"	47.76
d <sub>1</sub>	4	2	3'-5"	4.56
f	4	5	2'-0"	6.68
h	6	1	5'-0"	7.51
h <sub>1</sub>	4	19	5'-0"	63.46
h <sub>2</sub>	4	14	5'-0"	46.76
u	6	8	15'-6"	186.23
v	4	12	7'-6"	60.12
v <sub>1</sub>	4	8	6'-9"	36.07
z	4	2	6'-2"	8.24
DESCRIPTION		UNIT	QTY	
CLASS "S1" CONCRETE		CU YD	4.02	
REINFORCEMENT BARS		LB	467.39	

### BILL OF MATERIALS (FOR GRATED DROP BOX)

DESCRIPTION	UNIT	QTY.
3" GALVANIZED STEEL PIPE	FOOT	4 @ 5'-4"
3" GALV PIPE CAPS	EACH	8
1/4" GALV. STEEL PLATE (9" NOMINAL)	EACH	6
1/2" x 4" x 14" GALV. STEEL PLATE	EACH	6
5/8" x 9" GALV. STEEL BOLTS	EACH	4
EXPANSION BOLTS 1/2"Ø	EACH	12
MANHOLE STEPS	EACH	4
PIPE HANDRAIL	FOOT	17

### GENERAL NOTES

THIS WORK SHALL BE DONE ACCORDING TO THE APPLICABLE PORTION OF 503, 508, 509, 542 OF THE STANDARD SPECIFICATIONS.

CLASS "S1" CONCRETE SHALL BE USED. EXPOSED EDGES SHALL BE BEVELED 3/4".

THE CONTRACT UNIT PRICE "EACH" FOR DROP BOX NO. 1 SHALL INCLUDE THE EXPANSION BOLTS, GALVANIZED PIPE, CLASS "S1" CONCRETE, REINFORCEMENT BARS, BOLTS, NUTS, WASHERS, STEEL PLATES, MANHOLE STEPS, EARTH EXCAVATION WHERE REQUIRED, AND NECESSARY GRADING TO FIT THE INLET AS SHOWN IN THE CROSS SECTIONS OR TO THE SLOPE.

REINFORCEMENT BARS SHALL CONFORM TO THE REQUIREMENTS OF ASTM A706 GR 60 (IL MODIFIED).

STEEL PLATES SHALL CONFORM TO AASHTO M-183 AND SHALL BE GALVANIZED CONFORMING TO AASHTO M-111.

MANHOLE STEPS SHALL CONFORM TO ARTICLE 602.08 OF THE STANDARD SPECIFICATIONS AND STANDARD 602701.

CONTRACTOR SHALL FIELD VERIFY PIPE DIMENSIONS PRIOR TO ORDERING.

BOLTS, NUTS, AND WASHERS SHALL BE IN ACCORDANCE WITH ARTICLE 710.11 OF THE STANDARD SPECIFICATION AND SHALL BE GALVANIZED.

SEE SHEET 21 FOR HANDRAIL DETAILS.

COOMBE-BLOXDORF P.C.  
Engineers / Land Surveyors  
Springfield, Illinois  
Design Firm License No. 184-002703

FILE NAME =	USER NAME = CFC-na	DESIGNED -	REVISED -
...\\071\07075\vb-na\z11306culv3.dgn		DRAWN -	REVISED -
	PLOT SCALE = 50.0000' / IN.	CHECKED -	REVISED -
	PLOT DATE = 01/21/2008	DATE -	REVISED -

STATE OF ILLINOIS  
DEPARTMENT OF TRANSPORTATION

DROP BOX NO 1

SCALE: SHEET NO. OF SHEETS STA. TO STA.

F.A.S. RTE.	SECTION	COUNTY	TOTAL SHEETS	SHEET NO.
1087	107T-1	STEPHENSON	47	20
CONTRACT NO. 64C64				
FED. ROAD DIST. NO. ILLINOIS FED. AID PROJECT				