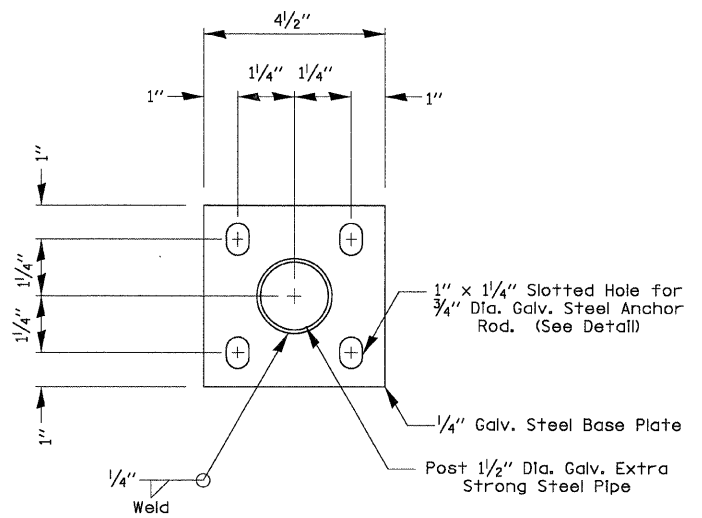


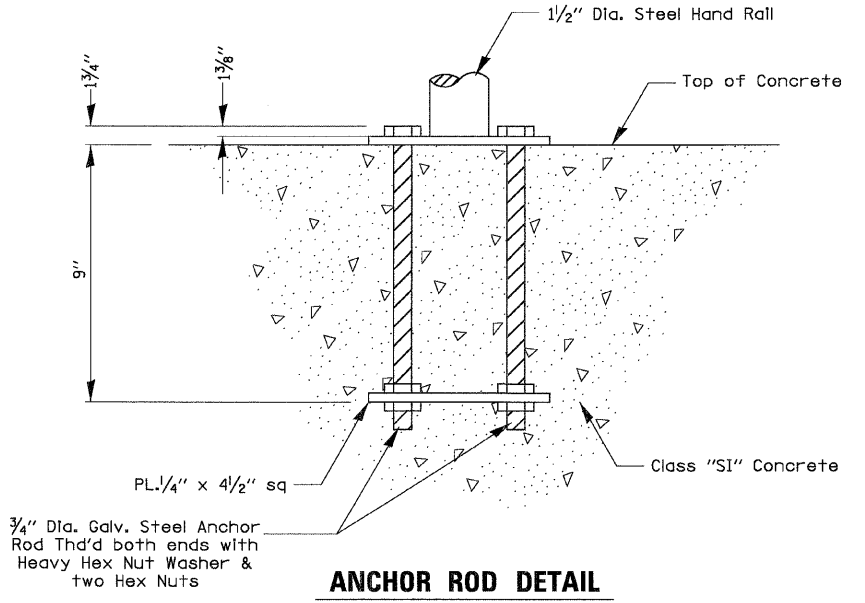
1 1/2" DIA. STEEL HANDRAIL
(STYLE & MANUFACTURER
TO BE DETERMINED
BY ENGINEER & CONTRACTOR)

GENERAL NOTES:

- ALL HANDRAIL DIMENSIONS SHALL BE VERIFIED BY CONTRACTOR PRIOR TO FABRICATION OF PIPE HANDRAIL, BASED UPON FINAL LOCATION OF MOUNTING BOLTS.
- HANDRAIL SHALL CONFORM TO SECTION 509 WITH THE EXCEPTION THAT ALL PIPE AND CONNECTIONS SHALL BE WELDED GALVANIZED OR ALUMINUM ACCORDING TO ARTICLE 1006.27, 1006.30, OR 1006.34.
- THE DIAMETER OF THE GRIPPING SURFACE OF THE HANDRAIL SHALL BE 1-1/4" TO 1-1/2"
- ENDS OF HANDRAIL SHALL BE ROUNDED.
- HAND & SAFETY RAILS SHALL NOT ROTATE WITHIN THEIR FITTINGS.
- GRIPPING SURFACES SHALL BE UNINTERRUPTED BY NEWEL POSTS, OTHER CONSTRUCTION ELEMENTS, OR OBSTRUCTIONS.
- THE CONTRACT UNIT PRICE "FOOT" FOR PIPE HANDRAIL SHALL INCLUDE THE PIPE, ANCHOR RODS, ANCHOR BOLTS, BOLTS, NUTS, WASHERS, AND STEEL BASE PLATES.



POST BASE PLATE DETAIL
(Included In the cost of Handrail)



ANCHOR ROD DETAIL
(Included In the cost of Handrail)

FILE NAME =	USER NAME = CFC-na	DESIGNED -	REVISED -
...\\07\07075\vb-na\z11306sp11.dgn		DRAWN -	REVISED -
	PLOT SCALE = 50.0000 ' / IN.	CHECKED -	REVISED -
	PLOT DATE = 01/21/2008	DATE -	REVISED -

**STATE OF ILLINOIS
DEPARTMENT OF TRANSPORTATION**

PIPE HANDRAIL DETAILS

SCALE: SHEET NO. OF SHEETS STA. TO STA.

COOMBE-BLOXDORF P.C.				
Engineers / Land Surveyors				
Springfield, Illinois				
Design Firm License No. 184-002703				
F.A.S. RTE.	SECTION	COUNTY	TOTAL SHEETS	SHEET NO.
1087	107T-1	STEPHENSON	47	21
			CONTRACT NO. 64C64	
FED. ROAD DIST. NO.		ILLINOIS FED. AID PROJECT		