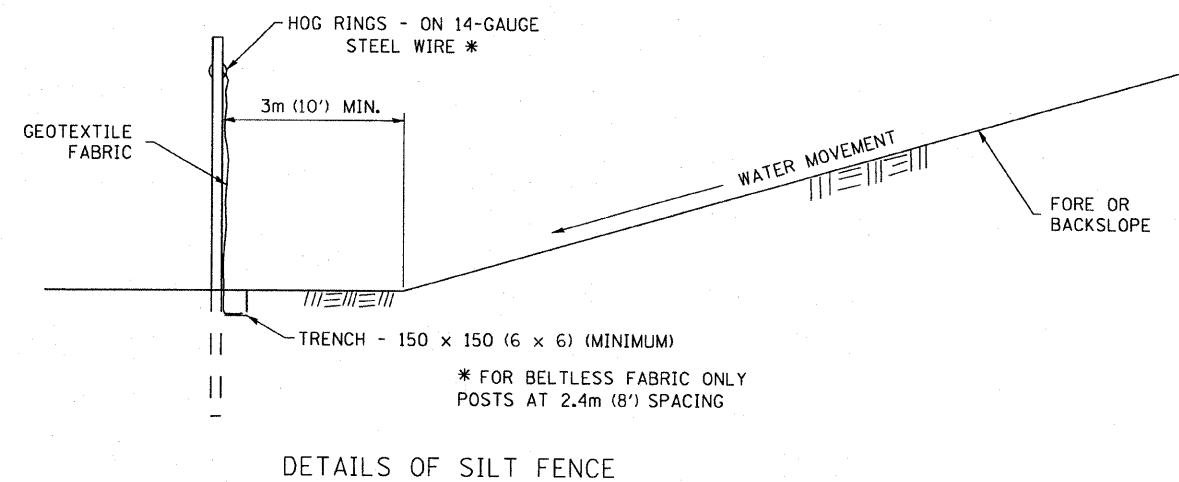
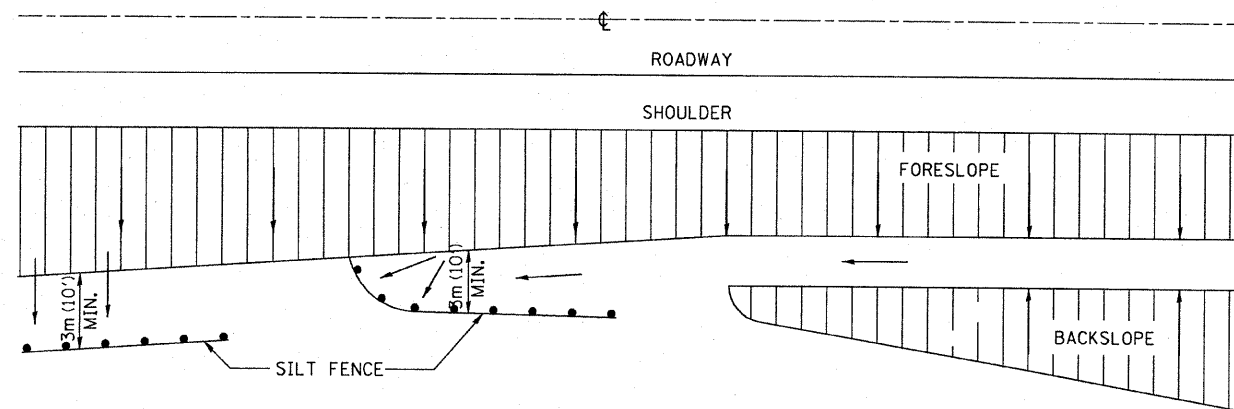


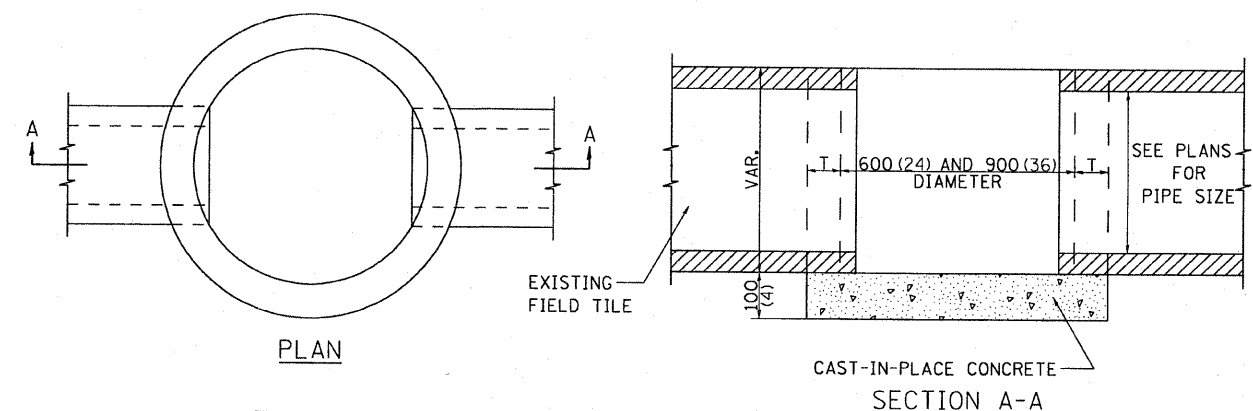
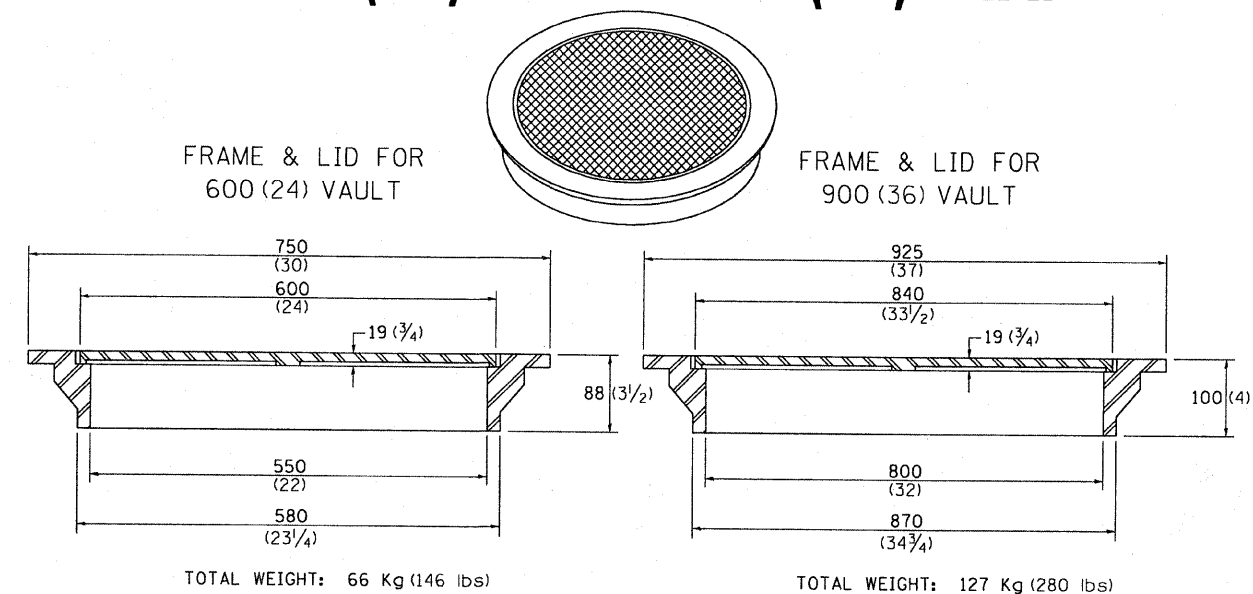
EROSION CONTROL DETAILS FOR SILT FENCE



ALL DIMENSIONS ARE IN MILLIMETERS (INCHES) UNLESS OTHERWISE NOTED.

REVISED - 10-22-01

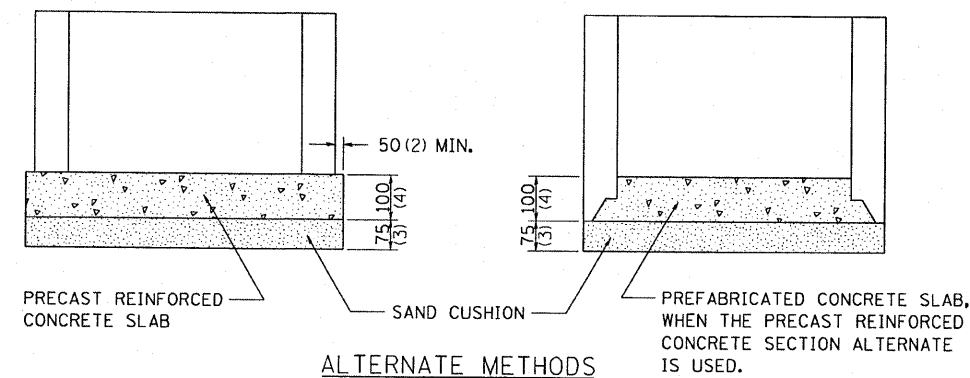
FIELD TILE JUNCTION VAULTS 600 (24) AND 900 (36) DIA.



ALTERNATE MATERIALS FOR WALLS	T
BRICK MASONRY	200 (8)
CAST-IN-PLACE CONCRETE	150 (6)
CONCRETE MASONRY UNIT	125 (5)
PRECAST REINFORCED CONCRETE SECTION	75 (3)

NOTE: THE FRAME AND LID IS REQUIRED ON ALL JUNCTION VAULTS.

ALL DIMENSIONS ARE IN MILLIMETERS (INCHES) UNLESS OTHERWISE NOTED.



REVISED - 5-03-94	REGION 2 / DISTRICT 2 STANDARD	F.A.S. RTE.	SECTION	COUNTY	TOTAL SHEETS	SHEET NO.
REVISED -		1087	10TT-1	STEPHENSON	47	30
REVISED -		CONTRACT NO. 64C64				
REVISED -		FED. ROAD DIST. NO. ILLINOIS FED. AID PROJECT				

SCALE: 2.0000 "/>