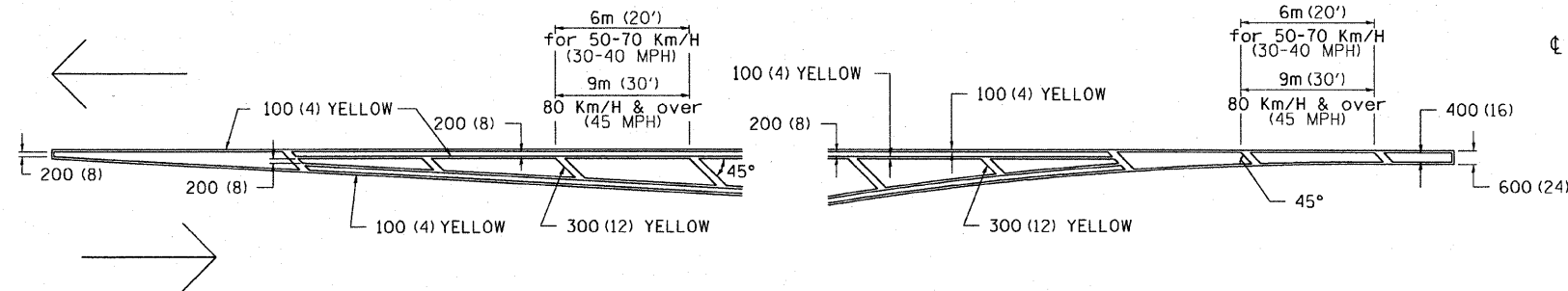
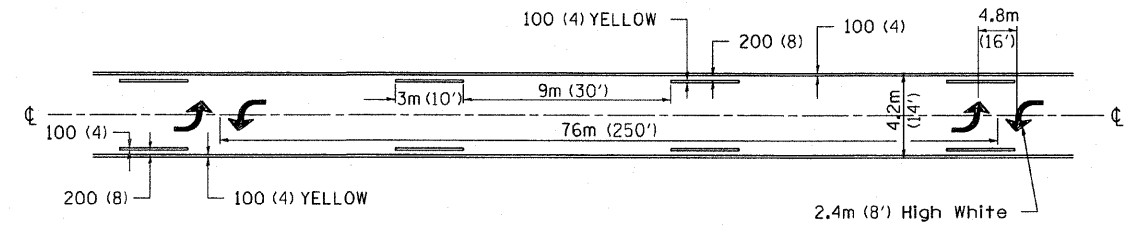


TYPICAL PAVEMENT MARKINGS

TYPICAL PAVEMENT MARKING FOR FLUSH MEDIAN AT LEFT TURN LANE

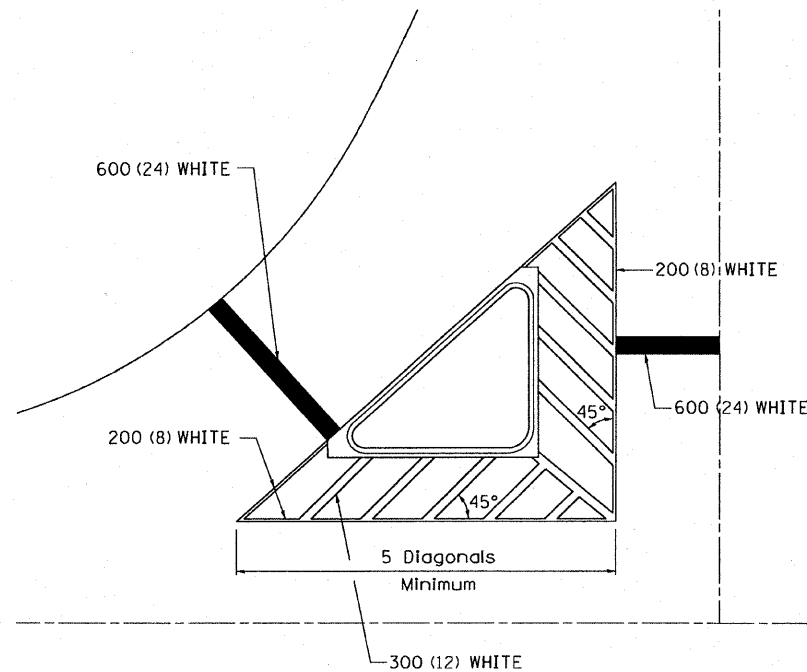


MEDIAN PAVEMENT MARKING

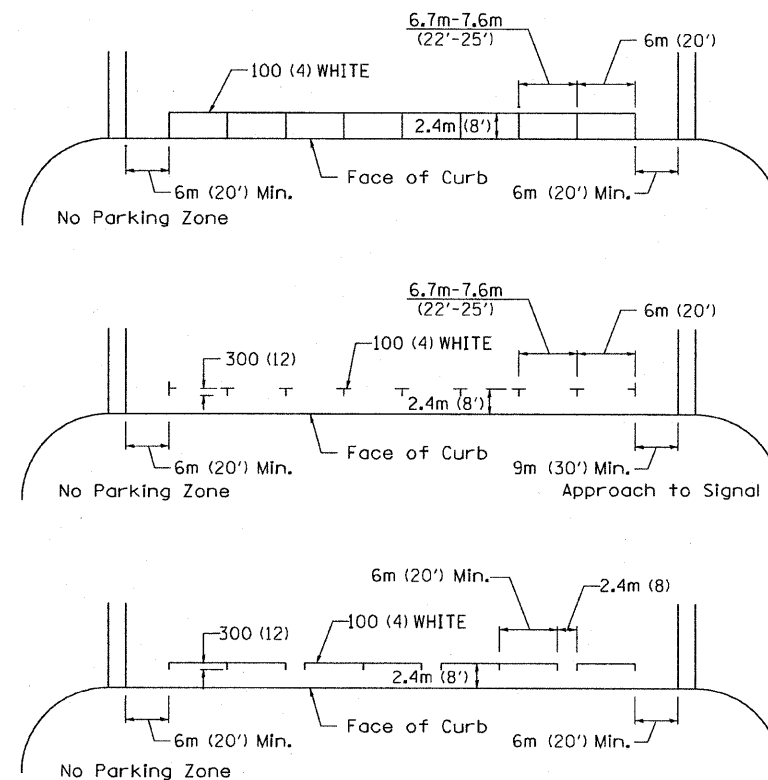


•• ALL DIMENSIONS ARE IN MILLIMETERS (INCHES) UNLESS OTHERWISE NOTED.

TYPICAL ISLAND OFFSET SHOULDER WIDTH

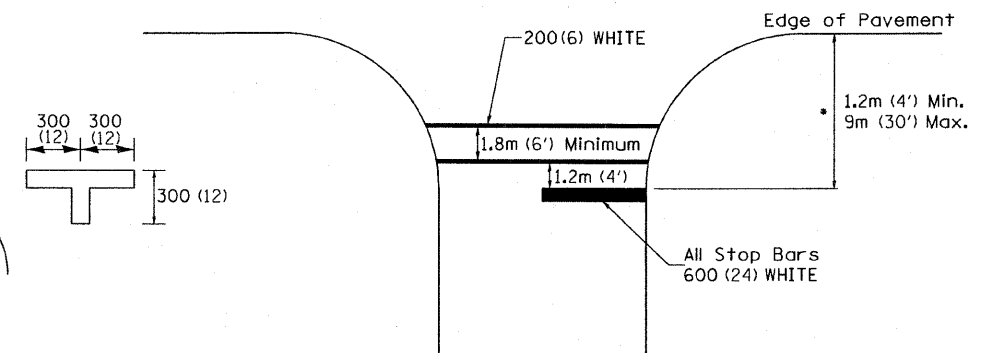


TYPICAL PARKING SPACING



STANDARD CROSSWALK MARKING

See Schedules for Locations



• Distance to the nearest edge of the intersecting roadway in the absence of a marked crosswalk.

FILE NAME =	USER NAME = CFC-rns	DESIGNED -	REVISED - 1-11-08
...\\07\07075\vb\ms\z11306spl18.dgn		DRAWN -	REVISED -
	PLOT SCALE = 2.0000' / IN.	CHECKED -	REVISED -
	PLOT DATE = 01/23/2008	DATE -	REVISED -

STATE OF ILLINOIS
DEPARTMENT OF TRANSPORTATION

REGION 2 / DISTRICT 2 STANDARD

F.A.S. RTE.	SECTION	COUNTY	TOTAL SHEETS NO.	SHEET NO.
1087	1077-1	STEPHENSON	47	34
FED. ROAD DIST. NO. ILLINOIS FED. AID PROJECT			CONTRACT NO. 64C64	

SCALE: SHEET NO. 7 OF 8 SHEETS STA. TO STA.