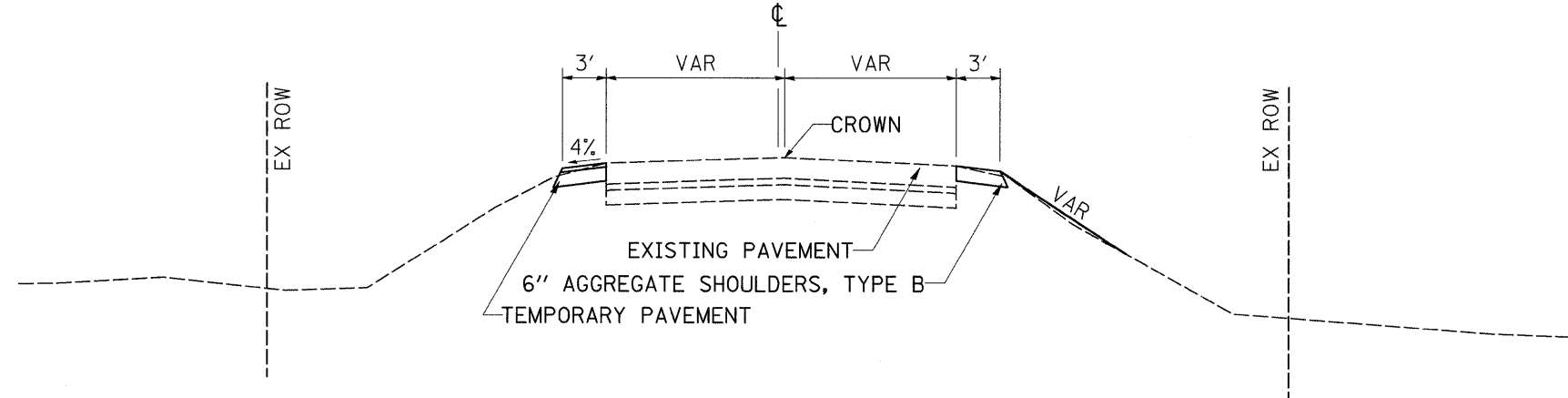


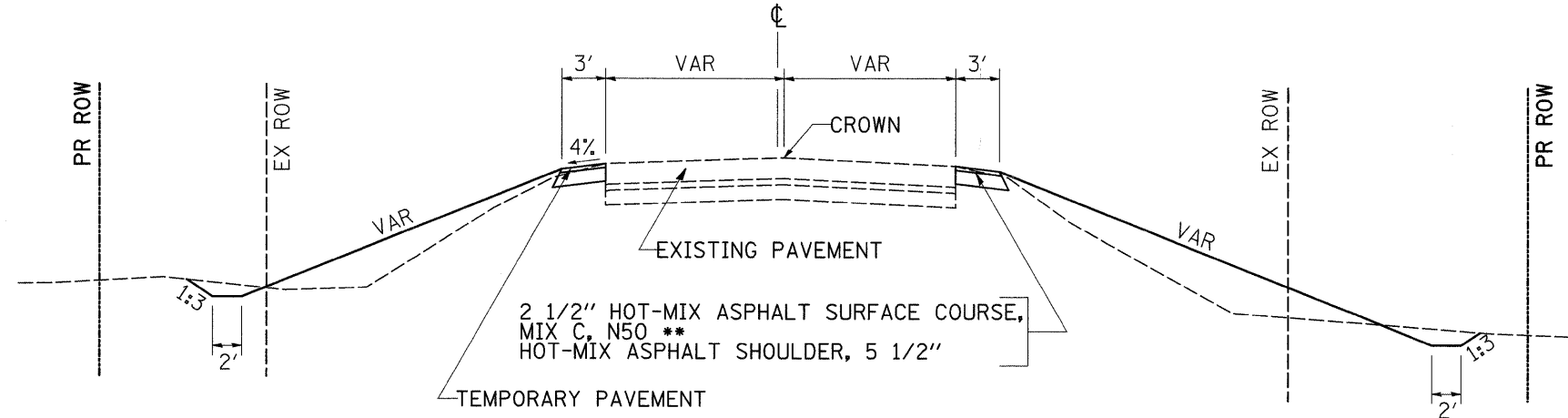
F.A.P. RTE.	SECTION	COUNTY	TOTAL SHEETS	SHEET NO.
611	102T	HENRY	41	5
STA. _____		TO STA. _____		
FED. ROAD DIST. NO. _____		ILLINOIS FED. AID PROJECT		

TYPICAL SECTIONS

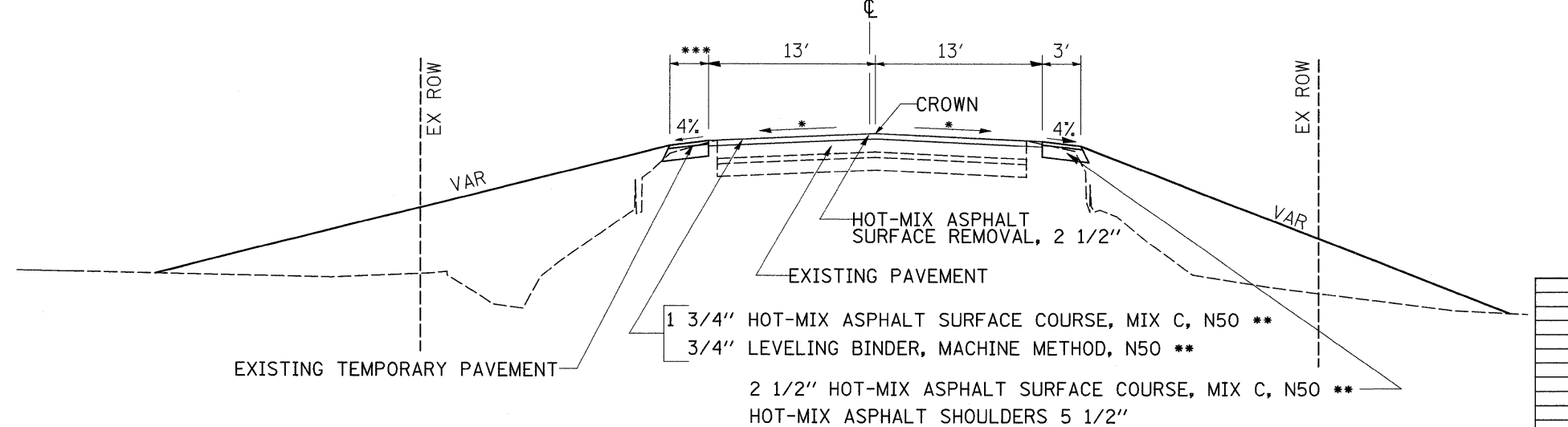
STA 281+90.00 - STA 283+00.00



STA 283+00.00 - STA 284+32.47
STA 285+28.48 - STA 286+50.00



GRIND & RESURFACE
STA 284+32.47 - STA 284+52.47
STA 285+08.47 - STA 285+28.48



- * MATCH EXISTING CROSS SLOPE
- ** 112 LBS/SQ YD/IN
- *** MATCH TEMPORARY PAVEMENT WIDTH

REVISIONS	
NAME	DATE

ILLINOIS DEPARTMENT OF TRANSPORTATION

SCALE: VERT. _____
HORIZ. _____
DATE _____

DRAWN BY _____
CHECKED BY _____

PLOT DATE = Thu Jan 31 07:24:21 2008
FILE NAME = C:\p\projects\211986\111986.dgn
PLOT SCALE = 52.9412' / IN.
USER NAME = jordanhd