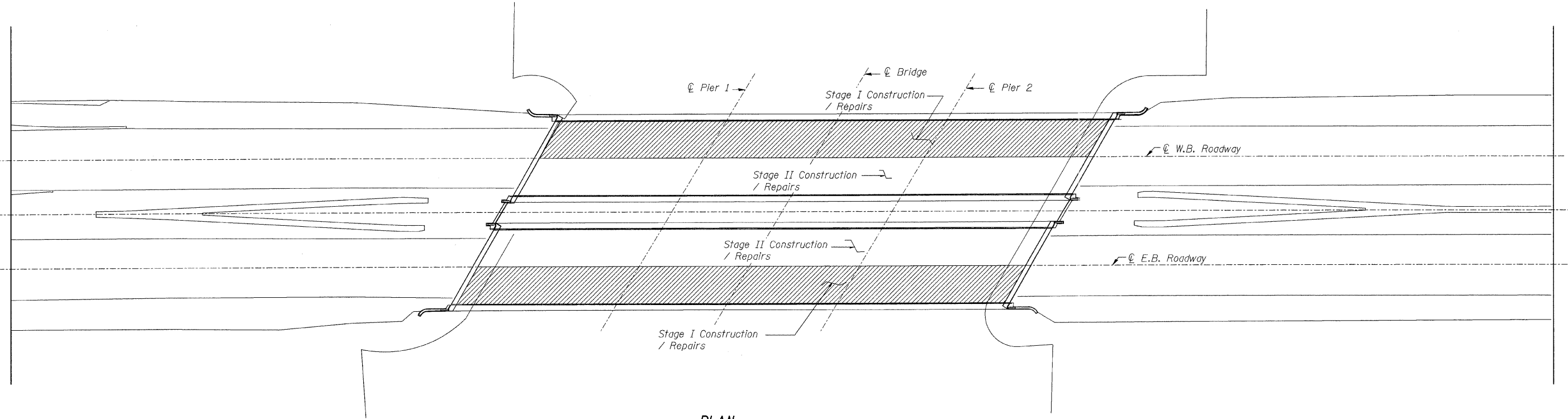
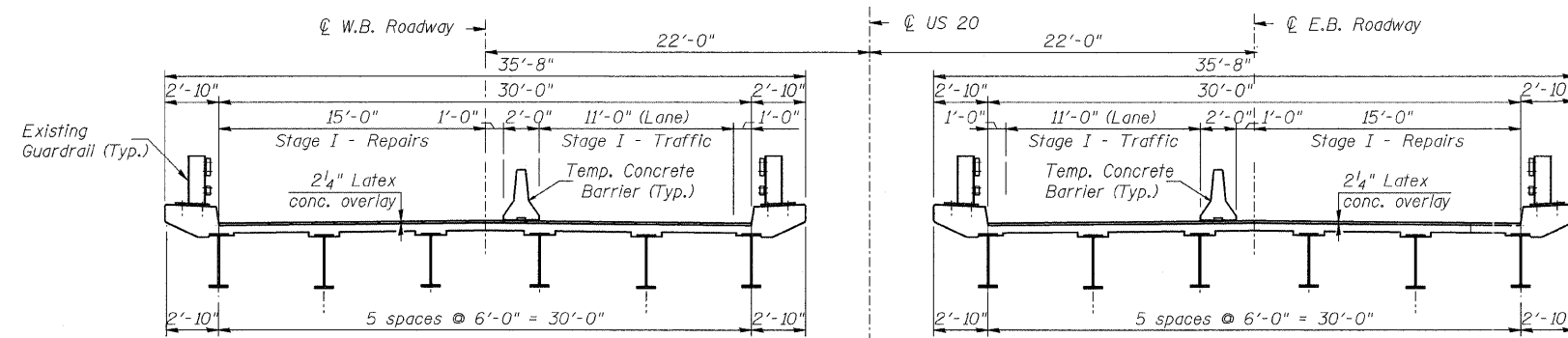


STATE OF ILLINOIS  
DEPARTMENT OF TRANSPORTATION

ROUTE NO.	SECTION	COUNTY	TOTAL SHEETS	SHEET NO.
U.S. 20	681M	WINNEBAGO COUNTY	13	7
FED. ROAD DIST. NO. 7	ILLINOIS	FED. AID PROJECT-	CONTRACT # 64074	



**PLAN**  
**STAGE I CONSTRUCTION / REPAIRS**



**TYPICAL CROSS SECTION, STAGE I CONSTRUCTION / REPAIRS**  
(Looking East)

Note: During Stage I Construction / Repairs, existing wearing surface will be removed and replaced with 2 1/4" Latex conc. overlay.

DESIGNED	M.R./M.A.
CHECKED	M.S./H.T.
DRAWN	R.K./M.A.
CHECKED	M.S./H.T./M.R.

TRAFFIC CONTROL PLAN 1 OF 6  
US 20 OVER KISHWAUKEE RIVER  
FAP ROUTE 525 (US20), SECTION (681M)  
WINNEBAGO COUNTY  
STATION 84+88.30  
STRUCTURE NO. 101-0073 & 101-0074

SCALE: NONE DATE: JANUARY, 2008  
**Soodan**  
Soodan & Associates, Inc.  
100 North LaSalle Street, Suite 1800  
Chicago, Illinois 60602