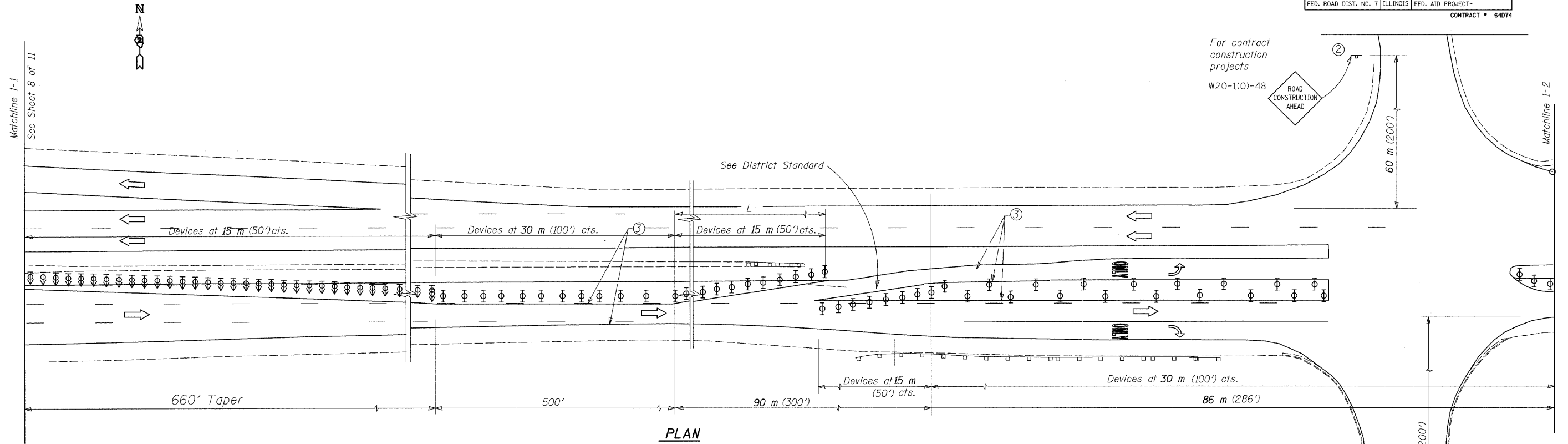


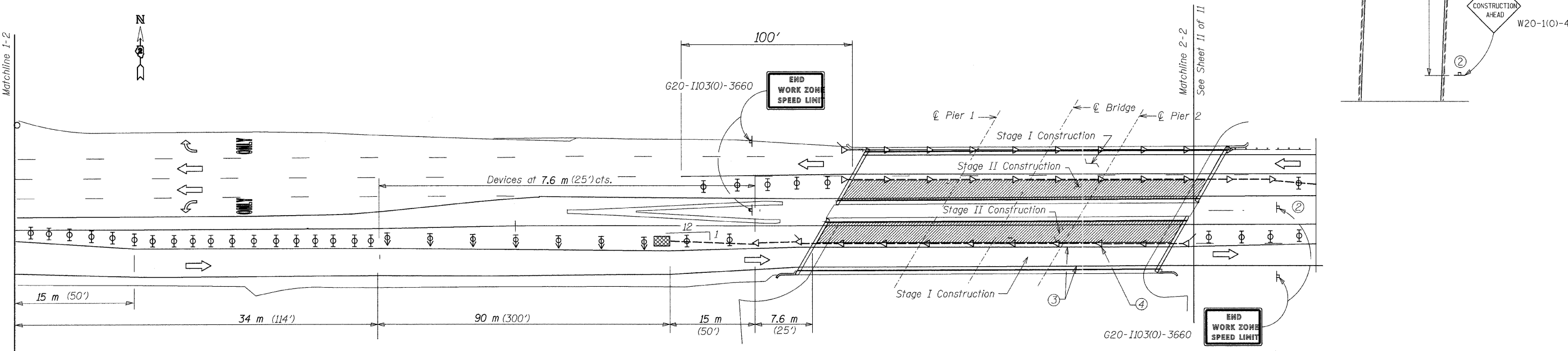
STATE OF ILLINOIS
DEPARTMENT OF TRANSPORTATION

ROUTE NO.	SECTION	COUNTY	TOTAL SHEETS	SHEET NO.
U.S. 20	68BM	WINNEBAGO COUNTY	13	11
FED. ROAD DIST. NO. 7		ILLINOIS	FED. AID PROJECT-	

CONTRACT # 64074



PLAN
TRAFFIC CONTROL, STAGE II REPAIR



PLAN
TRAFFIC CONTROL, STAGE II REPAIR

DESIGNED	M.R./M.A.
CHECKED	M.S./H.T.
DRAWN	R.K./M.A.
CHECKED	M.S./H.T./M.R.

TRAFFIC CONTROL PLAN 5 OF 6
US 20 OVER KISHWAUKEE RIVER
FAP ROUTE 525 (US20), SECTION (68BM)
WINNEBAGO COUNTY
STATION 84+88.30
STRUCTURE NO. 101-0073 & 101-0074

SCALE: NONE DATE: JANUARY, 2008
Soodan & Associates, Inc.
100 North LaSalle Street, Suite 1800
Chicago, Illinois 60602