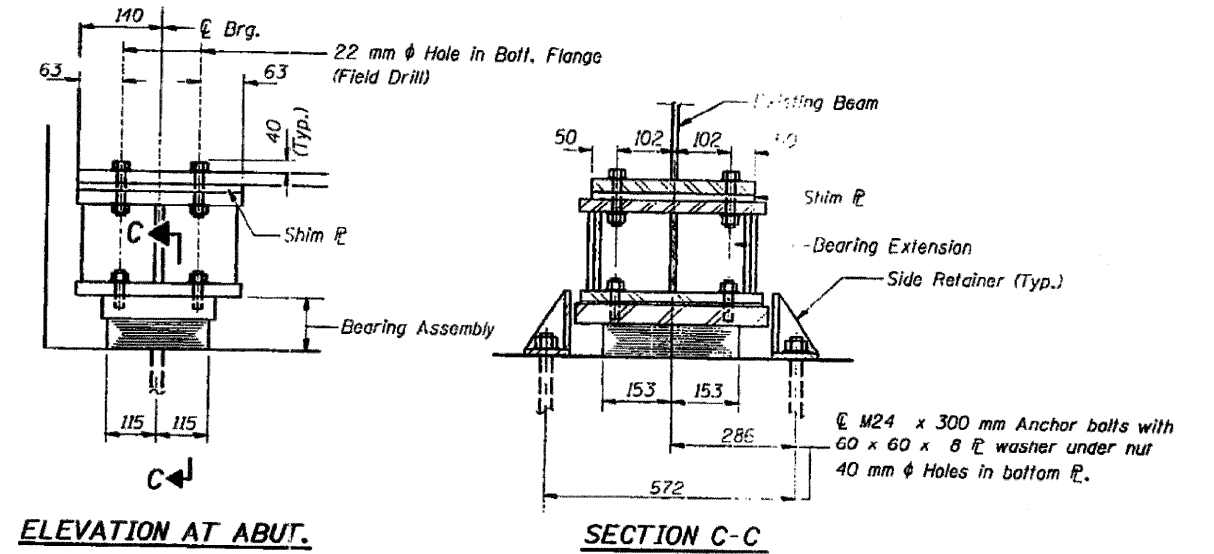
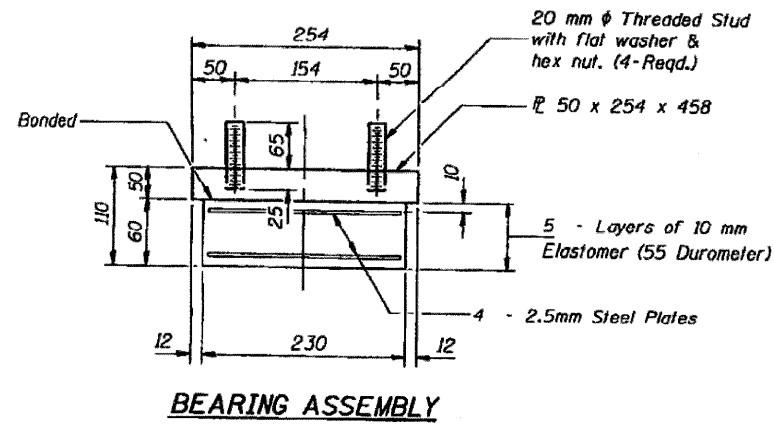


TYPE I ELASTOMERIC EXP. BRG.
(No extensions beams 6 thru 9)
East Abut.

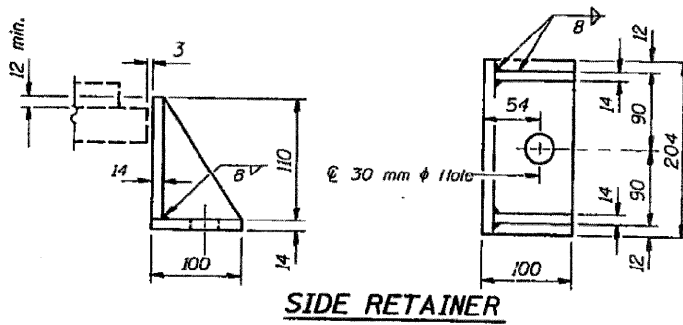
Notes: Anchor bolts at fixed bearings may be built into the masonry.
See sheet #14 for Anchor Bolt installation.
All dimensions are in millimeters (mm) except as noted.
Cost of field drilling for bearings is included with Furnish and Erecting Structural Steel.



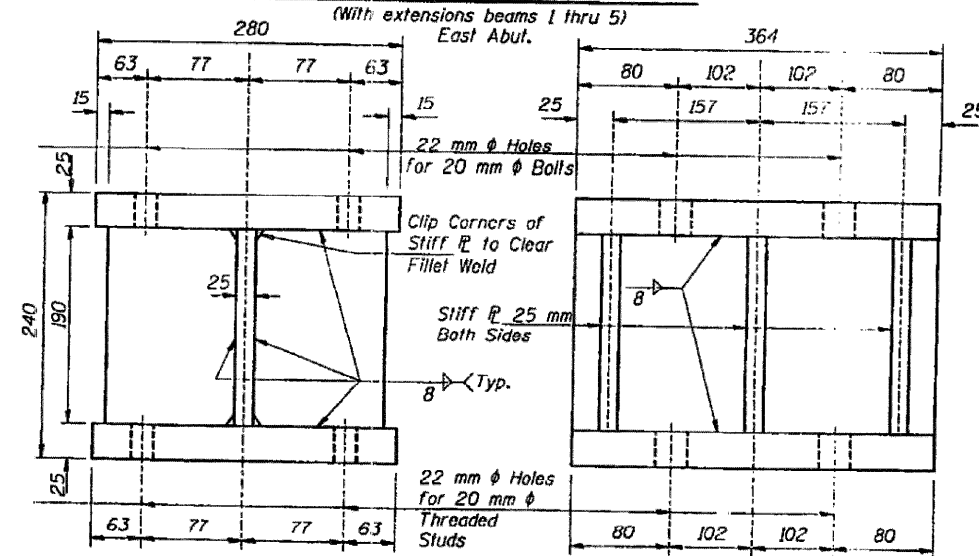
TYPE I ELASTOMERIC EXP. BRG.
(With extensions beams 1 thru 5)
East Abut.



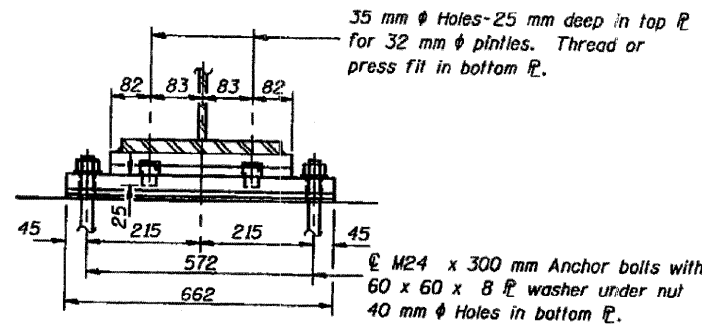
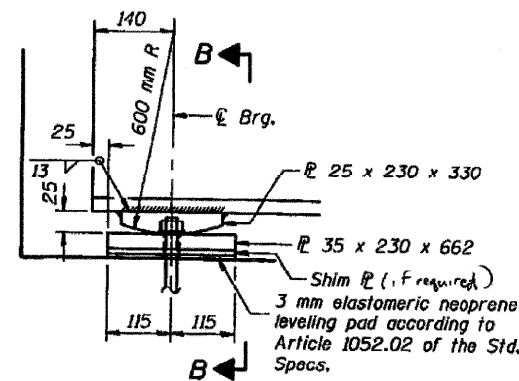
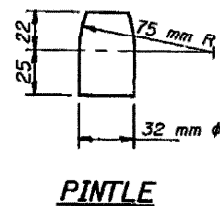
Note: Shim plates shall not be placed under Bearing Assembly.



Equivalent rolled angle with stiffeners will be allowed in lieu of welded plates. Weight included with Structural Steel.



Note: Prior to ordering any materials the Contractor shall verify in the field all bearing heights and dimensions.



Note: All dimensions are in millimeters (mm) except as noted.

BILL OF MATERIAL

Item	Unit	Total
Elastomeric Bearing Assembly Type I	Each	18
Furnishing and Erecting Structural Steel	kg	1,890
Jack and Remove Existing Bearings	Each	20
Removal of Existing Bearings	Each	16

BEARINGS
US 20 OVER C.C. & P. RAILROAD
F.A. ROUTE 301 - SEC. 1-VBR
WINNEBAGO COUNTY
STATION 21+549.213
STRUCTURE NO. 101-0049 & 101-0050

LOCATION 1 STRUCTURES 101-0049 & 101-0050

SHIVE HATTERY

DESIGNED	D. FENDER
CHECKED	M. WALTERS
DRAWN	D. FENDER
CHECKED	M. WALTERS

I-2-E1 (M) 4-30-97