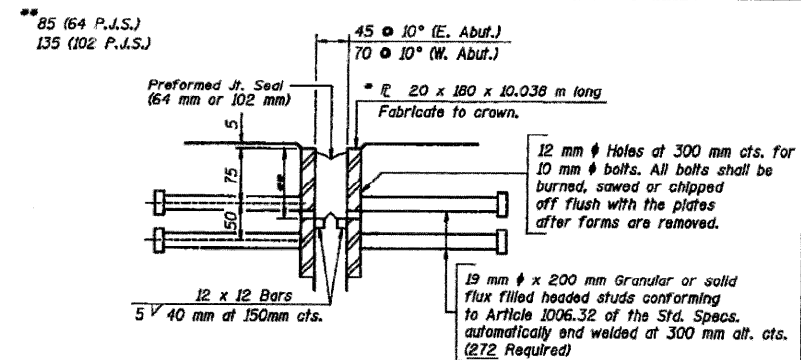
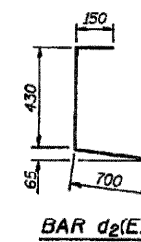
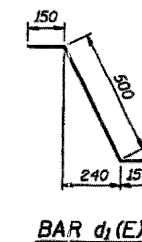
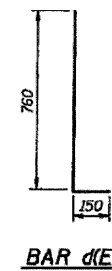
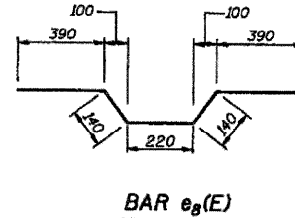
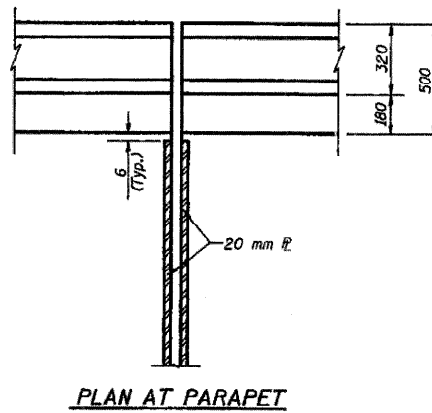
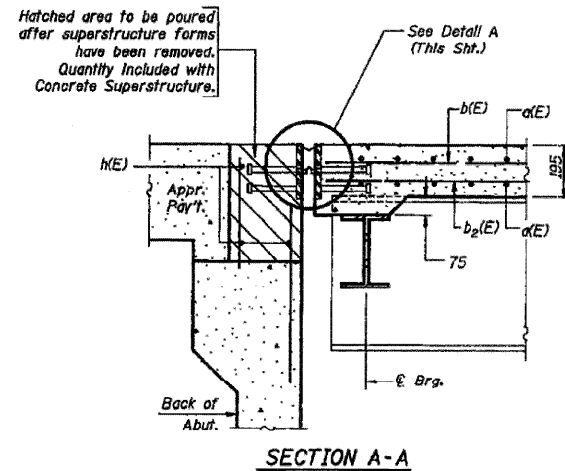
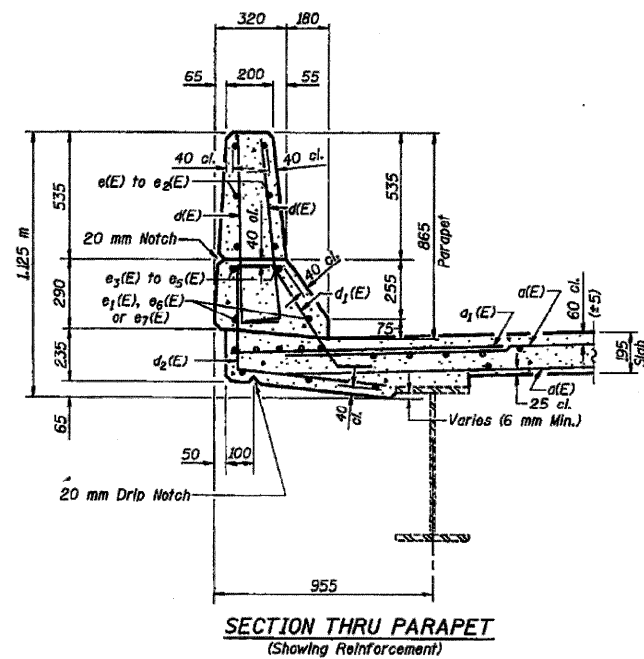
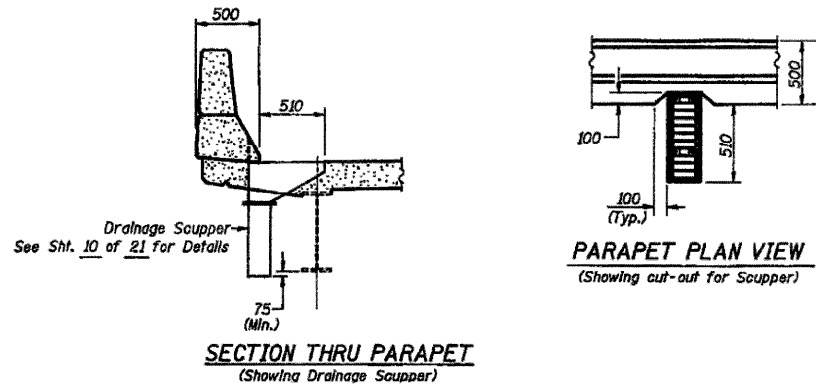


# FOR INFORMATION ONLY

STATE OF ILLINOIS  
DEPARTMENT OF TRANSPORTATION

ROUTE NO.	SECTION	COUNTY	TOTAL SHEETS	SHEET NO.
F.A.P. 301	3 VBR	WINNEBAGO	78	56
FED. ROAD DIST. NO.	ILLINOIS PROJECT			



\* Furnish in segments of 6 m maximum length. Maximum space between installed segments shall be 5 mm. Seal space with Silicone Sealant suitable for Structural Steel.

Notes: After fabrication all surfaces of the Steel Plates shall be given one shop coat of paint specified for Structural Steel. For End of Plate Detail see sheet 2 of 21.

**SUPERSTRUCTURE BILL OF MATERIAL**  
E.B. & W.B. STRUCTURES

Bar No.	Size	Length (m)	Shape
$d(E)$	1058	#15	10.85
$d_1(E)$	612	#20	1.20
$d_2(E)$	64	#15	0.60
$b(E)$	468	#15	8.57
$b_1(E)$	144	#20	10.01
$b_2(E)$	476	#15	7.42
$d(E)$	1364	#15	0.91
$d_1(E)$	712	#15	0.80
$d_2(E)$	652	#15	1.28
$e(E)$	144	#15	4.14
$e_1(E)$	128	#15	2.26
$e_2(E)$	72	#15	4.65
$e_3(E)$	16	#25	12.60
$e_4(E)$	32	#25	2.24
$e_5(E)$	16	#25	7.56
$e_6(E)$	32	#15	6.55
$e_7(E)$	16	#15	7.30
$e_8(E)$	8	#15	1.28
$h(E)$	12	#20	9.97
Reinforcement Bars, Epoxy Coated	kg	43480	
Concrete Superstructures	m <sup>3</sup>	286.4	
Preformed Joint Seal 64 mm	m	22.0	
Preformed Joint Seal 102 mm	m	22.0	
Protective Coat	m <sup>2</sup>	1254	
Bridge Deck Grooving	m <sup>2</sup>	984	

**SUPERSTRUCTURE DETAILS**

Date	Designed JMC	ILLINOIS U.S. ROUTE 20 OVER RAILROAD	Sheet No.
Revisions	Drawn SRS	F.A.P. RTE. 301 SECTION 3 VBR	8
	Checked KWB	WINNEBAGO COUNTY	
	Approved KWB	STA. 16+090.327	
		STRUCTURES NO. 101-0063 (EB) & 101-0064 (WB)	of 21
Prepared by:	WVP CORPORATION		WVP Job No.
	A Division of URS Group, Inc.		07000

LOCATION 2 STRUCTURES 101-0063 & 101-0064 • D2 Bridge Painting 2008-3

FILE NAME =	USER NAME = linkdj	DESIGNED -	REVISED -
P:\PAINTING\64D91\paint2008-3.dgn		DRAWN -	REVISED -
		CHECKED -	REVISED -
		DATE -	REVISED -

DESIGNED -	REVISED -
DRAWN -	REVISED -
CHECKED -	REVISED -
DATE -	REVISED -

STATE OF ILLINOIS  
DEPARTMENT OF TRANSPORTATION

EXISTING BRIDGE PLANS

SCALE: SHEET NO. OF SHEETS STA. TO STA.

F.A.P. RTE.	SECTION	COUNTY	TOTAL SHEETS	SHEET NO.
301		WINNEBAGO	19	12
CONTRACT NO. 64D91			ILLINOIS FED. AID PROJECT	