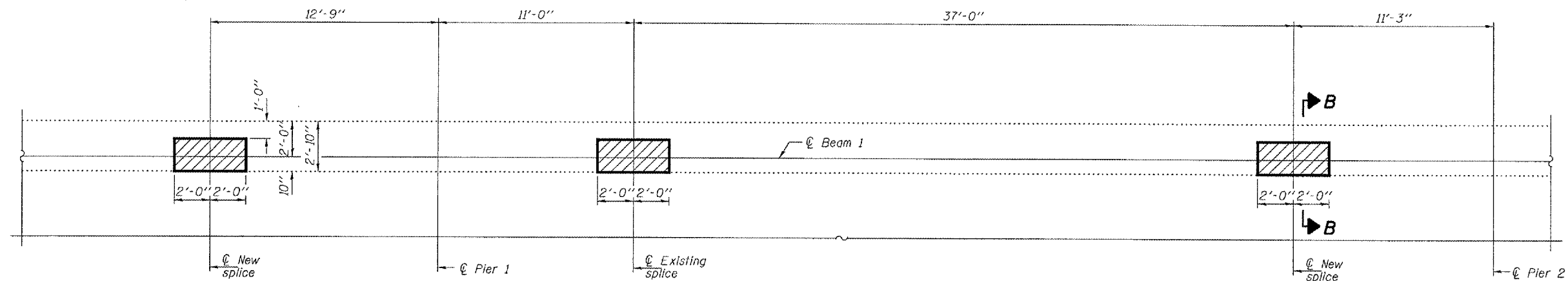


STATE OF ILLINOIS
DEPARTMENT OF TRANSPORTATION

ROUTE NO.	SECTION	COUNTY	TOTAL SHEETS	SHEET NO.
FAI 80		LA SALLE	11	10
FED. ROAD DIST. NO. 7	ILLINOIS	FED. AID PROJECT		

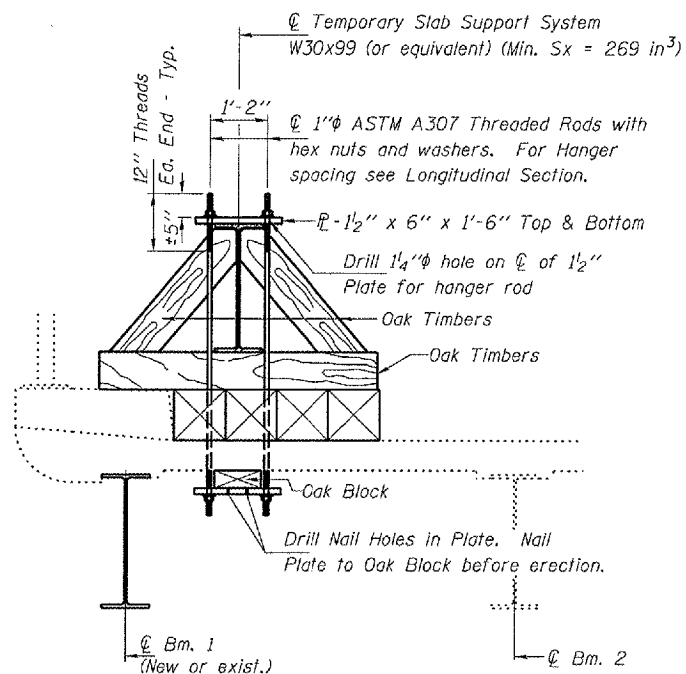
SHEET NO. 2
3 SHEETS

Contract Number: 66758

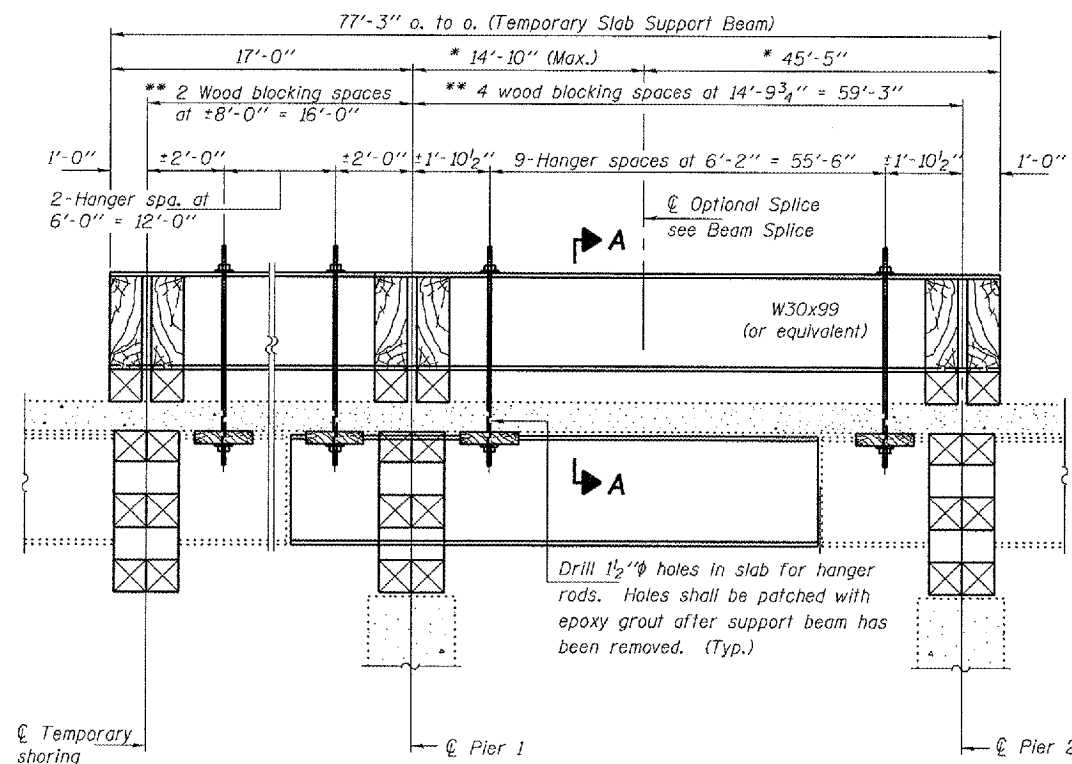


CONCRETE REMOVAL AND REPLACEMENT

Hatched areas indicate concrete sections to be removed and replaced. Perimeters of concrete removal areas shall be saw cut $\frac{3}{4}$ " prior to the removal of concrete. Reinforcement shall be cut only if required for fitting bolts. Cut reinforcement shall be spliced as directed by the Engineer. Cost shall be included with Concrete Removal.

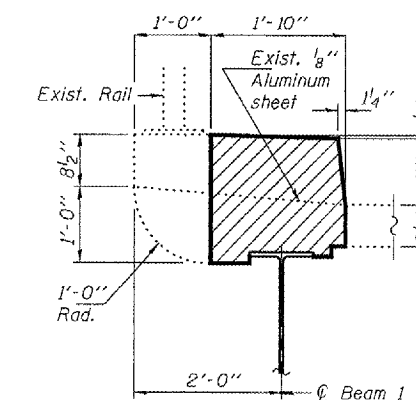


SECTION A-A



**LONGITUDINAL SECTION
SUGGESTED TEMPORARY SLAB SUPPORT SYSTEM**

* These dimensions may vary for available beams in stock.
** Wood blocking between piers & abutment to be placed after support beam deflects under its own weight.



SECTION B-B

**REPLACEMENT DETAILS
SA RD 9-D over FAI 80
LA SALLE COUNTY
SN 050-0081**

DESIGNED	AJB
CHECKED	ATH
DRAWN	baliva
CHECKED	AJB ATH

MARCH 3, 2008
EXAMINED *Carl Perry*
ENGINEER OF STRUCTURAL SERVICES
PASSED *Ralph E. Anderson*
ENGINEER OF BRIDGES AND STRUCTURES