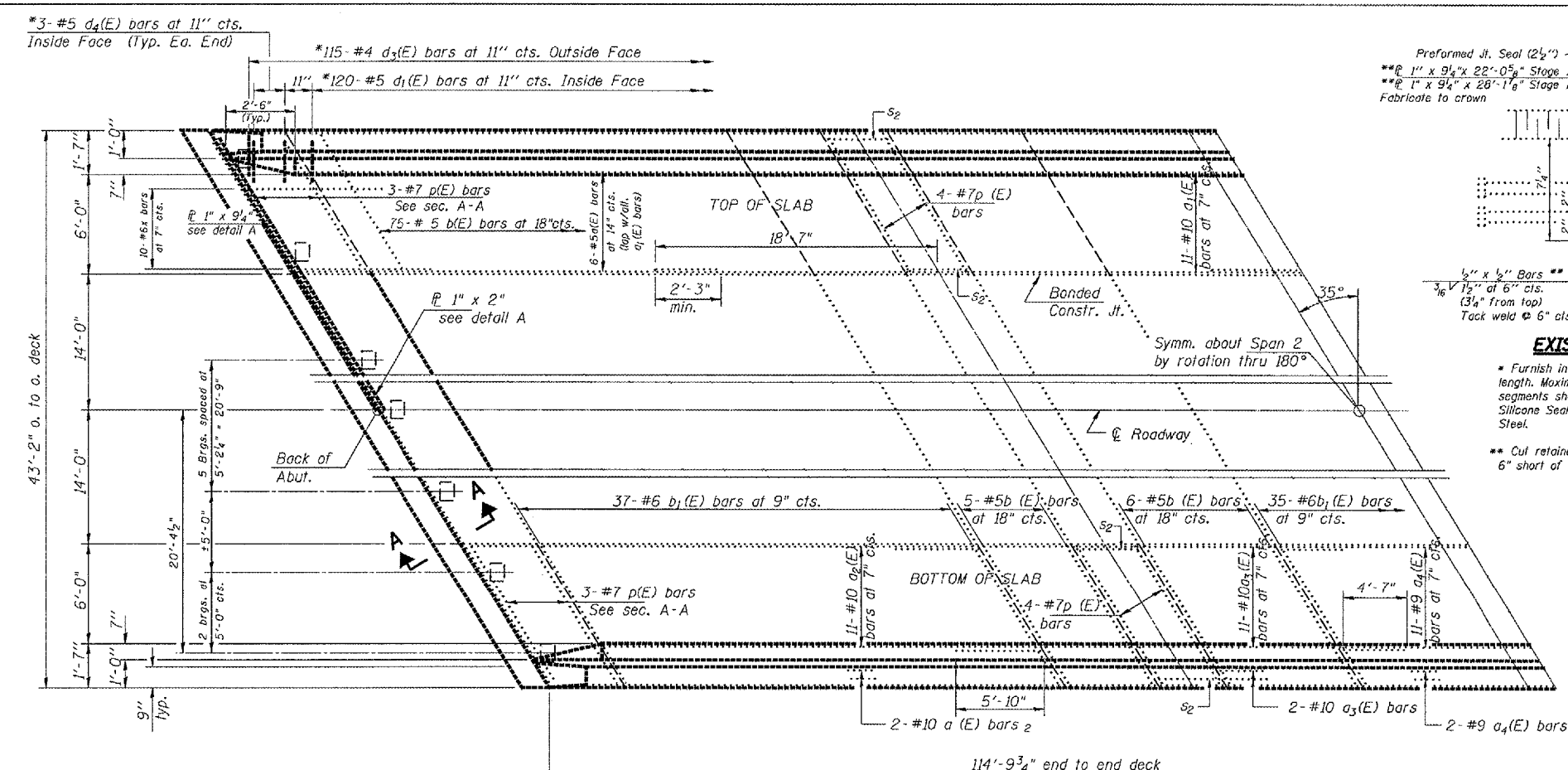


F.A.P. RTE.	SECTION	COUNTY	TOTAL SHEETS	SHEET NO.
318	(218-11,208R1-1)	PUTNAM	25	16

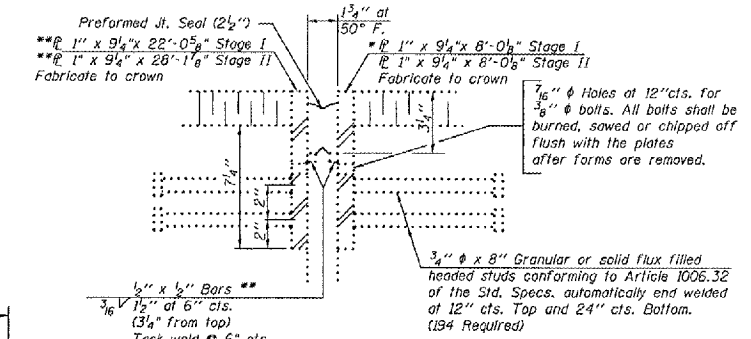
STA. * TO STA. *
 FED. ROAD DIST. NO. 4 ILLINOIS FED. AID PROJECT

* 078-0003 @ Sta. 126+97.50
 078-0005 @ Sta. 133+17.70



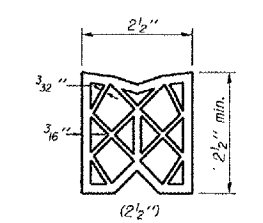
HALF PLAN

* Order a(E) and a₁(E) bars full length. Cut to fit skew and use remainder of bars in opposite end.

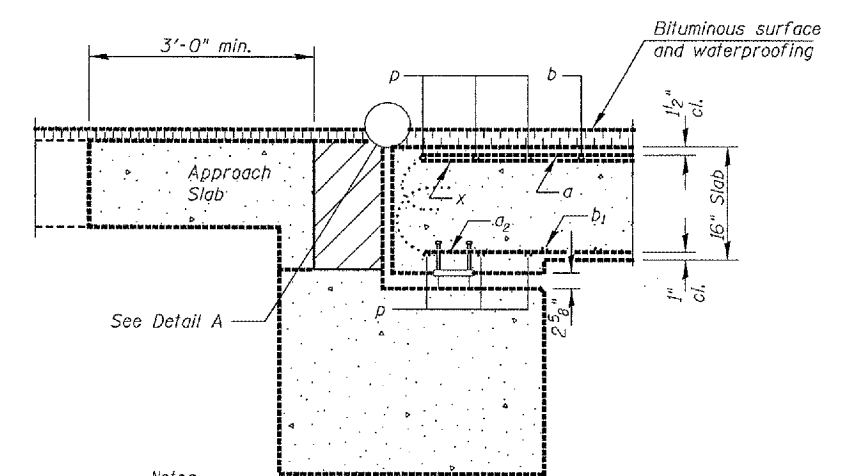


EXISTING DETAIL A

* Furnish in segments of 20 ft. maximum length. Maximum space between installed segments shall be 3/8". Seal space with Silicone Sealant suitable for Structural Steel.
 ** Cut retainer bars in sidewalk or median 6" short of the sidewalk or median face.

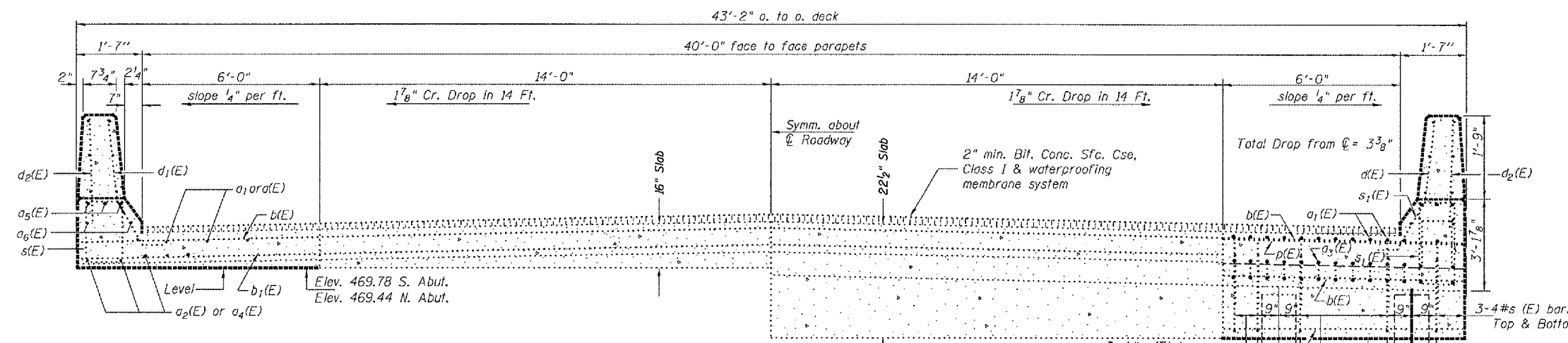


PREFORMED JOINT SEAL



SECTION A-A

Notes:
 All horizontal dimensions are at right angles to beam ends. Hatched area to be poured after beams are in place.



CROSS SECTION
 (Looking North)

FOR INFORMATION ONLY

SN.078-0003, IL.29 over Senachwine Crk.

REVISIONS	
NAME	DATE

ILLINOIS DEPARTMENT OF TRANSPORTATION
EXISTING SUPERSTRUCTURE DETAILS
 SCALE: VERT. HORIZ.
 DATE 11-13-2007
 DRAWN BY CEJ
 CHECKED BY

PLOT DATE = 11/13/07
 FILE NAME = I:\PROJECTS\68713\BRIDGE\CONTRACTS\68713\11-13-07\SenachwineCrk.dwg
 PLOT SCALE = 1/8" = 1'-0"
 REFERENCE = SHEET #