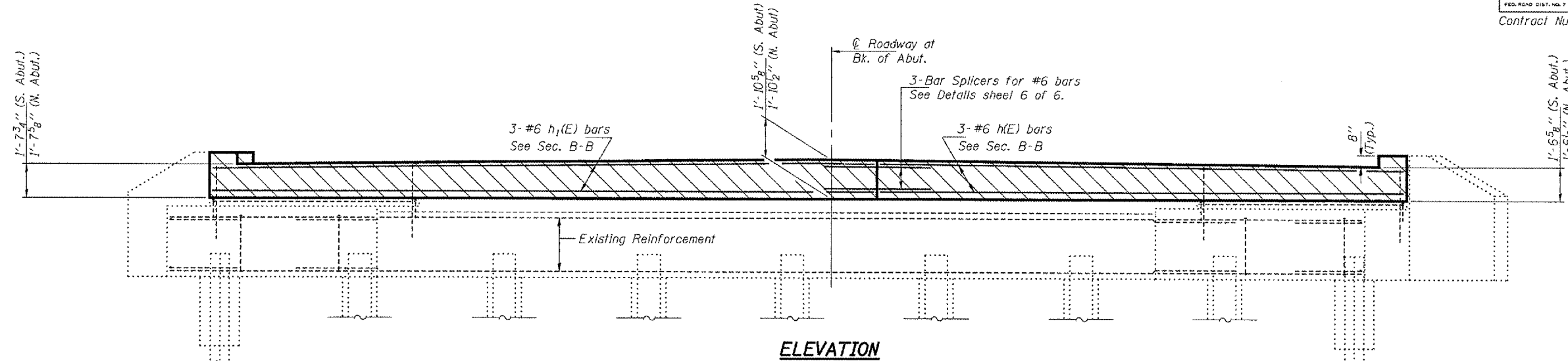


STATE OF ILLINOIS  
DEPARTMENT OF TRANSPORTATION

ROUTE NO.	SECTION	COUNTY	SHEETS	SHEET
FA 63		PUTNAM	25	20
FED. ROAD DIST. NO. 7	ILLINOIS	FED. AID PROJECT		

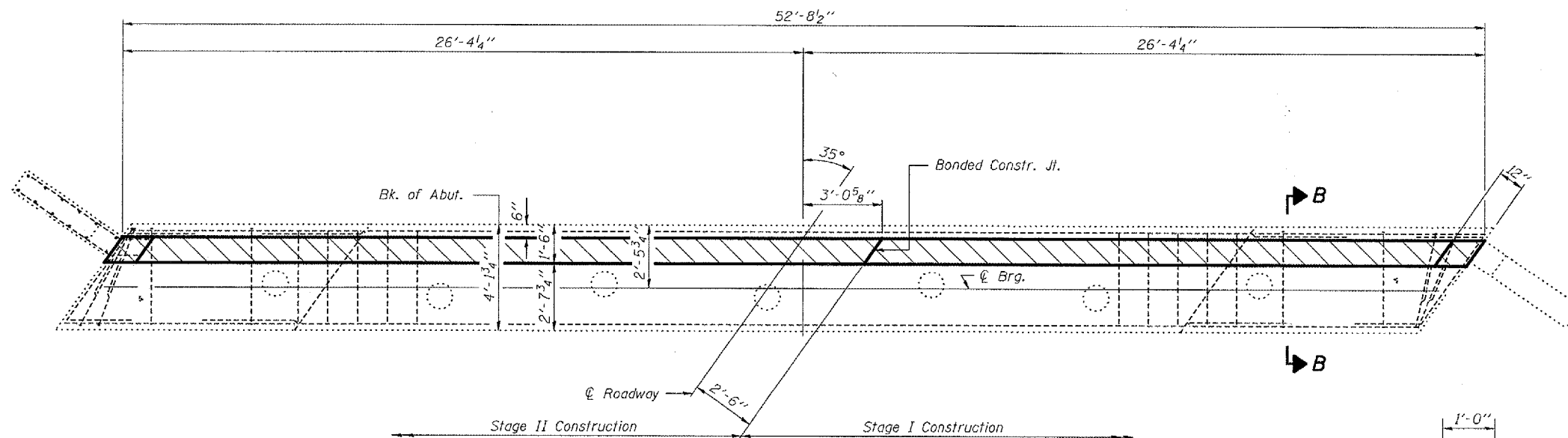
SHEET NO. 4  
6 SHEETS

Contract Number: 68713



**ELEVATION**

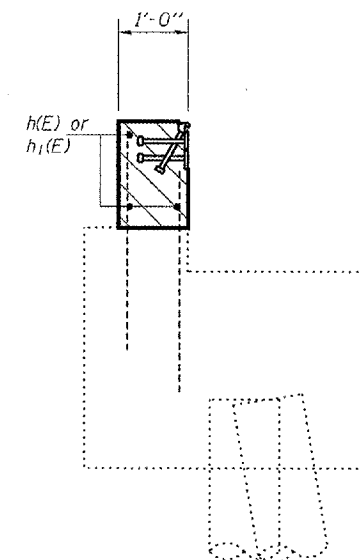
(South Abutment Shown)  
North Abutment Similar by 180° Rotation



**PLAN**

(South Abutment Shown)  
North Abutment Similar by 180° Rotation

Note:  
Hatched areas indicate Concrete  
Removal and Concrete Superstructure.



**SECTION B-B**

DESIGNED	ATH
CHECKED	AJB
DRAWN	Steffen
CHECKED	ATH AJB

MARCH 5, 2008  
EXAMINED *Carl Hayes*  
ENGINEER OF STRUCTURAL SERVICES  
PASSED *Ralph E. Anderson*  
ENGINEER OF BRIDGES AND STRUCTURES

**REPAIR DETAILS**  
**F.A. ROUTE 63 OVER**  
**SENACHWINE CREEK**  
**PUTNAM COUNTY**  
**SN 078-0003**