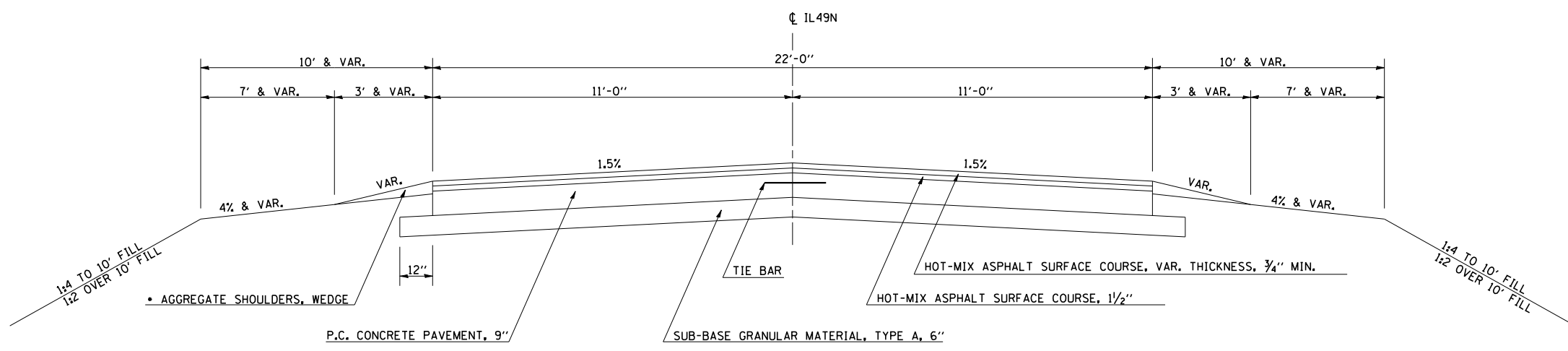


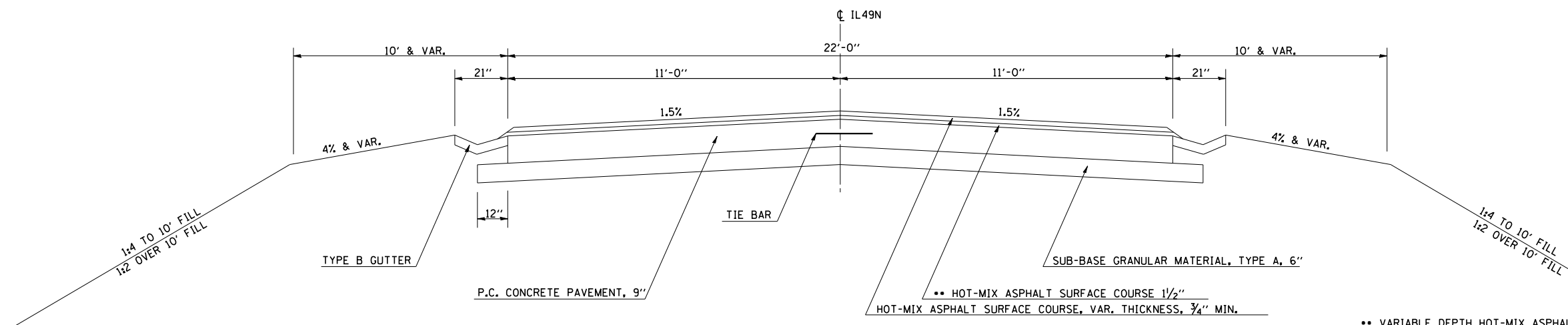
F.A.I. RTE.	SECTION	COUNTY	TOTAL SHEETS	SHEET NO.
74		VERMILION	71	10

(10,92-8 HB-4) BR  
CONTRACT NO. 70001



**EXISTING TYPICAL CROSS SECTION**  
F.A.P. 840 (IL. RTE. 49 N.)  
STATION 41+74.00 TO STATION 47+81.50  
STATION 52+18.50 TO STATION 58+24.00

• HOT-MIX ASPHALT SHOULDER, 8", VAR. WIDTH (FROM 2.4' TO 10.6')  
STA. 41+80.7 - STA. 44+12.0 (LT)  
STA. 55+90.2 - STA. 57+79.2 (LT)  
STA. 42+09.1 - STA. 44+09.8 (RT)  
STA. 55+90.8 - STA. 58+20.4 (RT)



**EXISTING TYPICAL CROSS SECTION**  
F.A.P. 840 (IL. RTE. 49 N.)  
STATION 47+81.50 TO STATION 49+07.25 (EX. BRIDGE)  
STATION 50+92.75 (EX. BRIDGE) TO STATION 52+18.50  
EX. BRIDGE OMISSION: STATION 49+07.25 TO STATION 50+92.75

•• VARIABLE DEPTH HOT-MIX ASPHALT RUNDOWN  
1/2" - STA. 47+81.50 - STA. 48+35.25  
1/2" TO 3/4" - STA. 48+35.25 - STA. 48+69.25  
3/4" TO 1 1/4" - STA. 48+69.25 - STA. 48+87.25  
1 1/4" - STA. 48+87.25 - STA. 49+07.25 (BRIDGE)  
1 3/4" - (BRIDGE) STA. 50+92.75 - STA. 51+12.75  
1 3/4" TO 3/4" - STA. 51+12.75 - STA. 51+29.75  
3/2" TO 1 1/2" - STA. 51+29.75 - STA. 51+64.75  
1/2" - STA. 51+64.75 - STA. 52+18.50

REVISIONS	
NAME	DATE

ILLINOIS DEPARTMENT OF TRANSPORTATION  
**TYPICAL SECTIONS**  
FAP 840 (IL 49 N)  
OVER I-74  
VERMILION COUNTY

SCALE: NONE  
DATE: 06/2003

DRAWN BY: IYL  
CHECKED BY: JH