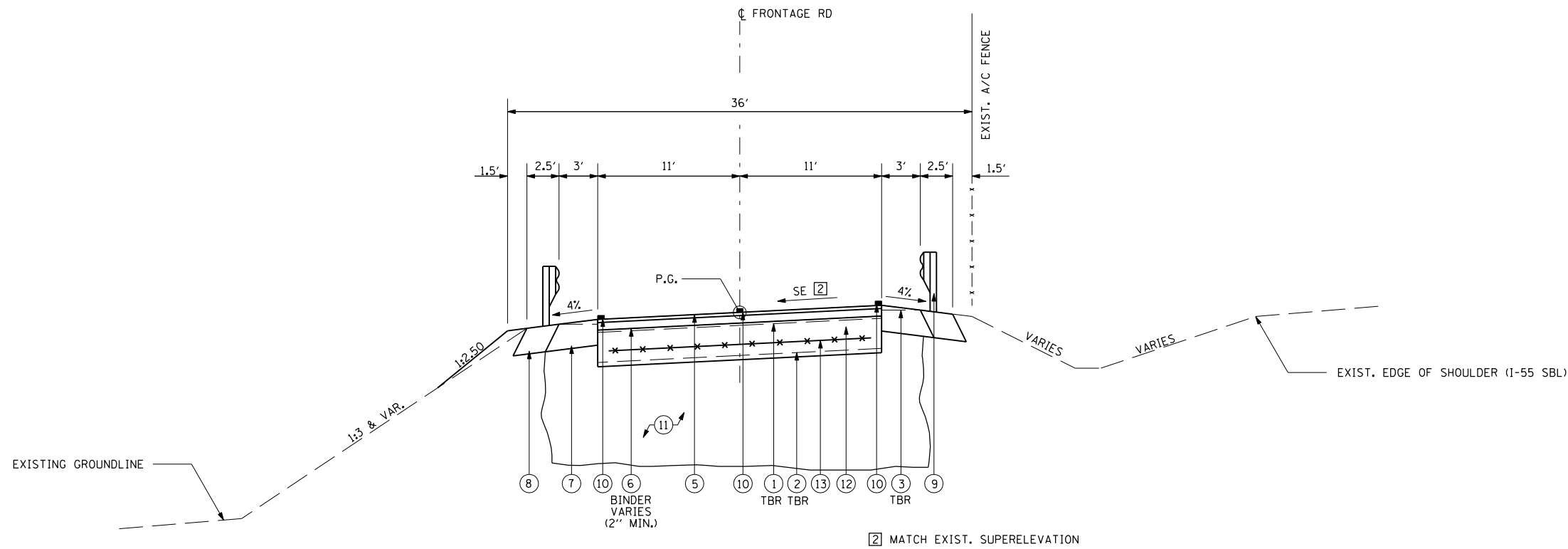
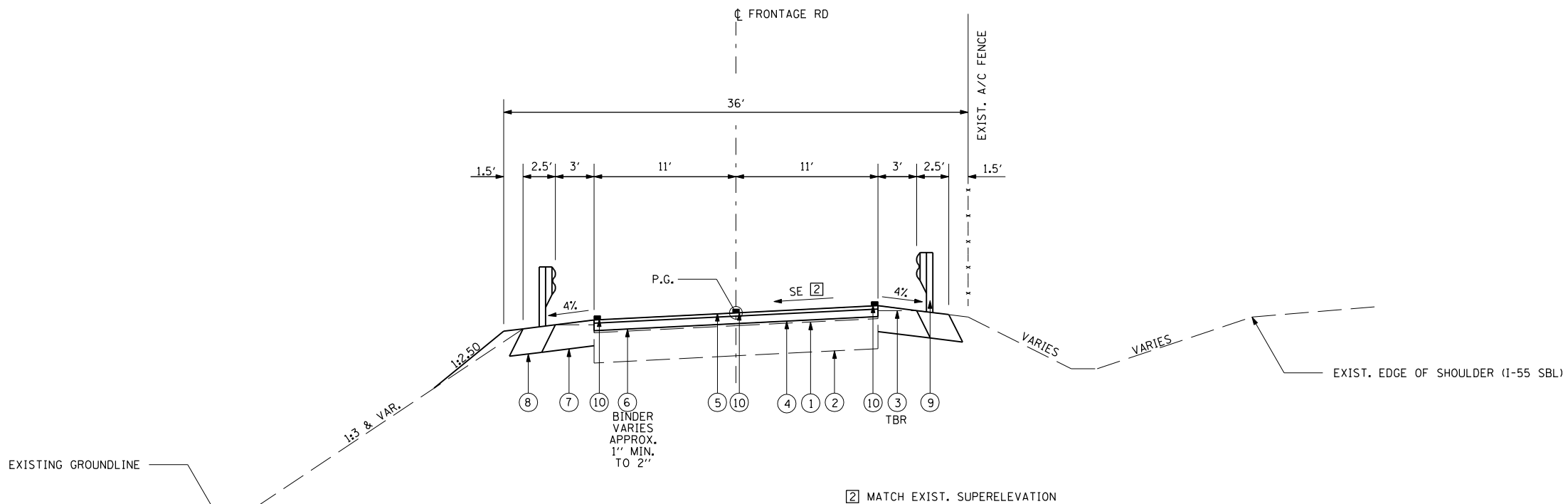


F.A.I. RTE.	SECTION	COUNTY	TOTAL SHEETS	SHEET NO.
55	(84-2B-1) I-1	SANGAMON	31	6
FED. ROAD DIST. NO.	ILLINOIS	FED. AID PROJECT		
CONTRACT NO. 72349				



**PROPOSED TYPICAL SECTION**  
STA. 36+91.84 TO STA. 37+06.84



**PROPOSED TYPICAL SECTION**  
STA. 37+06.84 TO STA. 38+59.00

**LEGEND**

- ① EXIST. HMA PAVEMENT 3"
- ② EXIST. STABILIZED BASE COURSE 7"
- ③ EXIST. AGGREGATE SHOULDER
- ④ PROP. HMA SURFACE REMOVAL (VARIABLE DEPTH)
- ⑤ PROP. HMA SURFACE COURSE, SUPERPAVE, MIXTURE C, N50 (1 1/2")
- ⑥ PROP. HMA BINDER COURSE, SUPERPAVE, N50 (VARIABLE DEPTH)
- ⑦ PROP. HMA SHOULDER 6"
- ⑧ PROP. AGGREGATE SHOULDER, TYPE B 6"
- ⑨ PROP. STEEL PLATE BEAM GUARDRAIL, TYPE A
- ⑩ PROP. PAINT PAVEMENT MARKING - LINE 5"
- ⑪ PROP. BACKFILL PER SPECIAL PROVISIONS
- ⑫ PROP. PCC PAVEMENT, 8" (STD. 420601)
- ⑬ PROP. PAVEMENT FABRIC 6x6-W1.4xW1.4 (STD. 420701)

REVISIONS	
NAME	DATE

ILLINOIS DEPARTMENT OF TRANSPORTATION  
**PROPOSED TYPICAL SECTIONS**  
**SHEET 2 OF 2**  
DRAWN BY NJV/MLO  
CHECKED BY BKB/SJK  
DATE 3/03