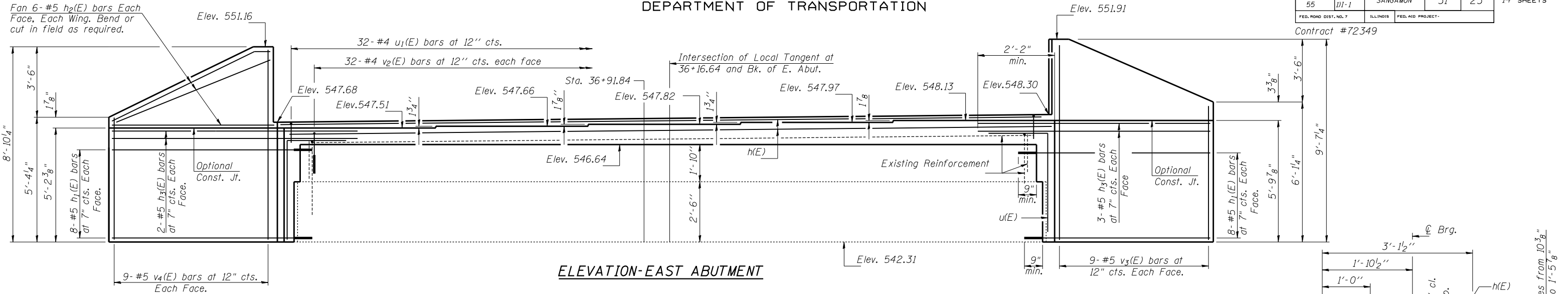


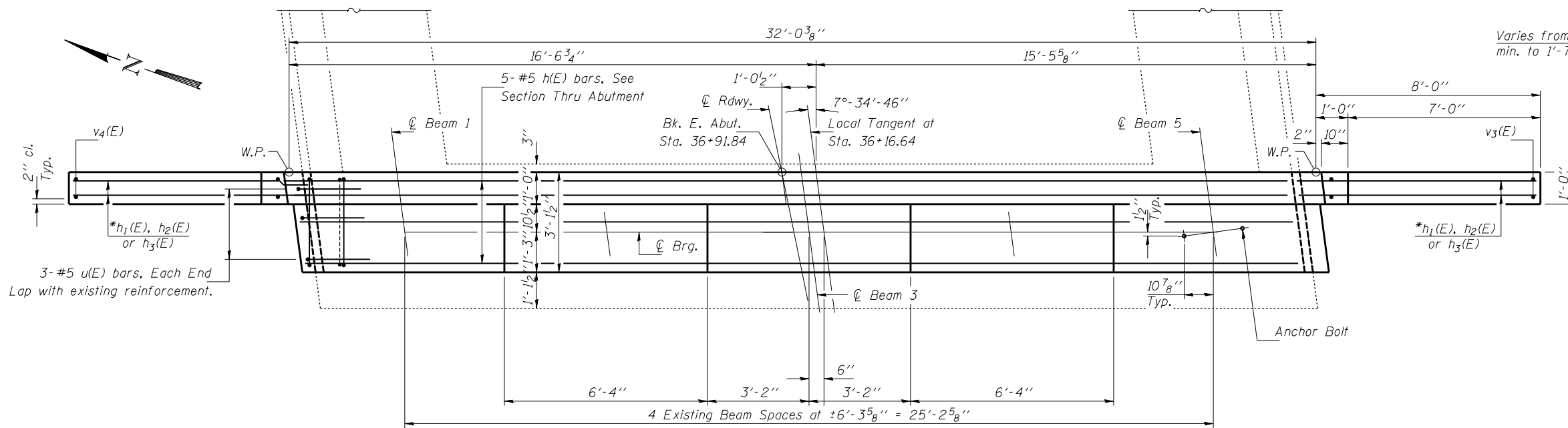
STATE OF ILLINOIS
DEPARTMENT OF TRANSPORTATION

ROUTE NO.	SECTION	COUNTY	TOTAL SHEETS	SHEET NO.	SHEET NO. 14
F.A.I. 55	(84-2B-1)I-1	SANGAMON	31	23	14 SHEETS
FED. ROAD DIST. NO. 7	ILLINOIS	FED. AID PROJECT-			

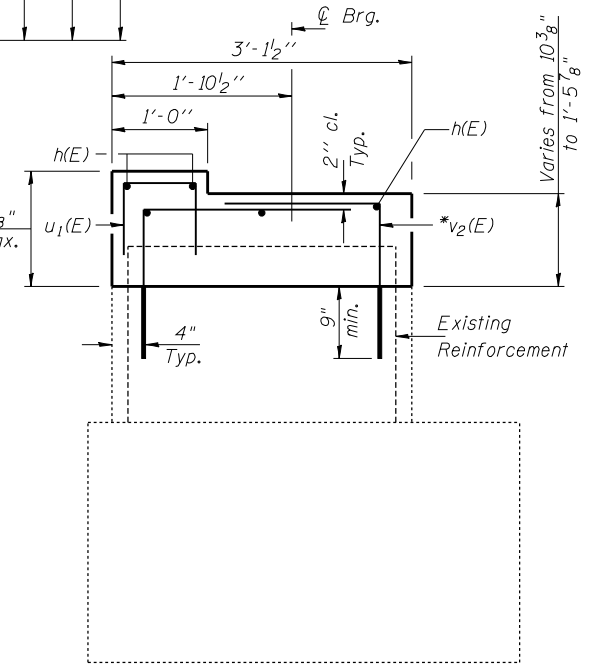
Contract #72349



ELEVATION-EAST ABUTMENT



PLAN-EAST ABUTMENT
(Looking East)



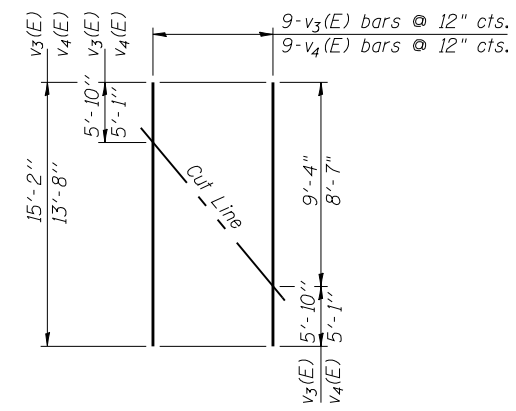
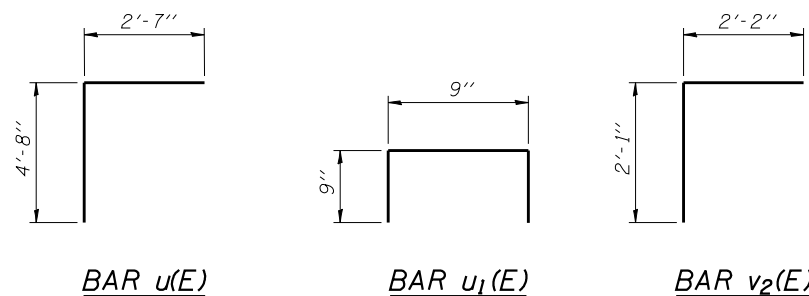
SECTION THRU ABUTMENT

BILL OF MATERIAL

Bar	No.	Size	Length	Shape
h(E)	5	#5	31'-9"	—
h1(E)	32	#5	9'-6"	—
h2(E)	24	#5	8'-5"	—
h3(E)	10	#5	10'-2"	—
u(E)	6	#6	7'-3"	└
u1(E)	32	#4	2'-3"	└
v2(E)	64	#4	4'-3"	└
v3(E)	9	#5	15'-2"	—
v4(E)	9	#5	13'-8"	—
Concrete Structures			Cu. Yd.	8.7
Reinforcement Bars, Epoxy Coated			Pound	1370
Structure Excavation			Cu. Yd.	123.8

* Epoxy grout h1(E) and v2(E) bars in 9" min. drilled holes according to Section 584 of the Standard Specifications.

Notes:
Pour steps monolithically with cap.
Reinforcement bars designated (E) shall be epoxy coated.
Space drilled holes in cap and footing to miss existing reinforcement.



FIELD CUTTING DIAGRAM
Order v3(E) & v4(E) bars full length.
Cut to fit as shown and use remainder of bars in other face.

DESIGNED Tom L. Kurtenbach
CHECKED Philip E. Coppennoll
DRAWN John F. Schneller Jr.
CHECKED T.L.K. / P.E.C.

March 5, 2008
EXAMINED Thomas J. Domagalaki
PASSED Ralph E. Anderson

EAST ABUTMENT
F.A.I. ROUTE 55 - SEC. (84-2B-1)I-1
SANGAMON COUNTY
STATION 36+16.64
STRUCTURE NO. 084-0025