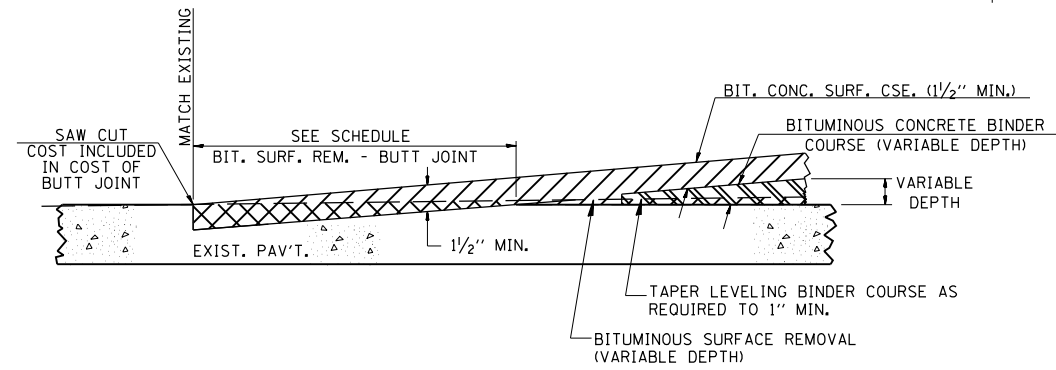
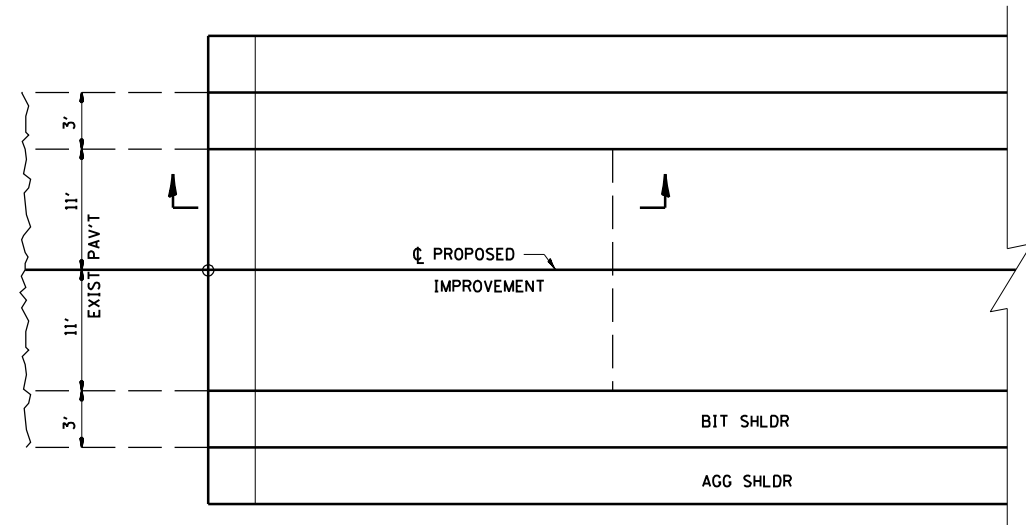


BUTT JOINT DETAIL



F.A.I. RTE.	SECTION	COUNTY	TOTAL SHEETS	SHEET NO.
55	(84-2B-1) I-1	SANGAMON	31	24

FED. ROAD DIST. NO. ILLINOIS FED. AID PROJECT

CONTRACT NO. 72349

c:\projects\652101\pwc final\detail1.dgn
DATE

REVISIONS	
NAME	DATE

ILLINOIS DEPARTMENT OF TRANSPORTATION

ROADWAY DETAILS

SCALE: NONE
DATE 2/03

DRAWN BY NJV
CHECKED BY BKB