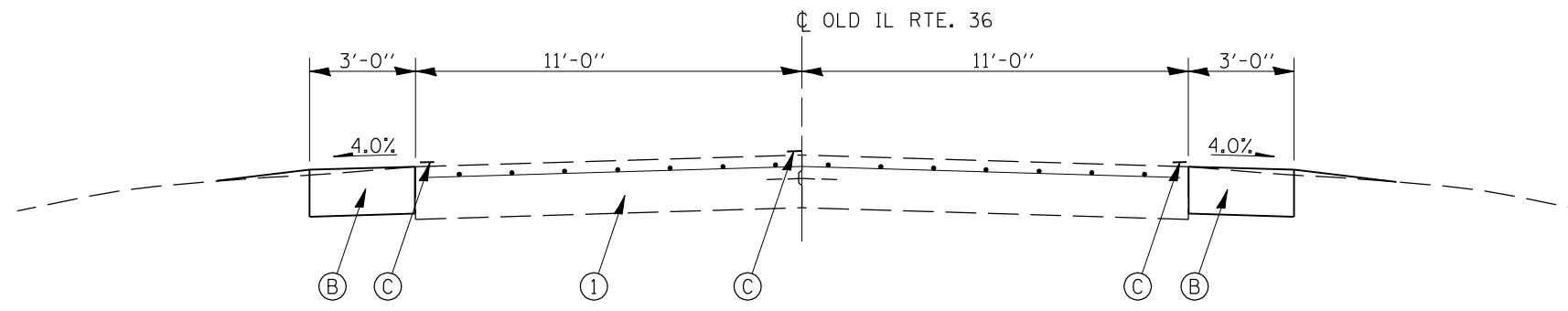
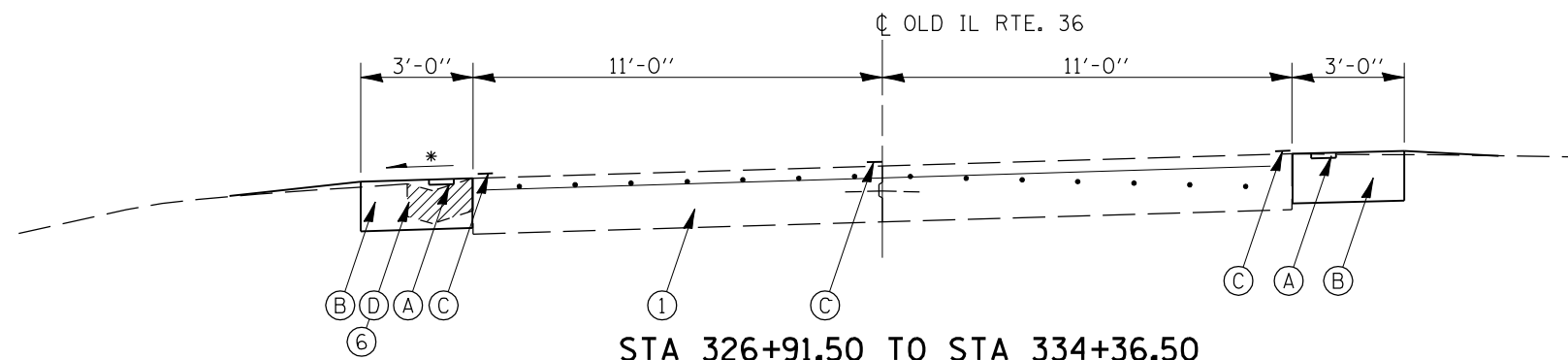


**STA 215+36.33 TO STA 299+00.00**  
**STA 317+00.00 TO STA 326+91.50**



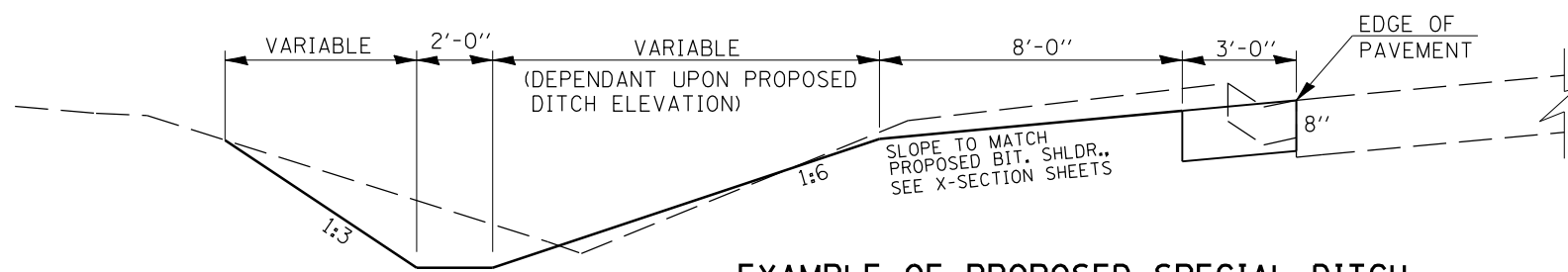
**STA 299+00.00 TO STA 317+00.00**



**STA 326+91.50 TO STA 334+36.50**

**LEGEND**

- (1) EXISTING PCC PAVEMENT, 9"
- (2) EXISTING GRANULAR MATERIAL SUB-BASE, 4"
- (3) EXISTING BIT. CONC. BINDER & SURFACE COURSES
- (4) EXISTING BITUMINOUS CONCRETE SHOULDERS, 13 1/2"
- (5) EXISTING CONCRETE CURB & GUTTER, TYPE M-6.12
- (6) EXISTING CONCRETE TYPE B V-GUTTER (STD. 1914 T)
- (7) EXISTING CONCRETE MEDIAN SURFACE, 4"
- (8) EXISTING COMBINATION CURB & GUTTER
- (A) PROPOSED RUMBLE STRIP
- (B) PROPOSED HOT-MIX ASPHALT SHOULDER, 8"
- (C) PROPOSED PAINT PAVEMENT MARKING-LINE, 5"
- (D) PROPOSED CONCRETE V-GUTTER REMOVAL
- (E) PROPOSED COMBINATION CURB REMOVAL



**EXAMPLE OF PROPOSED SPECIAL DITCH**  
**(STA. 325+50 TO STA. 336+00 LEFT)**

\* - D-6 RUMBLE STRIPS 2008-01

FILE NAME = c:\projects\d610607\shittyp.dgn	USER NAME = laughtinr1	DESIGNED - RTS	REVISED -
		DRAWN - RTS	REVISED -
		CHECKED -	REVISED -
		DATE - NOV 20, 2007	REVISED -

**STATE OF ILLINOIS**  
**DEPARTMENT OF TRANSPORTATION**

**TYPICAL CROSS SECTIONS**

SCALE: NONE    SHEET NO. 1 OF 2 SHEETS    STA. 215+36.33 TO STA. 334+36.50

FAS RTE.	SECTION	COUNTY	TOTAL SHEETS	SHEET NO.
1613	*	SANGAMON	20	4
OLD IL RTE. 36		CONTRACT NO. 72B29		
FED. ROAD DIST. NO.		ILLINOIS FED. AID PROJECT		