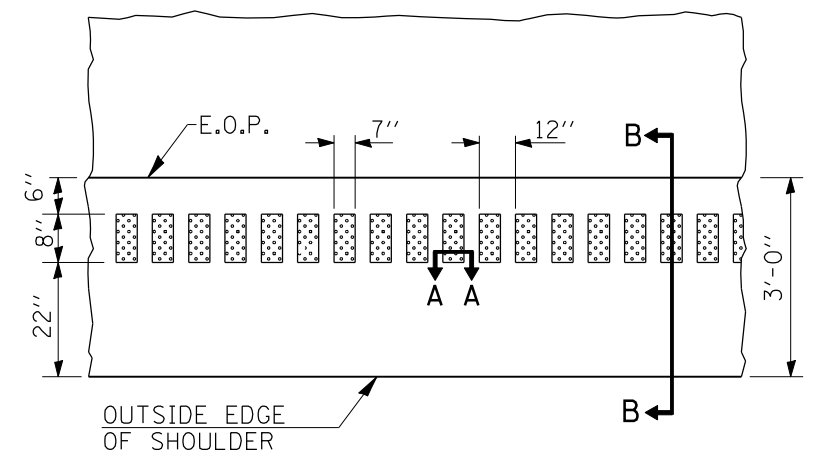
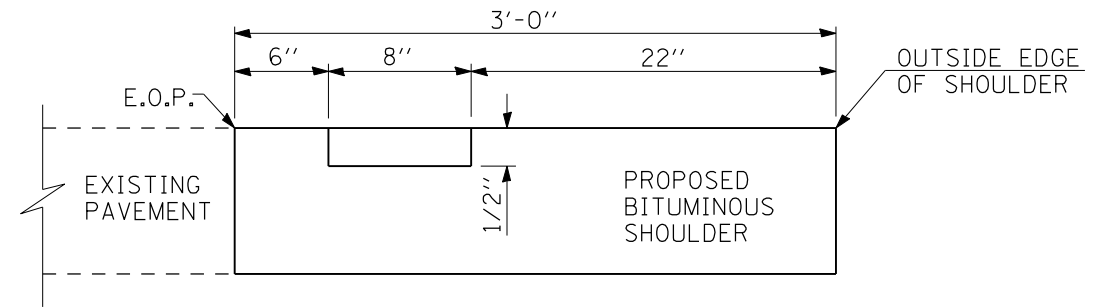


TAPER DETAIL FOR PROPOSED BITUMINOUS SHOULDERS

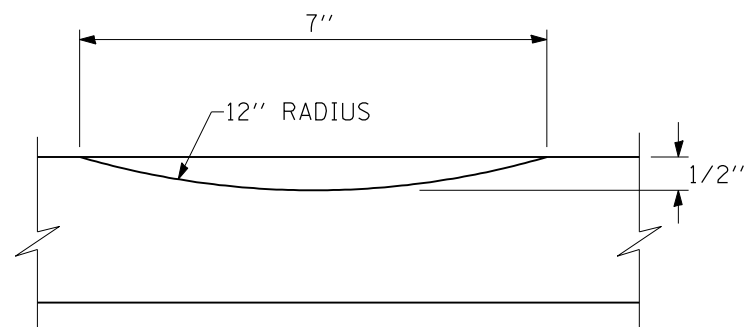
(TRANSITION WIDTH FOR PROPOSED BITUMINOUS SHOULDERS FROM 1'-0" TO 3'-0" WITHIN 10'-0")



PLAN VIEW



SECTION B-B



SECTION A-A

*-D-6 SHLDR RUMBLE STRIPS 2008-01

FILE NAME = c:\projects\d610907\shdtails.dgn	USER NAME = laughlin1	DESIGNED - RTS	REVISED - JAN. 15, 2008
		DRAWN - RTS	REVISED -
		CHECKED - MEB	REVISED -
		DATE - JAN. 12, 2008	REVISED -

**STATE OF ILLINOIS
DEPARTMENT OF TRANSPORTATION**

RUMBLE STRIP DETAILS

SCALE: NO SCALE SHEET NO. 1 OF 1 SHEETS STA. TO STA.

FAP RTE.	SECTION	COUNTY	TOTAL SHEETS	SHEET NO.
325	*	MACOUPIN	25	13
CONTRACT NO. 72B32				
FED. ROAD DIST. NO. ILLINOIS FED. AID PROJECT				