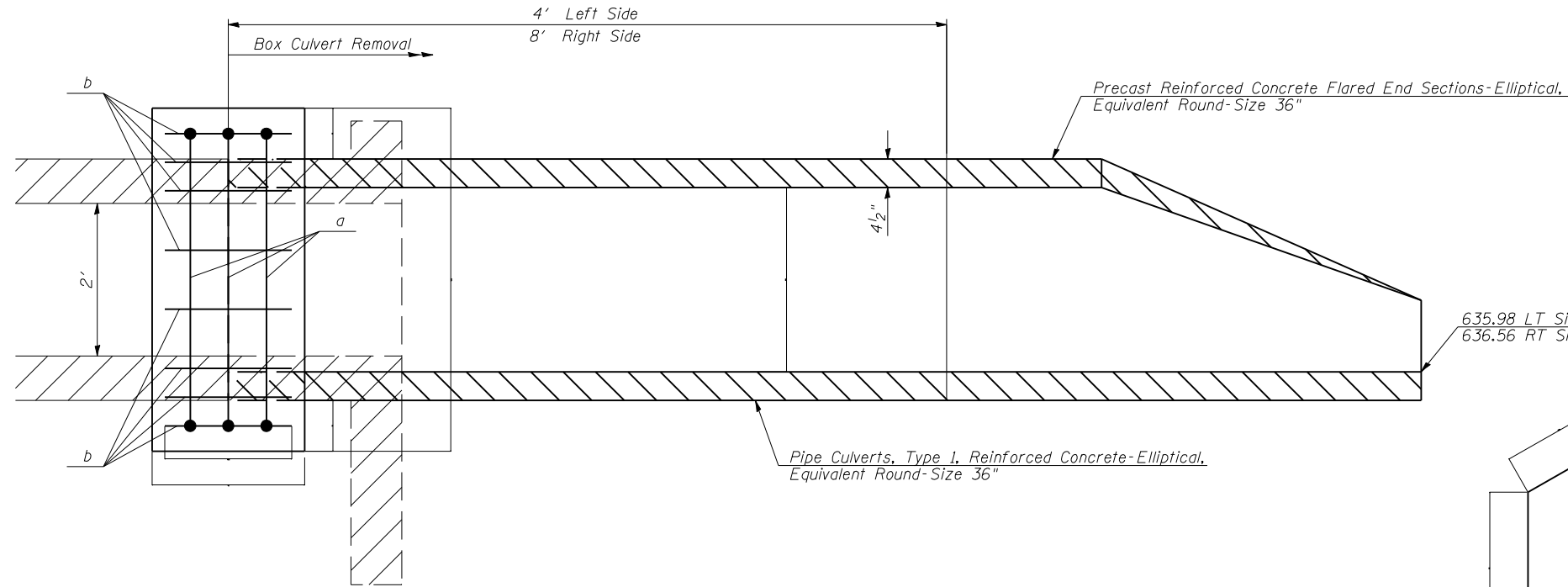


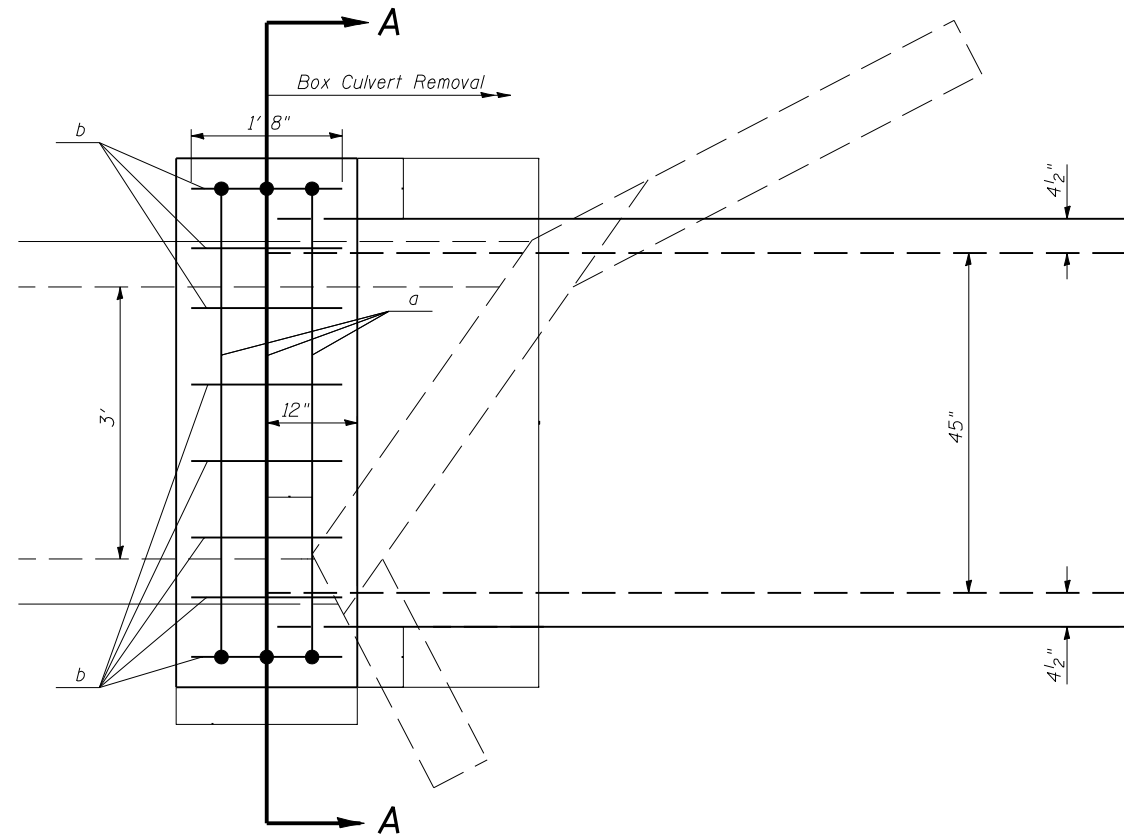
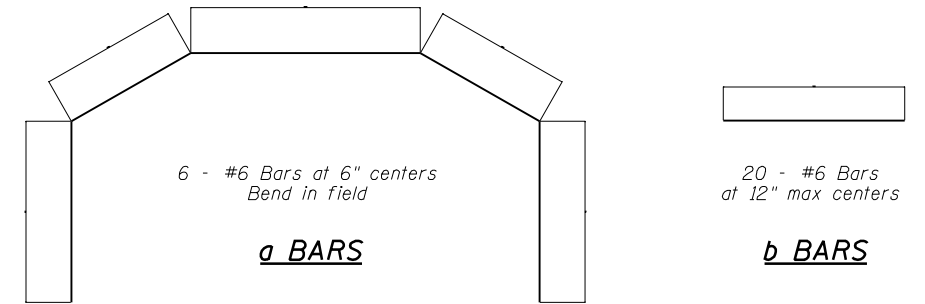
F.A.P. RTE.	SECTION	COUNTY	TOTAL SHEETS	SHEET NO.
325		MACOUPIN	25	18
STA.		TO STA.		
FED. ROAD DIST. NO.		ILLINOIS FED. AID PROJECT		
• D-6 SHLDR RUMBLE STRIPS 2008-03				



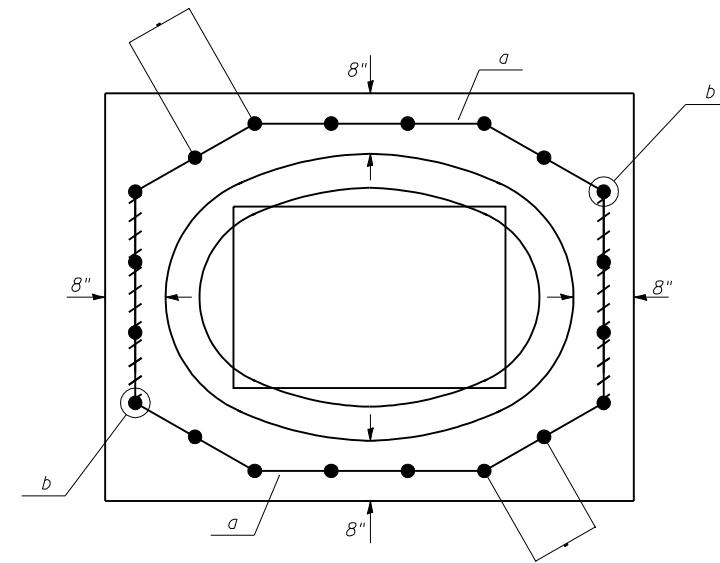
**ELEVATION**

- Notes**
- Class SI Concrete shall be used for the Collar
  - Reinforcement bars shall conform to the requirements of AASHTO M-31, M-42 or M-53, grade 60.
  - Reinforcement bars shall be bent in the field
  - Estimated Quantities for One Collar

Class SI Concrete 1.1 cy  
Reinforcement Bars 140 pound



**PLAN**



**SECTION A-A**

REVISIONS	
NAME	DATE

ILLINOIS DEPARTMENT OF TRANSPORTATION

**BOX CULVERT EXTENSION DETAILS**  
STA 59+89.53, 35° RT FWD  
EXISTING 3' X 2' BOX CULVERT

SCALE: VERT.  
HORIZ.  
DATE

DRAWN BY  
CHECKED BY