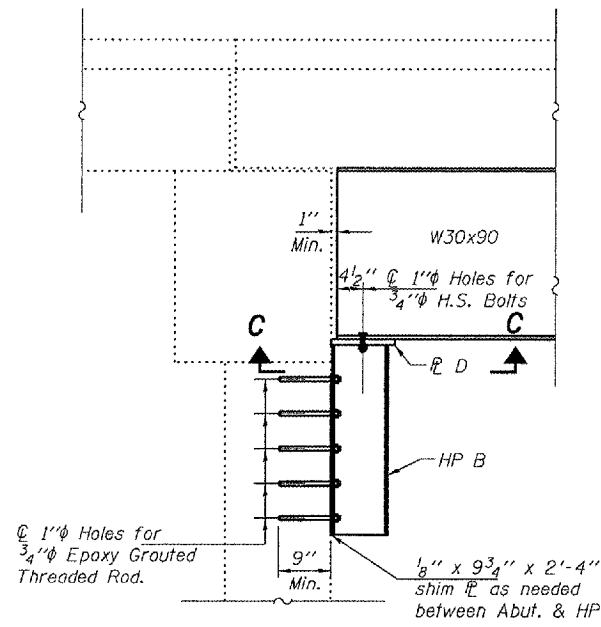


STATE OF ILLINOIS  
DEPARTMENT OF TRANSPORTATION

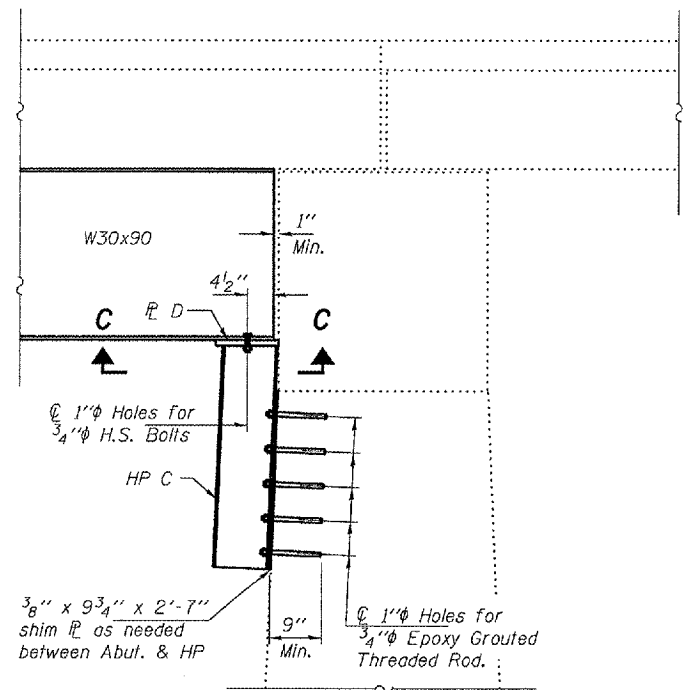
ROUTE NO.	SECTION	COUNTY	LIST SHEETS	SHEET
FAP 566		SCOTT	5	5
FED. ROAD DIST. NO. 7	ALL-INSTE	FED. AID PROJECT		

SHEET NO. 2  
2 SHEETS

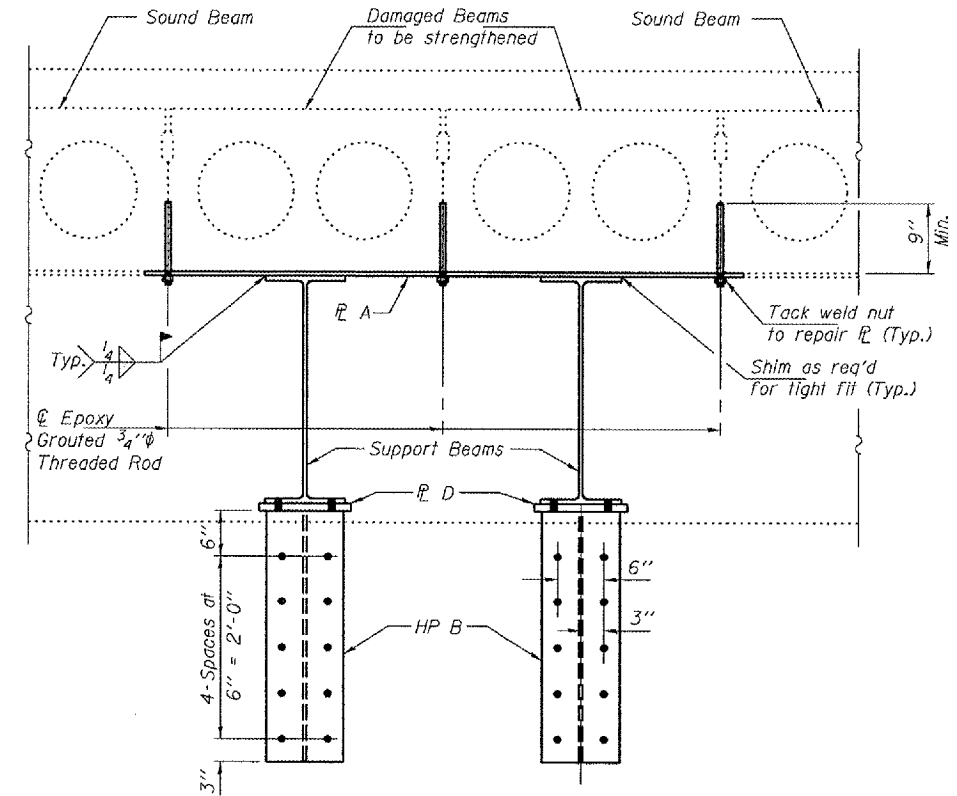
Contract Number: 72B56



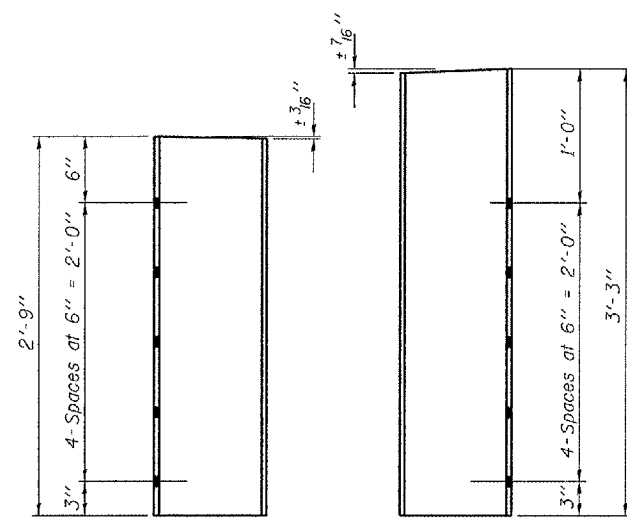
**SECTION THRU  
NORTH ABUTMENT**



**SECTION THRU PIER**

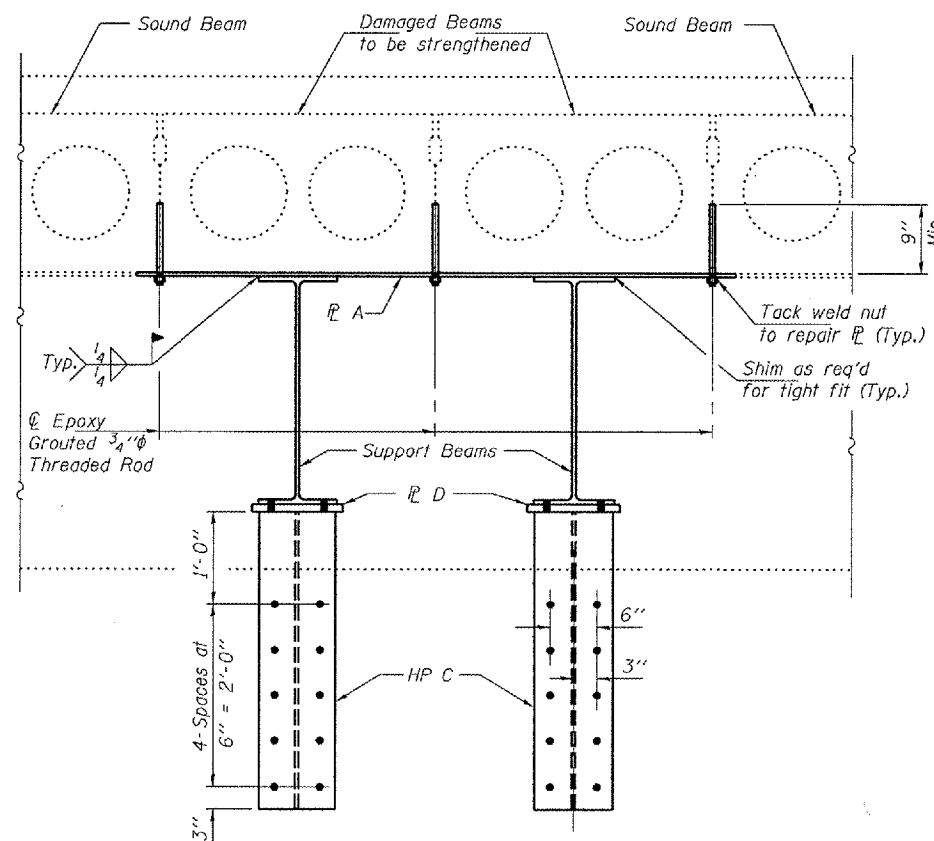


**SECTION A-A**

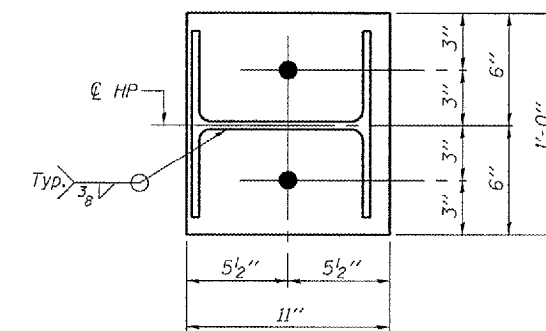


**HP B**  
HP10x42 x 2'-9"  
(2 Required)

**HP C**  
HP10x42 x 3'-3"  
(2 Required)



**SECTION B-B**



**SECTION C-C**  
HP D-1" x 1'-0" x 11"  
(4 Required)

DESIGNED	AJB
CHECKED	ATH
DRAWN	Steffen
CHECKED	AJB ATH

FEBRUARY 26, 2008  
EXAMINED *Carl P. ...*  
PASSED *Ralph E. Anderson*

**REPAIR DETAILS**  
**FAP 566 OVER**  
**BR. SANDY CREEK**  
**SCOTT COUNTY**  
**SN 086-0012**