

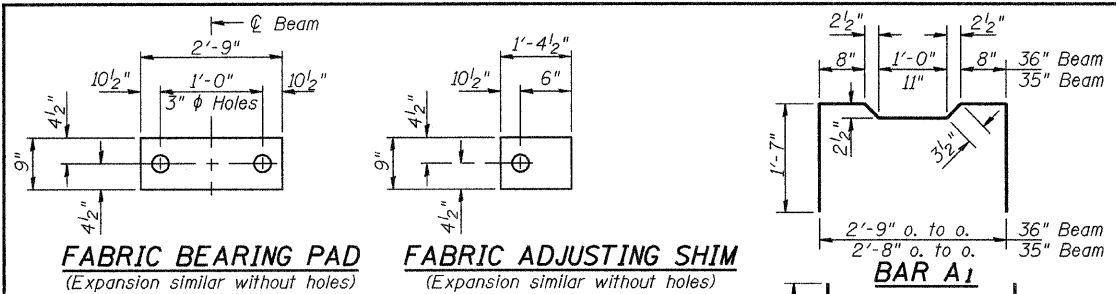
STATE OF ILLINOIS
DEPARTMENT OF TRANSPORTATION

**Limits of HMA removal.

ROUTE NO.	SECTION	COUNTY	TOTAL SHEETS	SHEET NO.
		Lawrence	11	10
FED. ROAD DIST. NO. 7	ILLINOIS	FED. AID PROJECT-		

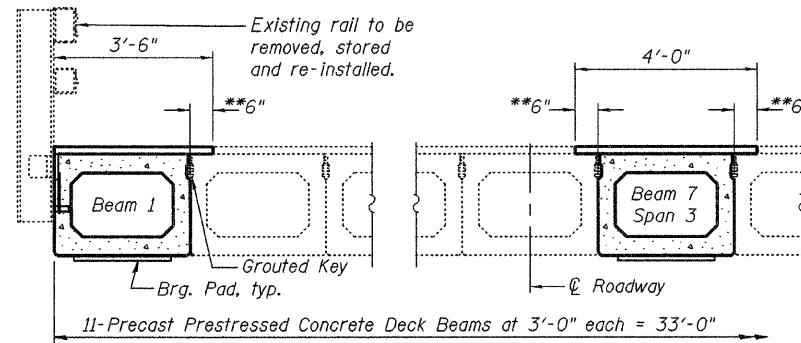
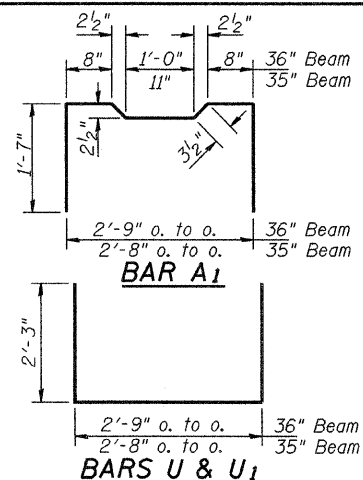
SHEET NO. 2
3 SHEETS

Contract Number: 74290



FABRIC BEARING PAD
(Expansion similar without holes)

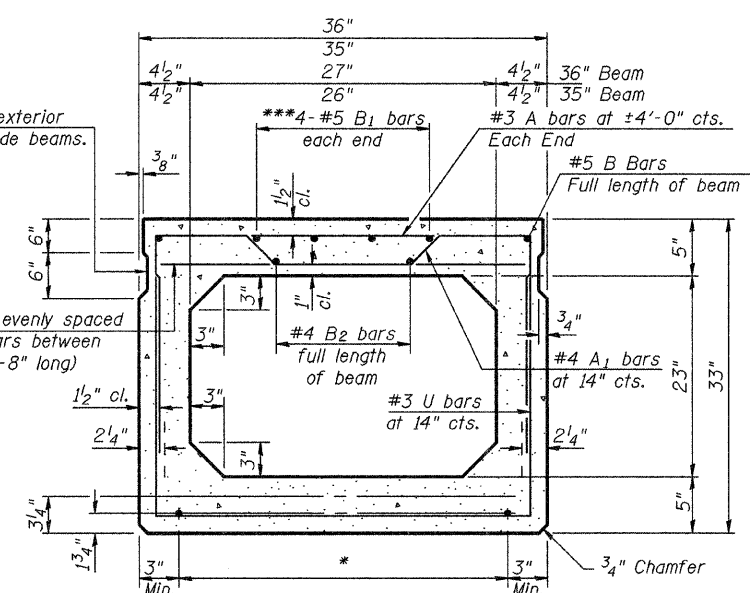
FABRIC ADJUSTING SHIM
(Expansion similar without holes)



HALF CROSS SECTION

Omit key on exterior face of outside beams.

2-#3 A bars evenly spaced between A1 bars between end blocks (2'-8" long)



TYPICAL SECTION

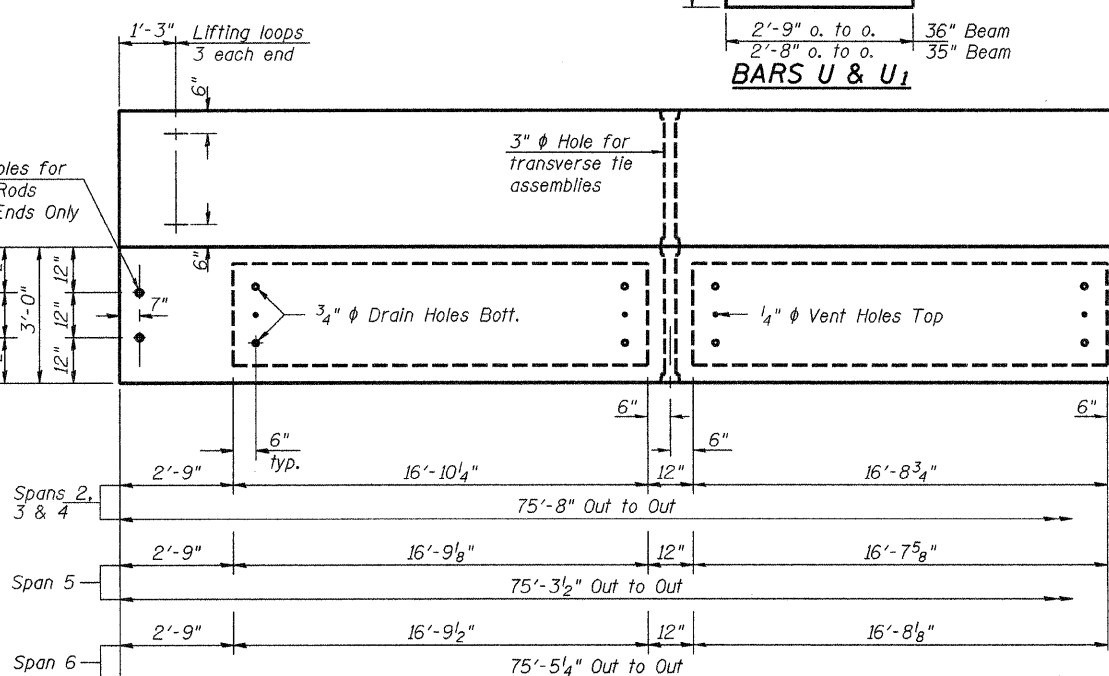
*** TRANSVERSE PLACEMENT GUIDELINES**

1. Place strands symmetrically about centerline of beam.
2. The minimum distance from center to center of strands in all directions shall be 2".
3. The minimum clearance from strand to dowel hole shall be 1/2".
4. The minimum clearance from strand to void shall be 1/2".

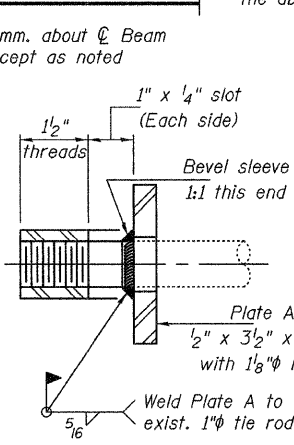
Vertical placement of strands shall not be adjusted to satisfy the above guidelines.

1/2" ϕ Strands, Each Strand Stressed to 30,900 Lbs.
8-Strands 1 3/4" up, 5-Strands 3/4" up, 2-Strands 6" up, 2-Strands 9" up

6" x 6" x 16 1/2" Blockout to be filled with Class BS Concrete after Beams have been installed. Cost shall be included in the cost of PPC Deck Beams.



PLAN



SECTION A-A

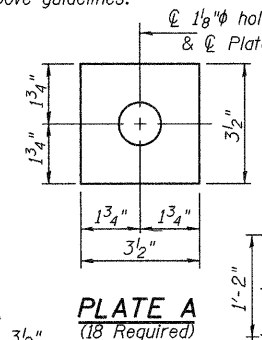
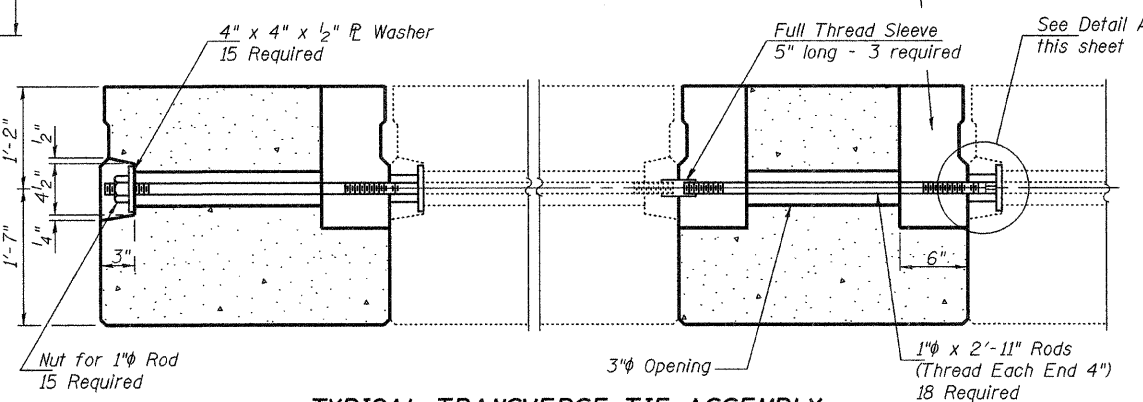


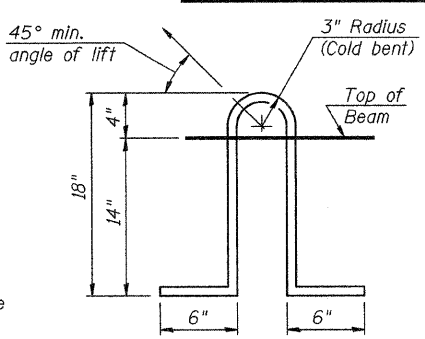
PLATE A
(18 Required)



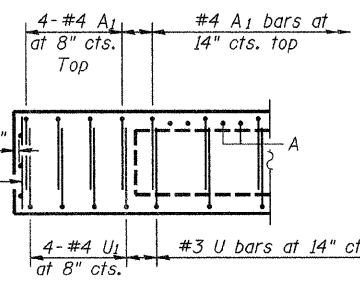
TYPICAL TRANSVERSE TIE ASSEMBLY

ELEVATION NEW JOINT R TO EXISTING JOINT R

Cost included with PPC Deck Beams.



LIFTING LOOP DETAIL

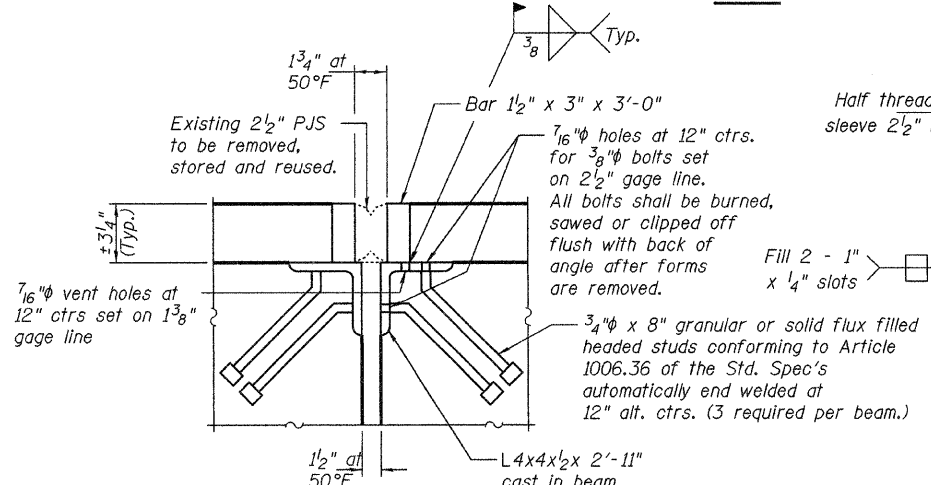


END ELEVATION

BILL OF MATERIAL

Precast Prestressed Conc. Deck Bms.	Sq. Ft.	1354
-------------------------------------	---------	------

BEAM DETAILS
S.B.I. RT. 1 / EMBARRAS RIVER
LAWRENCE COUNTY
SN 051-0006



JOINT DETAIL - PIERS 2 & 4

(Cost included with PPC Deck Beams)

DETAIL A

NOTES

Prestressing steel shall be uncoated high strength, low relaxation 7-wire strand, Grade 270. The nominal diameter shall be 1/2" and the nominal cross-sectional area shall be 0.153 sq. in. Lifting loops shall be 3 - 1/2" ϕ - 270 ksi strands, as shown. The 1" ϕ rods in the transverse tie assembly shall be tightened to a snug fit and the threads set. Pockets that receive transverse tie bar on outside shall be filled with grout after transverse tie assembly is in place. Non prestressing steel shall conform to ASTM A 706 (IL MOD), Grade 60. The bearing seat surfaces shall be adjusted by shimming to assure firm and even bearing. Two 1/8" fabric adjusting shims of the dimensions shown shall be provided for each bearing. Keyway surfaces shall be cleaned to remove form oil or other bond breaking material prior to shipment of the beams. Cleaning shall be done by sandblasting the keyway areas between top of the beam and the bottom edge of the key. Corrosion inhibitor, per Article 1020.05(b)(12) of the Standard Specifications, shall be used in the concrete for precast prestressed concrete deck beams. Required Release Strength, f'cl, shall be 4,000 p.s.i.

DESIGNED	A.T.H.
CHECKED	A.J.B.
DRAWN	Drew Christopher
CHECKED	A.T.H. A.J.B.

February 22, 2008
EXAMINED
PASSED
REPAIR PLANS UNIT CHIEF
ENGINEER OF BRIDGES AND STRUCTURES

PD-5-S 11-1-06