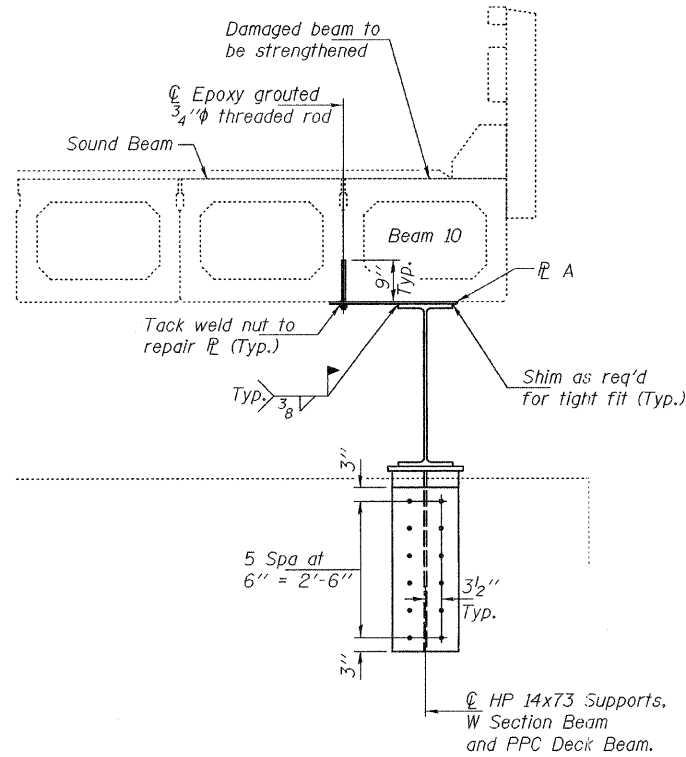
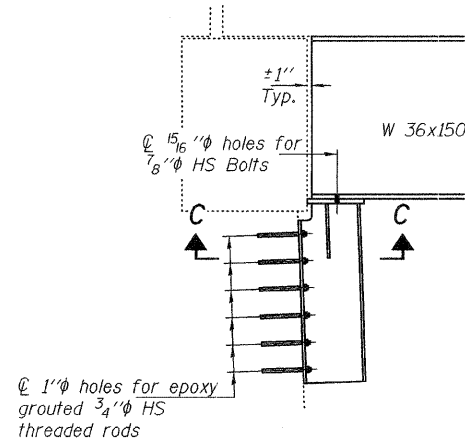


STATE OF ILLINOIS
DEPARTMENT OF TRANSPORTATION

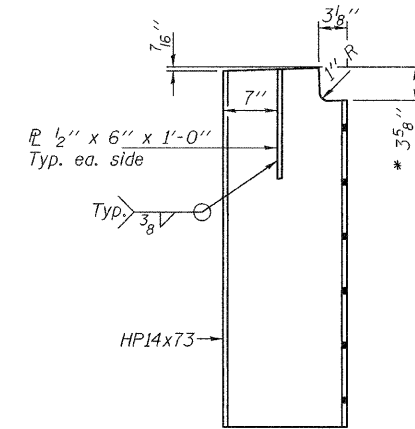
ROUTE NO.	SECTION	COUNTY	TOTAL SHEETS	SHEET NO.	SHEET NO. 2 2 SHEETS
FA 91		COLES	6	6	
FED. ROAD DIST. NO. 7	ILLINOIS	FED. AID PROJECT	Contract Number: 74291		



SECTION A-A

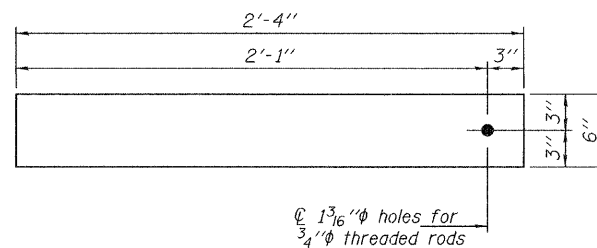


SECTION B-B

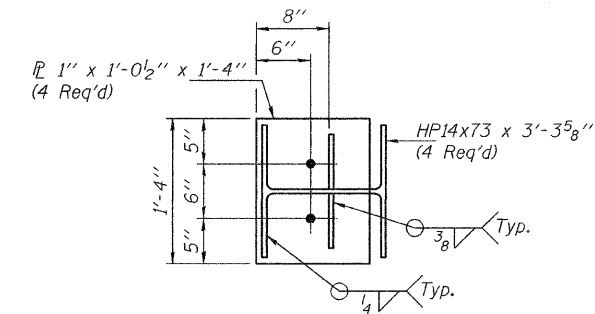


NOTCH AND STIFFENER DETAIL

* This dimension can be reduced if existing field conditions allow it.



TRANSVERSE TIE R'S
R A $\frac{1}{2}$ " x 2'-4" x 6" (8 Req'd)



SECTION C-C

DESIGNED	VHV
CHECKED	AJB
DRAWN	ballva
CHECKED	VHV AJB

MARCH 4, 2008

EXAMINED *Carl Hines*
ENGINEER OF STRUCTURAL SERVICES

PASSED *Ralph E. Anderson*
ENGINEER OF BRIDGES AND STRUCTURES

REPAIR DETAILS
FA 91
COLES COUNTY
SN 015-0019