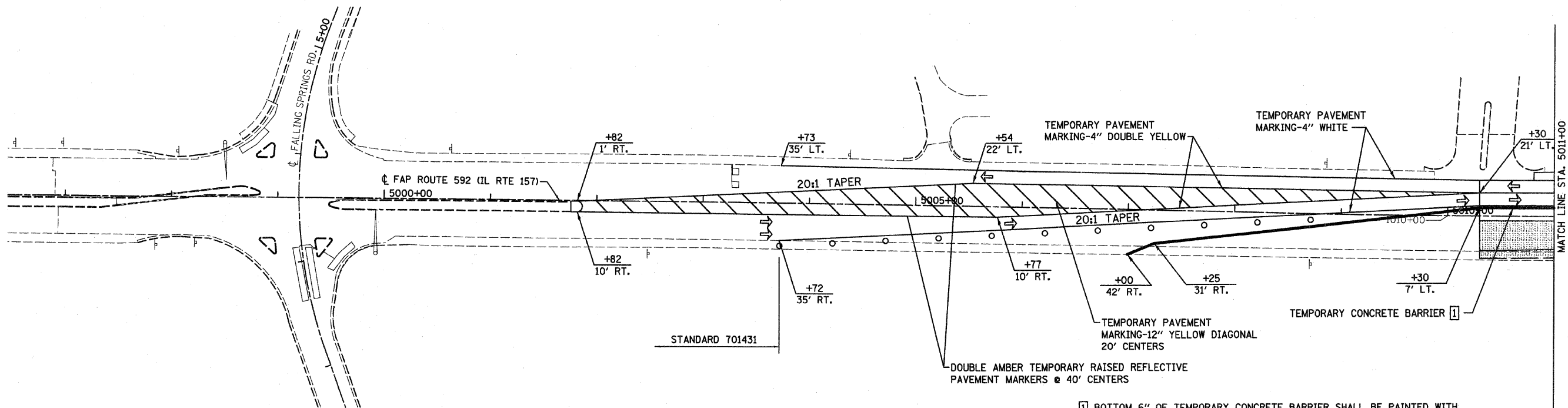
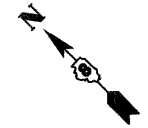
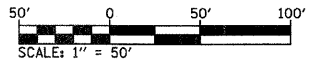


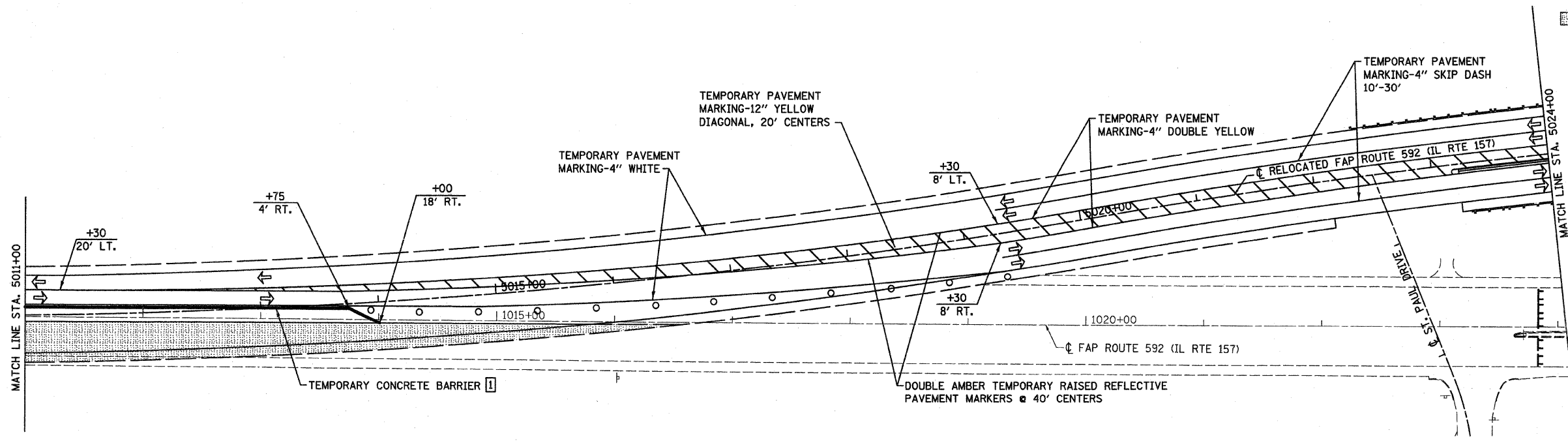
F.A.P. RTE.	SECTION	COUNTY	TOTAL SHEETS	SHEET NO.
592	121-1R, 121HV8	ST. CLAIR	239	54
STA.		TO STA.		
FED. ROAD DIST. NO.		ILLINOIS FED. AID PROJECT		



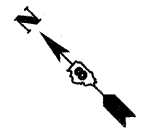
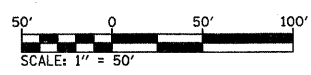
1 BOTTOM 6" OF TEMPORARY CONCRETE BARRIER SHALL BE PAINTED WITH WHITE PAINT PAVEMENT MARKING. PAYMENT SHALL BE AS TEMPORARY PAVEMENT MARKING 6". SEE STANDARD 701321 FOR PLACEMENT OF VERTICAL PANELS, REFLECTORS AND STEADY BURNING LIGHTS ON THE TEMPORARY CONCRETE BARRIER.



- LEGEND**
- DENOTES WORK AREA FOR THIS STAGE
 - DENOTES TRAFFIC FLOW
 - BARRICADES, TYPE III W. R11-2-4830
 - BARRICADES, TYPE I OR TYPE II
 - SEE OVERALL PLAN AND STANDARDS FOR SIGNS AND BARRICADES NOT SHOWN.
 - STATIONING REFERENCES PROPOSED IL 157.



1 BOTTOM 6" OF TEMPORARY CONCRETE BARRIER SHALL BE PAINTED WITH WHITE PAINT PAVEMENT MARKING. PAYMENT SHALL BE AS TEMPORARY PAVEMENT MARKING 6". SEE STANDARD 701321 FOR PLACEMENT OF VERTICAL PANELS, REFLECTORS AND STEADY BURNING LIGHTS ON THE TEMPORARY CONCRETE BARRIER.



REVISIONS	
NAME	DATE

ILLINOIS DEPARTMENT OF TRANSPORTATION
SUGGESTED STAGES OF CONSTRUCTION AND TRAFFIC CONTROL
 (STAGE 5 DETAIL, 1 OF 3)
 FAP ROUTE 592
 SECTION 121-1R, 121HV8
 ST. CLAIR COUNTY

DRAWN BY:

PLOT DATE = 1/29/2008
 FILE NAME = H:\P\21015\Microstat\Design\cd002a.dgn
 PLOT SCALE = 60.0000 / 1 IN.
 USER NAME = @USER@