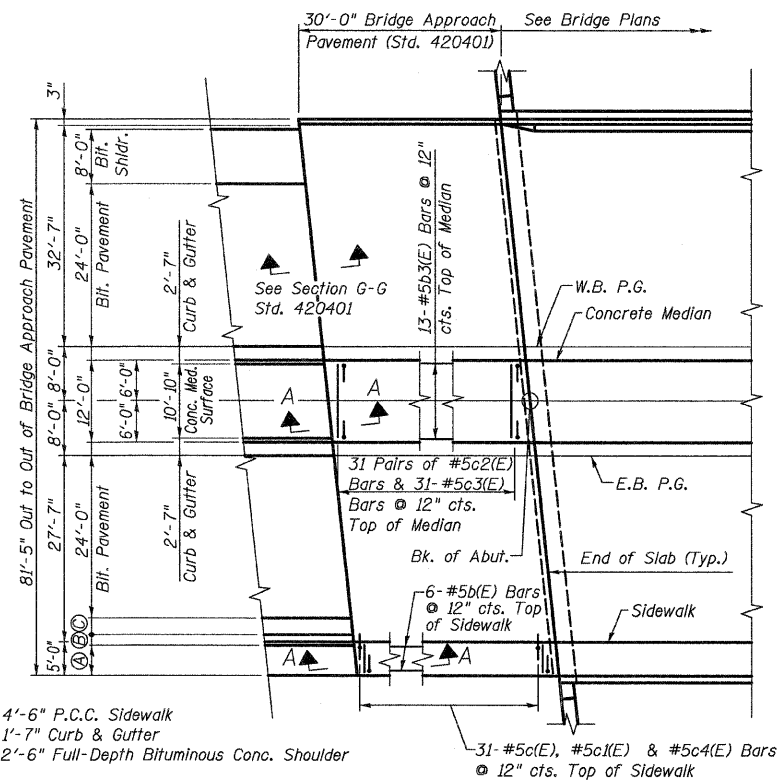


FILE NO.	SECTION	COUNTY	TOTAL SHEETS	SHEET NO.
592	121-1R, 121HV	ST. CLAIR	239	162

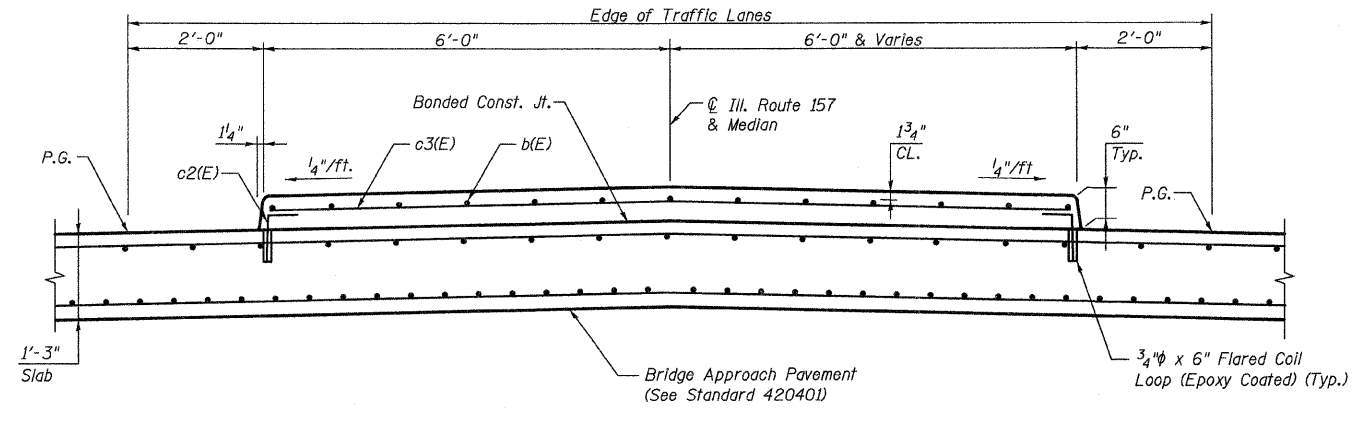
MISCELLANEOUS DETAILS

BILL OF MATERIAL
(For two approaches)

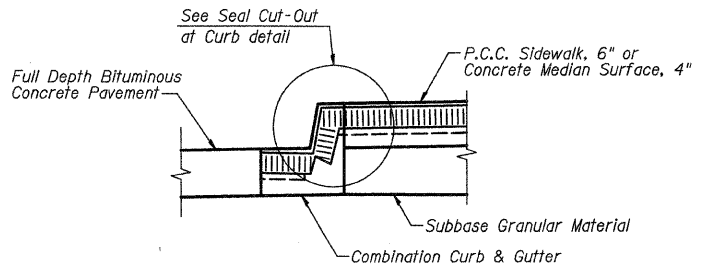
Bar	No.	Size	Length	Shape	
b(E)	38	#5	29'-6"		
c(E)	62	#5	2'-5"		
c ₁ (E)	62	#5	4'-8"		
c ₂ (E)	124	#5	1'-7"		
c ₃ (E)	62	#5	11'-8"		
c ₄ (E)	62	#5	3'-0"		
Reinforcement Bars, Epoxy Coated (4)				Pound	2780
Concrete Median & Sidewalk (4)				Cu. Yd.	21.4
4" Preformed Joint Seal (4)				Foot	47



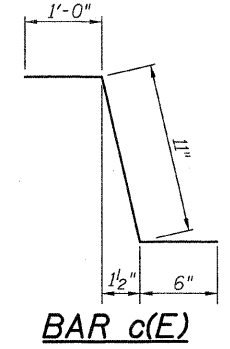
BRIDGE APPROACH PAVEMENT MEDIAN & SIDEWALK PLAN
(West Approach Pavement shown, East Approach Pavement opposite hand)



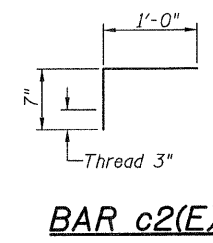
SECTION THRU MEDIAN
(Bridge Approach Pavement Looking East)



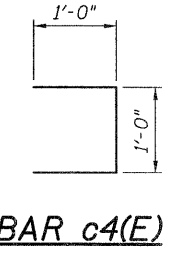
AT SIDEWALK OR MEDIAN



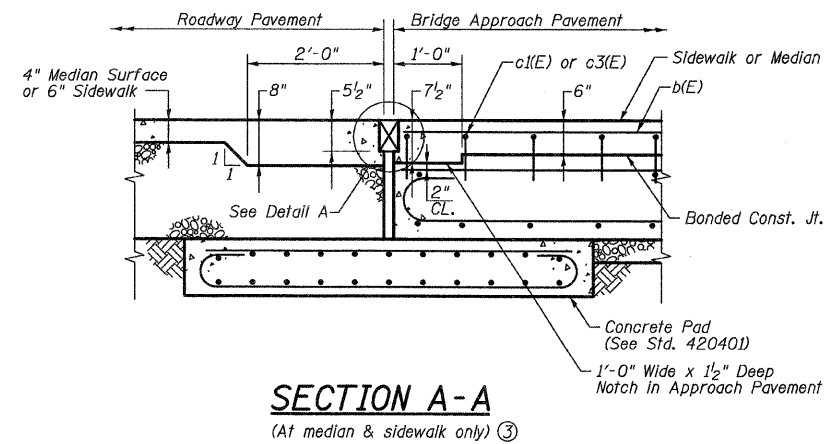
BAR c(E)



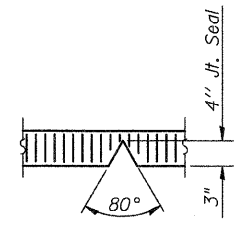
BAR c2(E)



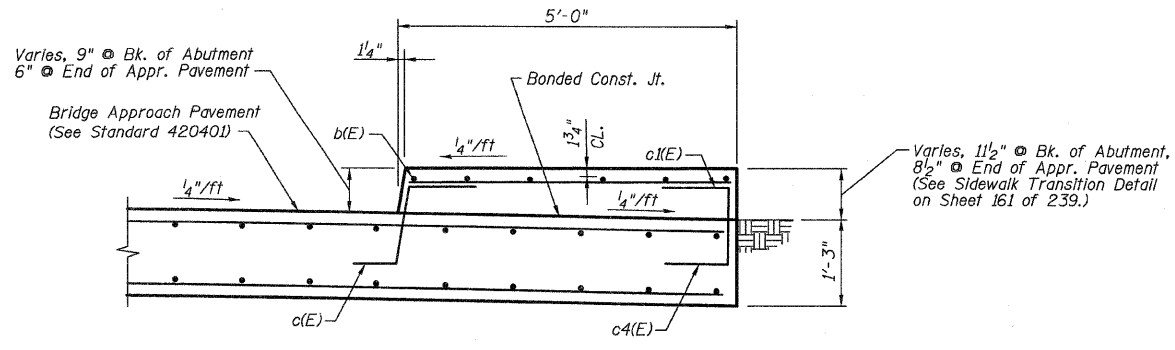
BAR c4(E)



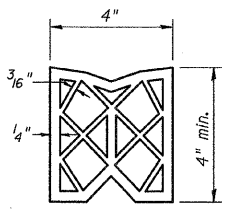
SECTION A-A
(At median & sidewalk only) (3)



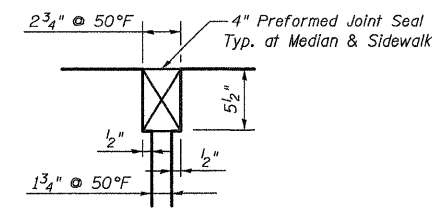
SEAL CUT-OUT AT CURB



SECTION THRU SIDEWALK
(Bridge Approach Pavement Looking East)



PREFORMED JOINT SEAL



DETAIL A

- Notes:
- Reinforcement bars designated (E) shall be epoxy coated.
 - The bridge approach pavement shall extend across the entire width of the bridge as shown in the plan view with the median and sidewalk placed on top of the bridge approach pavement.
 - A preformed joint seal shall be required at the median, sidewalk and curb and gutter joints between the approach slab and roadway section. The joint between the roadway pavement and the bridge approach pavement shall be constructed according to Standard 420401.
 - The concrete, epoxy coated reinforcement bars, and preformed joint seal required for the construction of the superimposed median and sidewalk are shown for information only and the cost shall be included in the unit cost per Sq. Yd. of "Concrete Median, 6 Inch and Sq. Ft. of "Portland Cement Concrete Sidewalk, 6 Inch, Special", respectively.

ILLINOIS DEPARTMENT OF TRANSPORTATION
BRIDGE APPROACH PAVEMENT SIDEWALK & MEDIAN DETAILS
FAP ROUTE 592
SECTION 121-1R, 121HV
ST. CLAIR COUNTY
DRAWN BY:

PLT DATE = 03/22/2007
FILE SCALE = 1/4" = 1'-0"
USER NAME = KUSHER