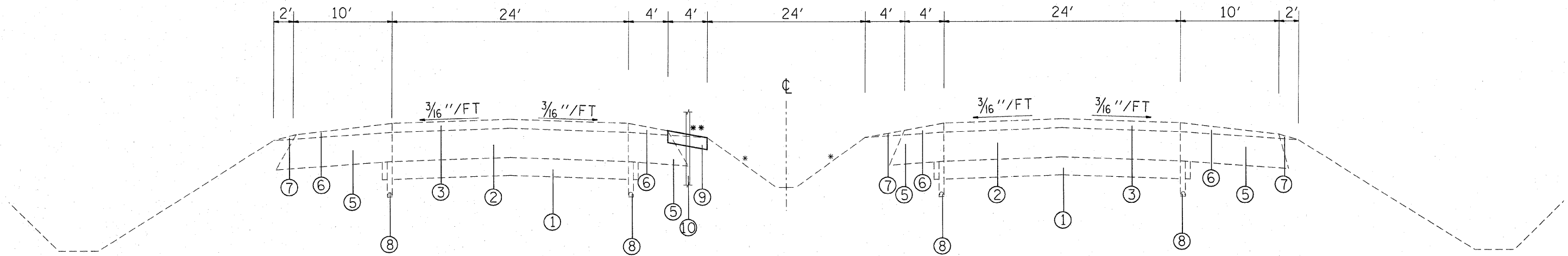


F.A.I. RTE.	SECTION	COUNTY	TOTAL SHEETS	SHEET NO.
270	60-(1,2,3,4,5)I	MADISON	46	5
STA. _____		TO STA. _____		
FED. ROAD DIST. NO. _____		ILLINOIS FED. AID PROJECT _____		

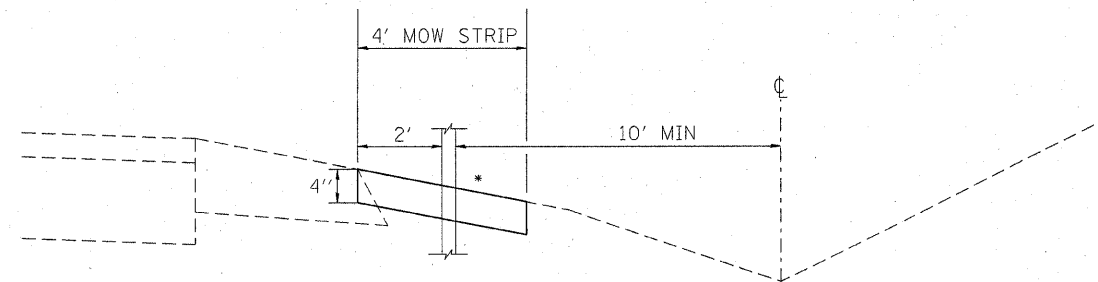


TANGENT SECTION
 STA. 154+64.08 TO STA. 161+16.04
 STA. 181+06.04 TO STA. 191+06.92

LEGEND

- ① EXISTING 6" SUB-BASE GRANULAR MATERIAL
- ② EXISTING PCC PAVEMENT, 10"
- ③ EXISTING HOT-MIX ASPHALT OVERLAY
- ④ EXISTING CONCRETE MEDIAN
- ⑤ EXISTING HOT-MIX ASPHALT SHOULDER
- ⑥ EXISTING HOT-MIX ASPHALT SHOULDER OVERLAY
- ⑦ EXISTING AGG. SHOULDER WEDGE
- ⑧ EXISTING UNDERDRAINS
- ⑨ PROPOSED HOT MIX-ASPHALT SHOULDER, 4" (MOW STRIP)
- ⑩ PROPOSED HIGH TENSION CABLE MEDIAN BARRIER

- * MEDIAN SLOPES VARY 4:1 AND FLATTER
- ** LOCATION OF HTC AND MOW STRIP VARIES BETWEEN EB AND WB LANES. SEE PLAN SHEETS FOR LOCATIONS.



* MATCH EXISTING SLOPE;
 MUST BE 4:1 OR FLATTER.

REVISIONS	
NAME	DATE

ILLINOIS DEPARTMENT OF TRANSPORTATION
TYPICAL SECTIONS
AREA #1
 FAI RTE 270
 SECTION 60-(1,2,3,4,5)I
 MADISON COUNTY

SCALE: VERT. _____
 HORIZ. _____
 DATE _____ DRAWN BY _____
 CHECKED BY _____