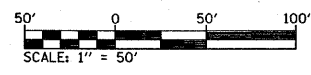
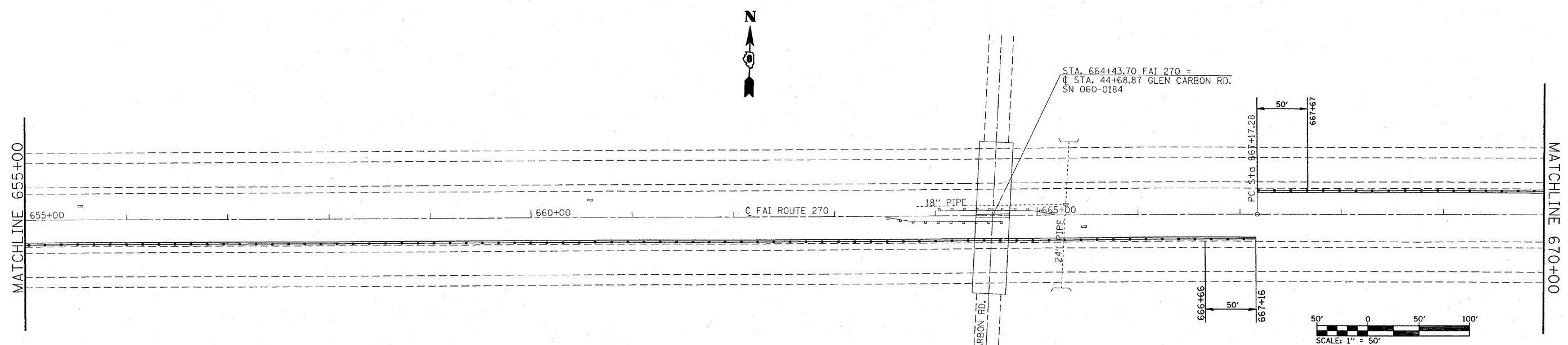
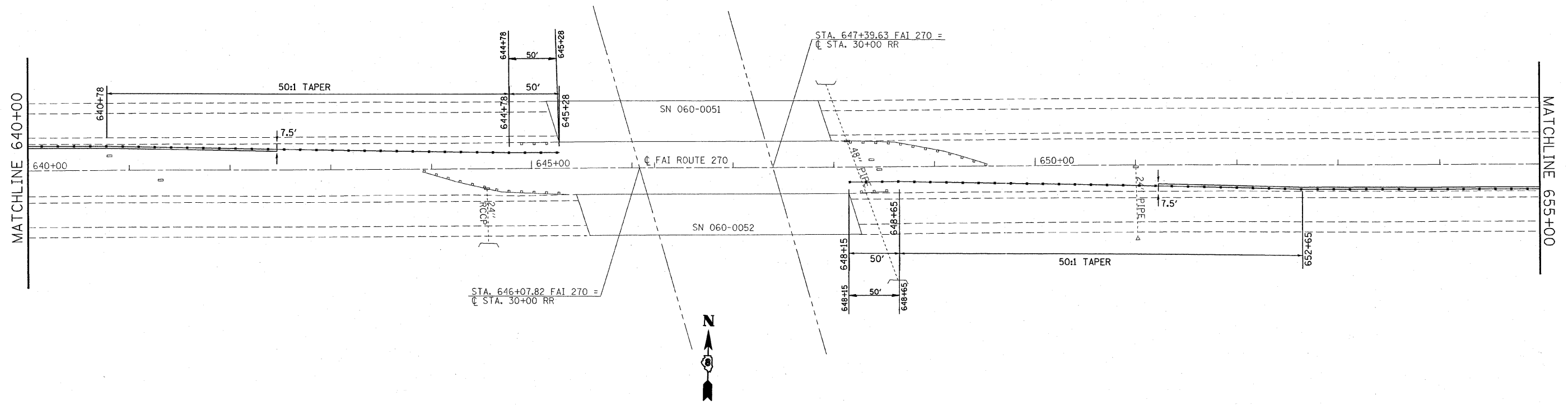


F.A.I. RTE.	SECTION	COUNTY	TOTAL SHEETS	SHEET NO.
270	60-(1,2,3,4,5)I	MADISON	46	20
STA. 640+00		TO STA. 670+00		
FED. ROAD DIST. NO. ILLINOIS		FED. AID PROJECT		



REVISIONS	
NAME	DATE

ILLINOIS DEPARTMENT OF TRANSPORTATION  
**PLAN VIEW**  
**AREA #3**  
 FAI RTE 270  
 SECTION 60-(1,2,3,4,5)I  
 MADISON COUNTY

SCALE: VERT. HORIZ.  
 DATE

DRAWN BY  
 CHECKED BY

PLOT DATE = 12/12/2007  
 FILE NAME = c:\projects\60-12345i\plan\plan092007.dgn  
 PLOT SCALE = 1/8\"/>