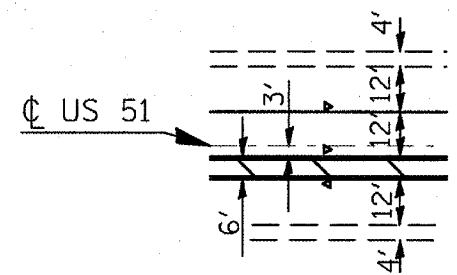


F.A.I. RTE.	SECTION	COUNTY	TOTAL SHEETS	SHEET NO.
•	••	•••	22	17
STA.		TO STA.		
FED. ROAD DIST. NO.		ILLINOIS	FED. AID PROJECT	

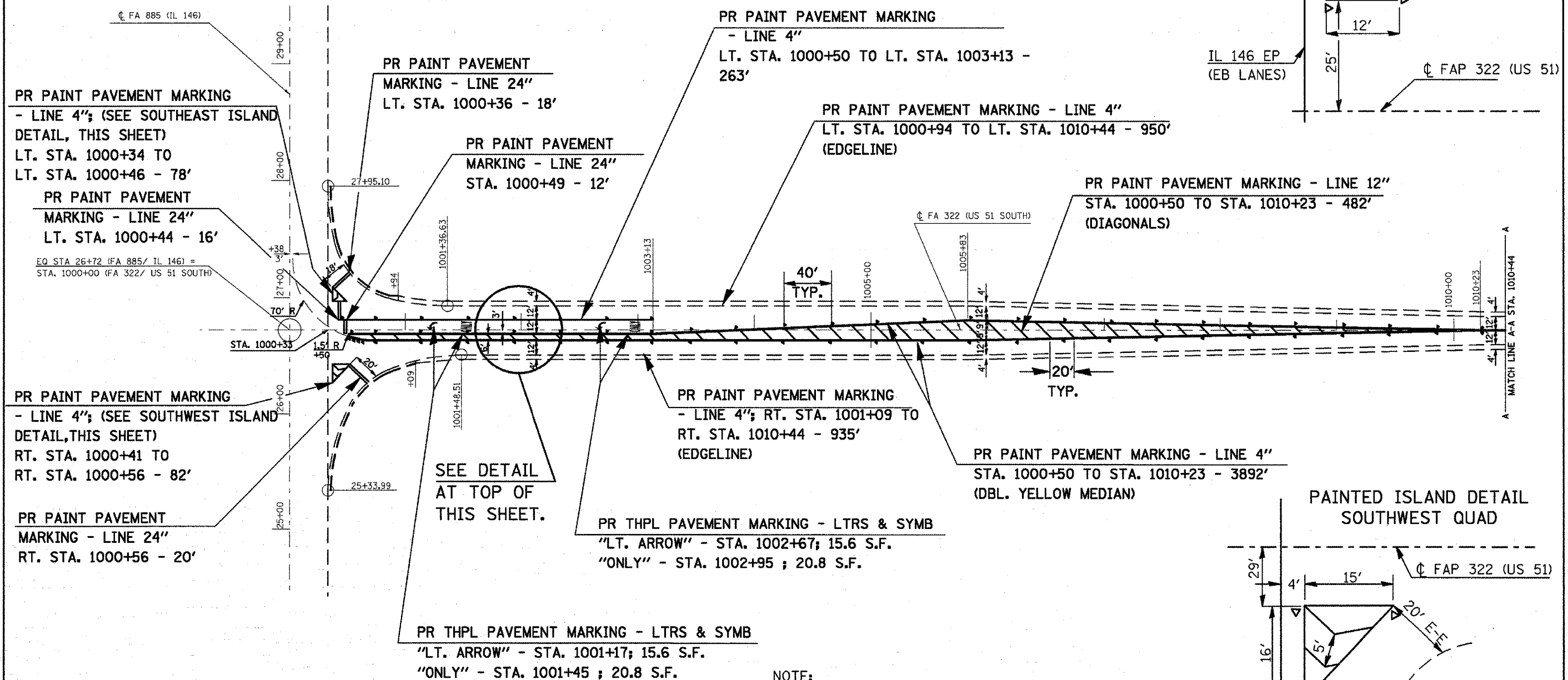
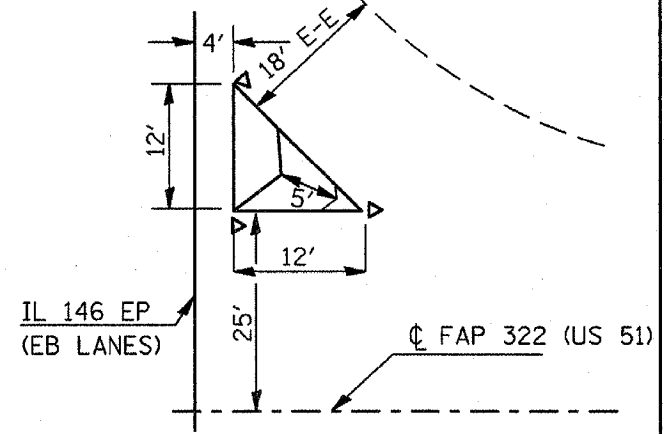
- FAS 1909 & FAP 322
- D9 PAVEMENT PRESERVATION FY08
- JACKSON AND UNION COUNTIES

PAVEMENT MARKING DETAIL
FAP 322 (US 51) LOCATION 1
STA. 1000+33 TO STA. 1010+44

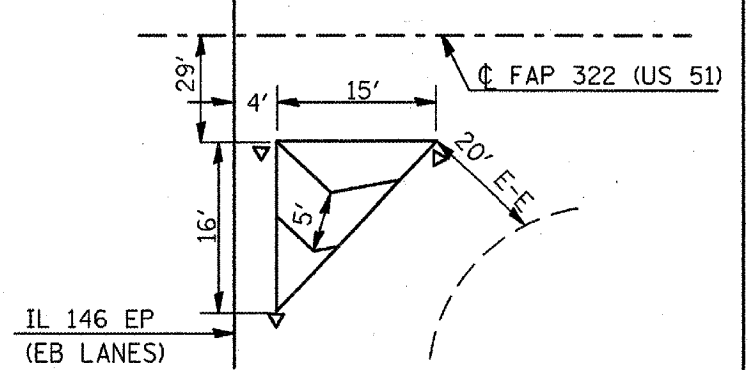
DETAIL OF
LANE WIDTHS



PAINTED ISLAND DETAIL
SOUTHEAST QUAD



PAINTED ISLAND DETAIL
SOUTHWEST QUAD



PLOT DATE = 1/24/2008
 PLOT SCALE = 1" = 40' / 1" = 100'
 USER NAME = mrcrdr