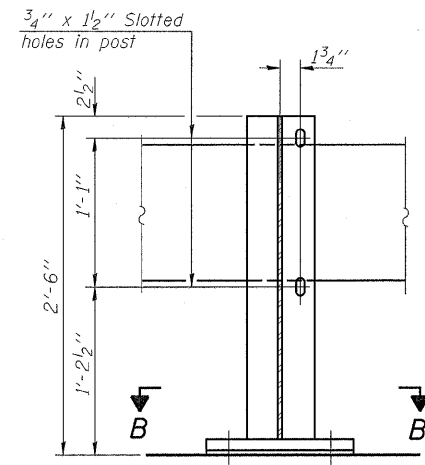
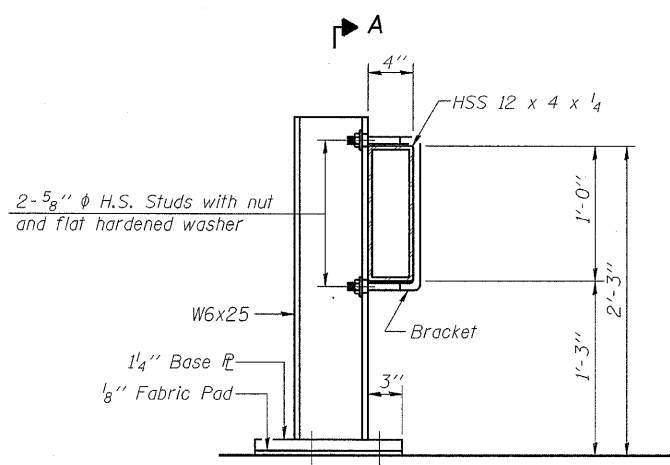


STATE OF ILLINOIS
DEPARTMENT OF TRANSPORTATION

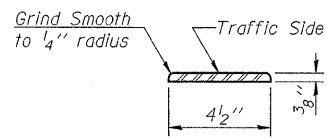
ROUTE NO.	SECTION	COUNTY	TOTAL SHEETS	SHEET NO.	SHEET NO. 4 16 SHEETS
F.A.P. 782	115BR-1	Hardin	83	23	
FED. ROAD DIST. NO. 7	ILLINOIS	FED. AID PROJECT-			
Contract #78026					



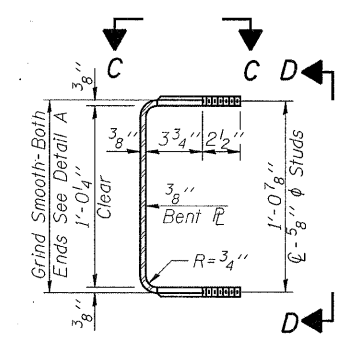
SECTION A-A



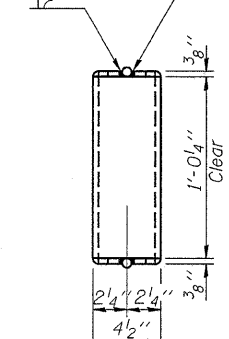
SECTION AT RAIL POST



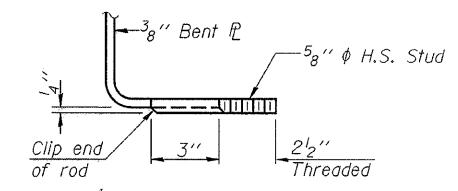
DETAIL A



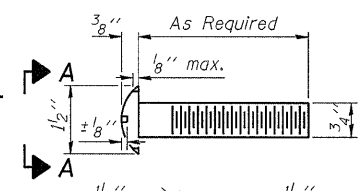
SECTION THRU BRACKET



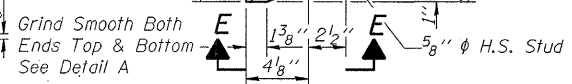
VIEW D-D



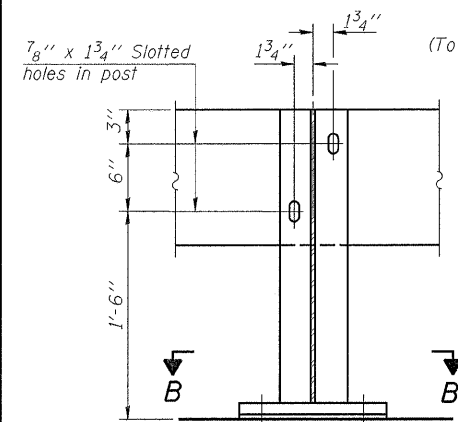
VIEW E-E



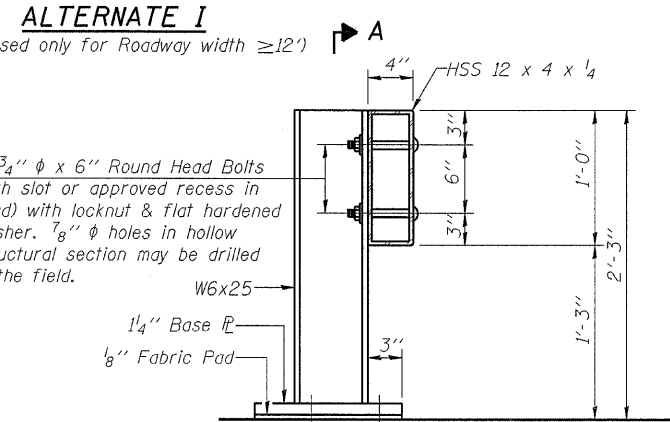
VIEW A-A
ROUND HEAD BOLT



VIEW C-C



SECTION A-A

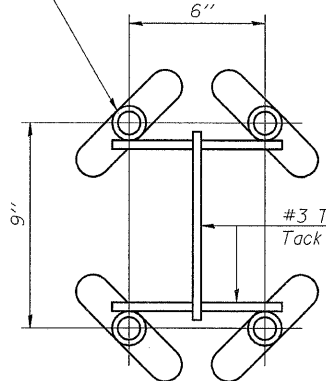


SECTION AT RAIL POST

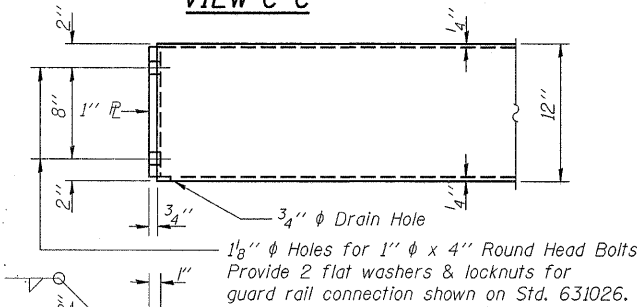
ALTERNATE I
(To be used only for Roadway width $\geq 12'$)

2-3/4" ϕ x 6" Round Head Bolts
(With slot or approved recess in head) with locknut & flat hardened washer. 7/8" ϕ holes in hollow structural section may be drilled in the field.

1" ϕ Flared thin slab ferrule insert. Electroplated according to ASTM B 633 Service Condition 4.



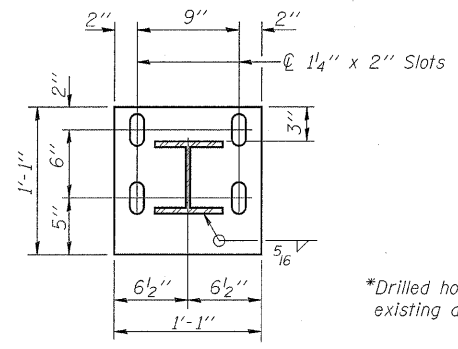
INSERT DETAIL



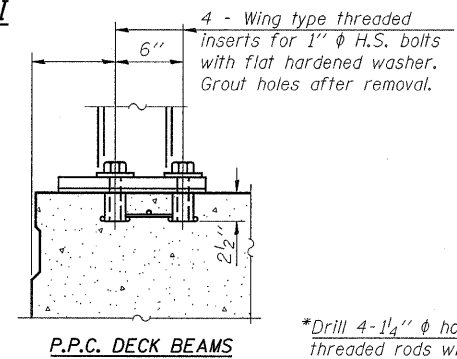
END OF RAIL DETAILS

Notes:
See sheet 3 of 16 for Rail Post spacing.
The contact surfaces between post flange, rail and inside face of bracket for Alternate I shall be free of all lubricants.
The nut for 5/8" high strength studs used in Alternate I to connect bracket to post shall be tightened to a snug fit and given an additional one half turn.

ALTERNATE II

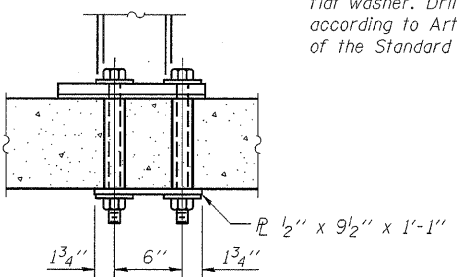


SECTION B-B

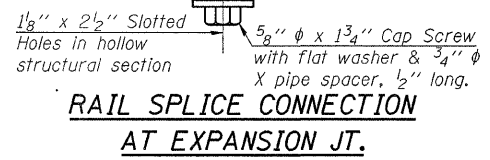


P.P.C. DECK BEAMS

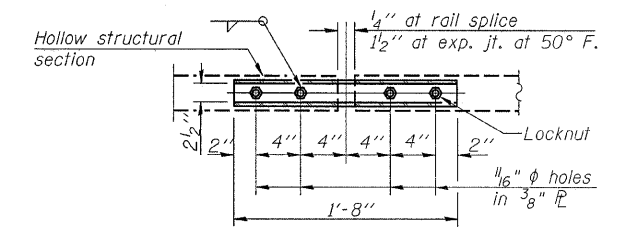
*Drill 4-1 1/4" ϕ holes for 1" ϕ threaded rods with hex nut and flat washer. Drill and set rods according to Article 509.06 of the Standard Specifications.



ANCHORAGE DETAILS



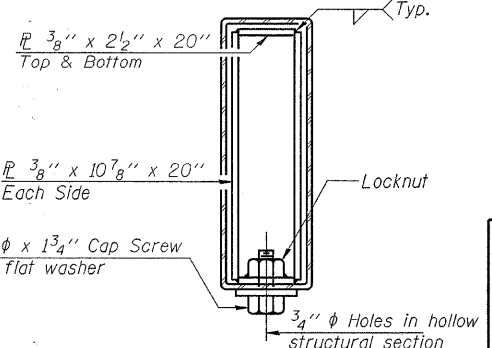
RAIL SPLICE CONNECTION
AT EXPANSION JT.



PLAN-BOTT. SPLICE
TYPICAL

BILL OF MATERIAL

Item	Unit	Quantity
Steel Railing (Temporary)	Foot	83.0



SECTION AT RAIL SPLICE

HAMPTON, LENZINI & RENWICK, INC.
CIVIL & STRUCTURAL ENGINEERS
LAND SURVEYORS
3085 STEVENSON DRIVE, SUITE 201
SPRINGFIELD, ILLINOIS 62703
(217) 546-3400

ELGIN • SPRINGFIELD

PROJECT NUMBER: 12-98-0016-1 DATE: 01/18/08
DESIGNED: M.D.C. CHECKED: S.M.S. DRAWN: D.T.M.

STEEL RAILING (TEMPORARY)
IL. ROUTE 1 OVER HARRIS CREEK
F.A.P. ROUTE 782 / SECTION 115BR-1
HARDIN COUNTY
STATION 927+65
STRUCTURE NO. 035-0001