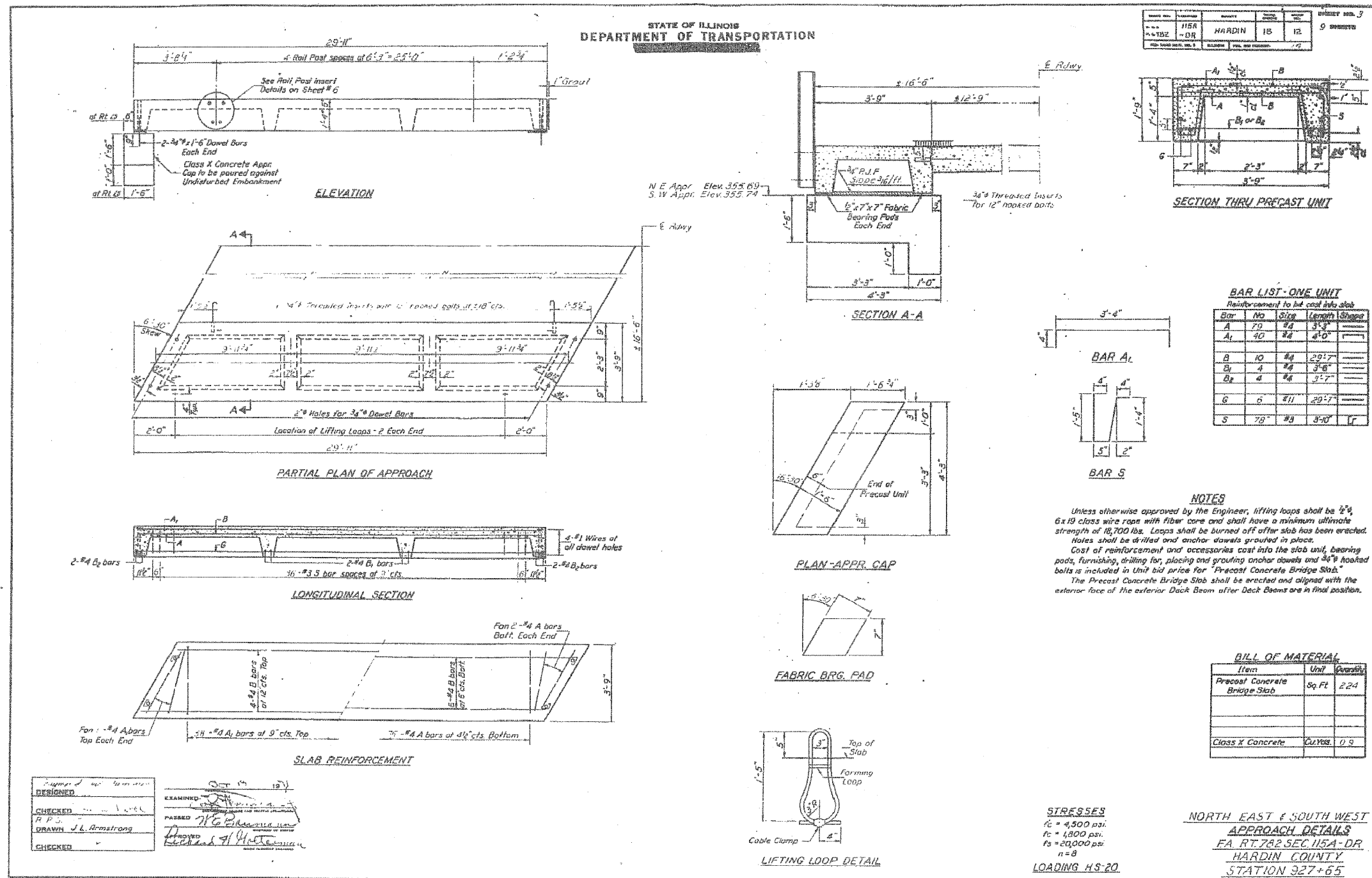


STATE OF ILLINOIS
DEPARTMENT OF TRANSPORTATION

ROUTE NO.	SECTION	COUNTY	SHEET	SHEET NO.
F.A.P. 782	115BR-1	Hardin	83	38
FED. ROAD DIST. NO. 7	ILLINOIS	FED. AID PROJECT		11 SHEETS

Contract #78026



DESIGNED: [Signature]
CHECKED: [Signature]
DRAWN: J.L. Armstrong
EXAMINED: [Signature]
PASSED: [Signature]
APPROVED: [Signature]

HAMPTON, LENZINI & RENWICK, INC.
CIVIL & STRUCTURAL ENGINEERS
LAND SURVEYORS

3085 STEVENSON DRIVE, SUITE 201
SPRINGFIELD, ILLINOIS 62703
(217) 546-3400

ELGIN • SPRINGFIELD

PROJECT NUMBER: 12-98-0016-1 DATE: 01/18/08
DESIGNED: M.D.C. CHECKED: S.M.S. DRAWN: D.T.M.

EXISTING STRUCTURE PLANS

IL. ROUTE 1 OVER HARRIS CREEK
F.A.P. ROUTE 782 / SECTION 115BR-1
HARDIN COUNTY
STATION 927+65
STRUCTURE NO. 035-0001