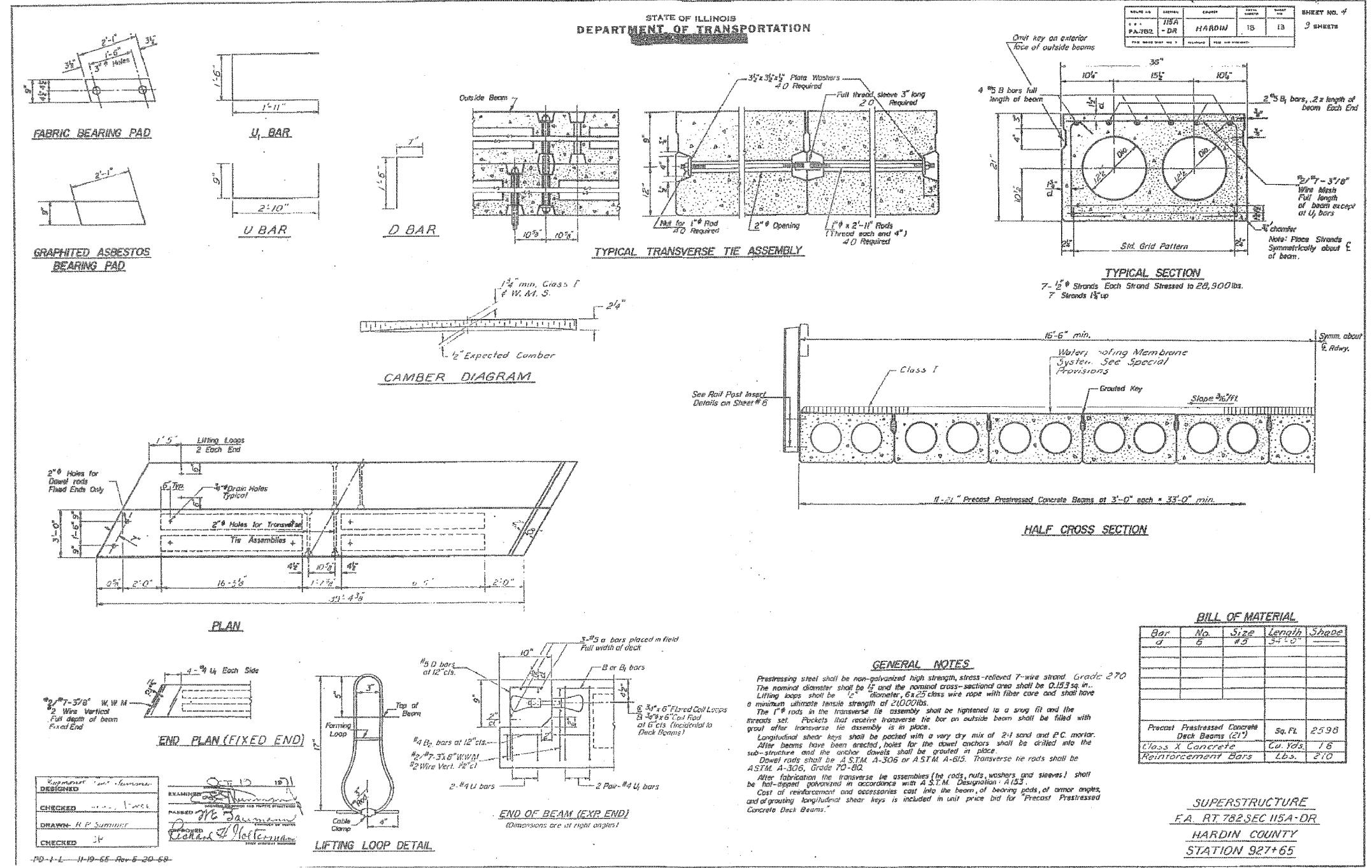


STATE OF ILLINOIS
DEPARTMENT OF TRANSPORTATION

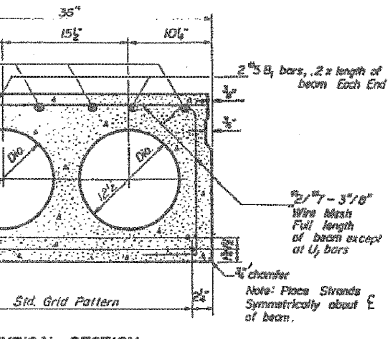
ROUTE NO.	SECTION	COUNTY	DIST.	SHEET NO.
F.A.P. 782	115BR-1	Hardin	83	39
FED. ROAD DIST. NO. 7		ILLINOIS	FED. AID PROJECT	

SHEET NO. 4
11 SHEETS

Contract #78026



ROUTE NO.	SECTION	COUNTY	DIST.	SHEET NO.
F.A.P. 782	115BR-1	HARDIN	83	39



BILL OF MATERIAL

Bar	No.	Size	Length	Shape
	6	#8	34'-0"	
Precast Prestressed Concrete Deck Beams (21)		Sq. Ft.	2598	
Class X Concrete		Cu. Yds.	18	
Reinforcement Bars		Lbs.	210	

SUPERSTRUCTURE
F.A. RT 782 SEC 115A-DR
HARDIN COUNTY
STATION 927+65

DESIGNED	EXAMINED
CHECKED	PASSED
DRAWN	APPROVED
CHECKED	

HAMPTON, LENZINI & RENWICK, INC.
CIVIL & STRUCTURAL ENGINEERS
LAND SURVEYORS

3085 STEVENSON DRIVE, SUITE 201
SPRINGFIELD, ILLINOIS 62703
(217) 546-3400

ELGIN • SPRINGFIELD

PROJECT NUMBER: 12-98-0016-1 DATE: 01/18/08
DESIGNED: M.D.C. CHECKED: S.M.S. DRAWN: D.T.M.

EXISTING STRUCTURE PLANS
IL. ROUTE 1 OVER HARRIS CREEK
F.A.P. ROUTE 782 / SECTION 115BR-1
HARDIN COUNTY
STATION 927+65
STRUCTURE NO. 035-0001