

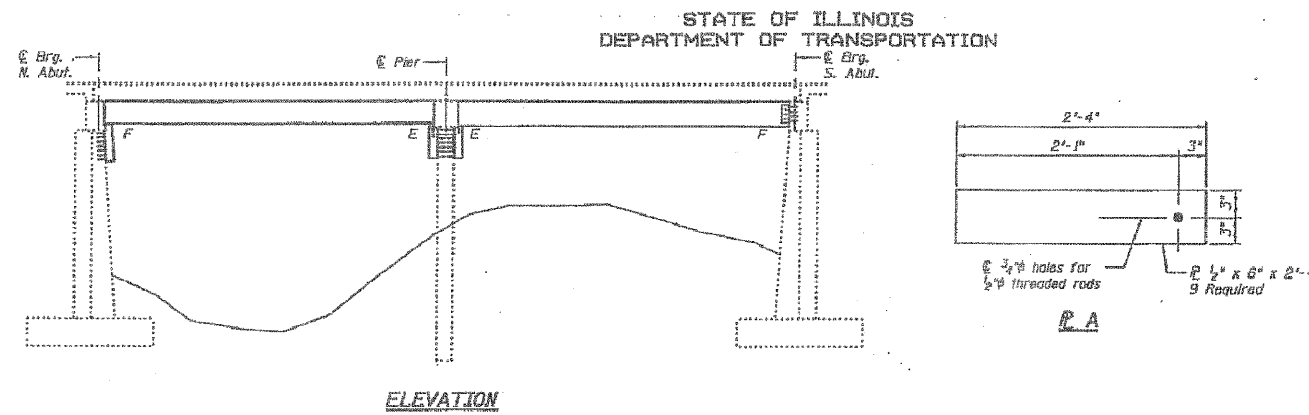
STATE OF ILLINOIS  
DEPARTMENT OF TRANSPORTATION

|                       |          |                  |      |           |
|-----------------------|----------|------------------|------|-----------|
| ROUTE NO.             | SECTION  | COUNTY           | DATE | SHEET NO. |
| F.A.P. 782            | 115BR-1  | Hardin           | 83   | 45        |
| FED. ROAD DIST. NO. 7 | ILLINOIS | FED. AID PROJECT |      |           |

SHEET NO. 10  
11 SHEETS

Contract #78026

|                      |         |        |      |           |
|----------------------|---------|--------|------|-----------|
| PROJECT NO.          | SECTION | COUNTY | DATE | SHEET NO. |
|                      |         | Hardin |      | 2         |
| Contract Number: --- |         |        |      |           |



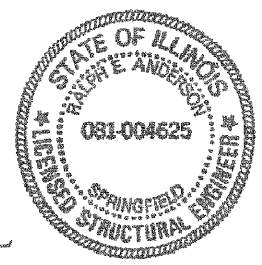
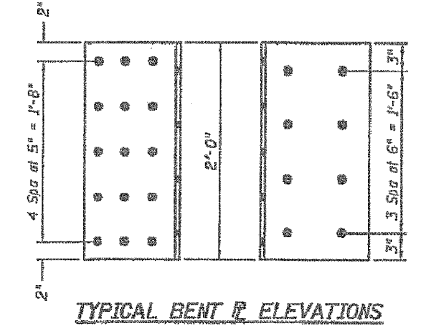
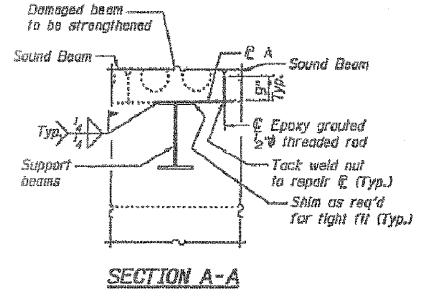
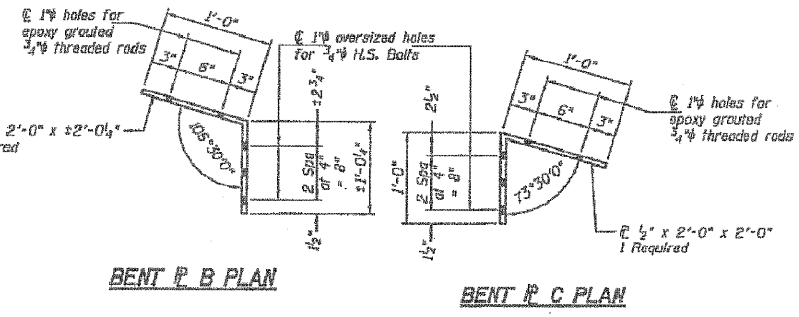
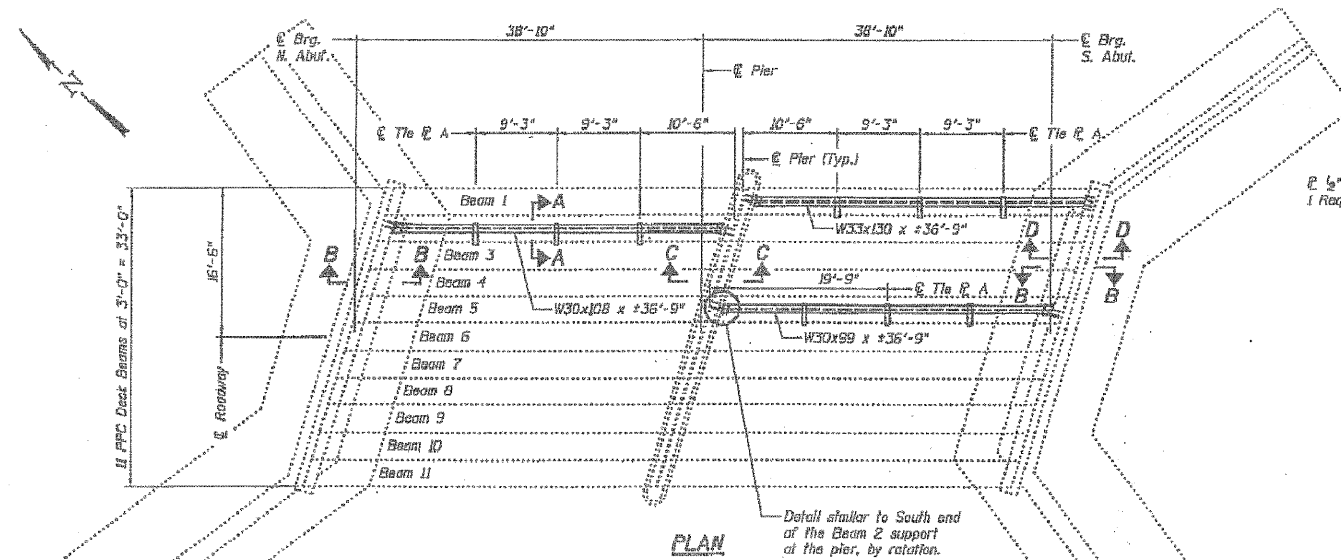
**GENERAL NOTES**

All structural steel shall conform to AASHTO Classification M-270 Gr. 36, unless otherwise noted.

Plan dimensions and details relative to existing plans are subject to routine variations. The Contractor shall field verify existing dimensions and details affecting new construction and make necessary approved adjustments prior to construction or ordering of materials. Such variations shall not be cause for additional compensation for a change in scope of the work, however, the Contractor will be paid for the quantity actually furnished based upon the unit price bid for the work.

See Section 504 of the Standard Specifications for Epoxy Grouting of Threaded Rods.

The cost of epoxy grouting threaded rods shall be included with furnishing and erecting structural steel.



**TOTAL BILL OF MATERIAL**

| ITEM                                     | UNIT  | QUANTITY |
|--|-------|----------|
| Furnishing and Erecting Structural Steel | Pound | M,500    |

DESIGNED: Adrian F. Hoffman  
CHECKED: [Signature]  
DRAWN: [Signature]  
CHECKED: A.H. 5/03

JUNE 8, 2007  
DESIGNED: [Signature]  
CHECKED: [Signature]  
DRAWN: [Signature]  
CHECKED: [Signature]

Expires November 30, 2008

PLAN AND ELEVATION  
F.A. RT. 782  
HARDIN COUNTY  
SN 035-0001

**HAMPTON, LENZINI & RENWICK, INC.**  
CIVIL & STRUCTURAL ENGINEERS  
LAND SURVEYORS

**HLR**

3085 STEVENSON DRIVE, SUITE 201  
SPRINGFIELD, ILLINOIS 62703  
(217) 546-3400

ELGIN • SPRINGFIELD

PROJECT NUMBER: 12-98-0016-1 DATE: 01/18/08  
DESIGNED: M.D.C. CHECKED: S.M.S. DRAWN: D.T.M.

**EXISTING STRUCTURE PLANS**

IL. ROUTE 1 OVER HARRIS CREEK  
F.A.P. ROUTE 782 / SECTION 115BR-1  
HARDIN COUNTY  
STATION 927+65  
STRUCTURE NO. 035-0001