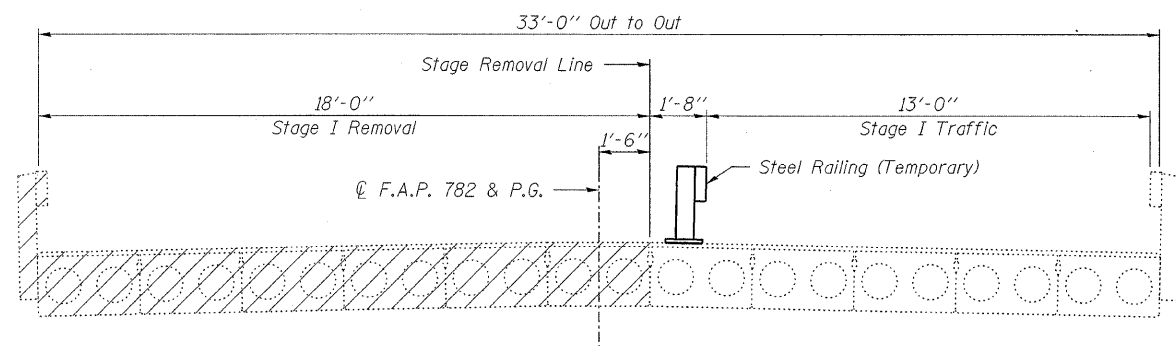


STATE OF ILLINOIS  
DEPARTMENT OF TRANSPORTATION

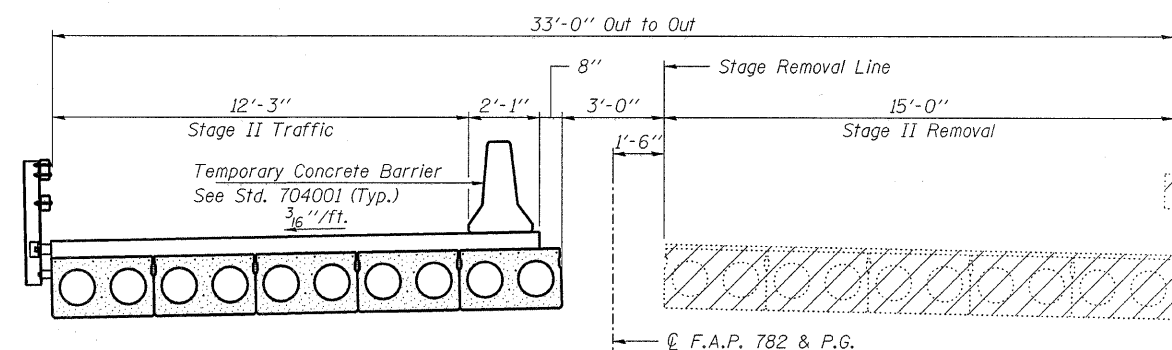
ROUTE NO.	SECTION	COUNTY	SHEET NO.	SHEET NO.
F.A.P. 782	115BR-2	Hardin	83	49
FED. ROAD DIST. NO. 7		ILLINOIS	FED. AID PROJECT	

Contract #78026

SHEET NO. 3  
15 SHEETS

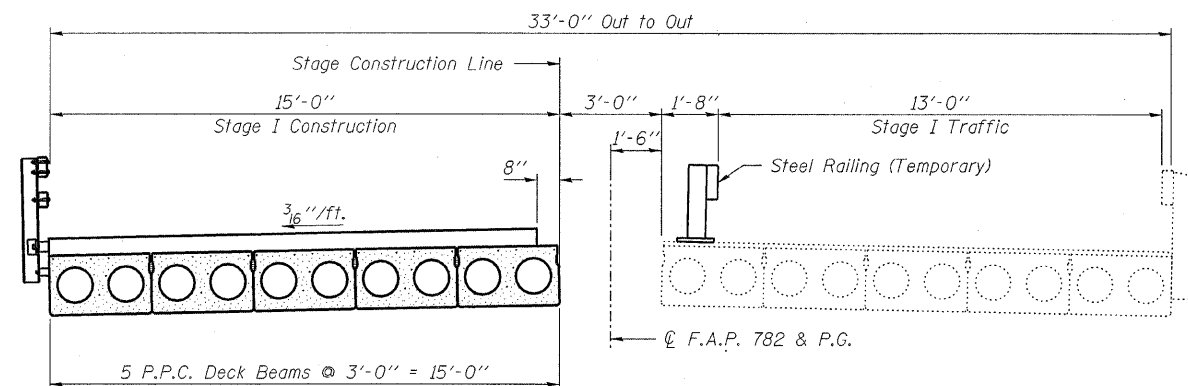


**STAGE I REMOVAL**

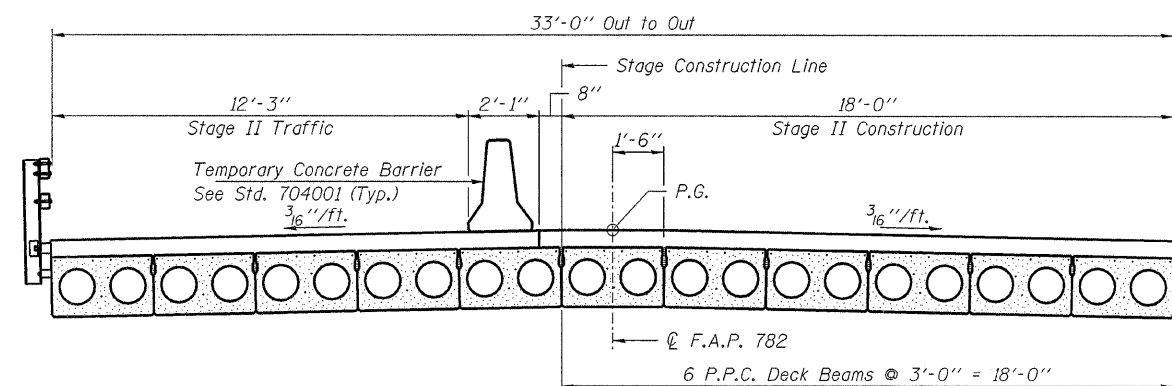


**STAGE II REMOVAL**

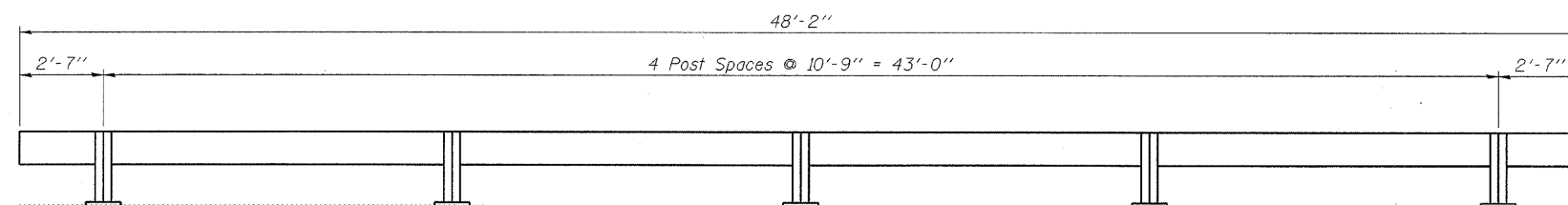
- Notes:
1. All views are looking Southeast.
  2. See Sheet 7 of 15 for shear key clamping details.
  3. See Roadway Plans for quantity of Temporary Concrete Barrier.



**STAGE I CONSTRUCTION**



**STAGE II CONSTRUCTION**



**STEEL RAILING (TEMPORARY POST SPACING)**

<b>HAMPTON, LENZINI &amp; RENWICK, INC.</b> CIVIL & STRUCTURAL ENGINEERS LAND SURVEYORS		<b>STAGE CONSTRUCTION DETAILS</b> IL. ROUTE 1 OVER BRANCH OF ROCK CREEK F.A.P. ROUTE 782 / SECTION 115BR-2 HARDIN COUNTY STATION 1015+72 STRUCTURE NO. 035-0003	
3085 STEVENSON DRIVE, SUITE 201 SPRINGFIELD, ILLINOIS 62703 (217) 546-3400		ELGIN • SPRINGFIELD	
PROJECT NUMBER: 12-98-0016-1	DESIGNED: M.D.C.	DATE: 01/18/08	CHECKED: P.S.L.
		DRAWN: D.T.M.	