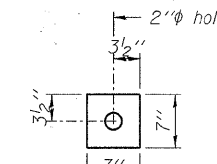
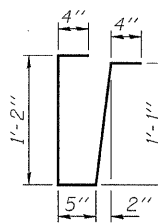
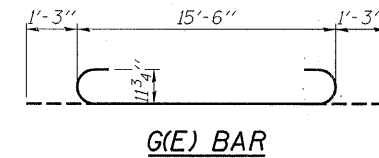
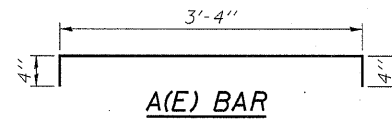
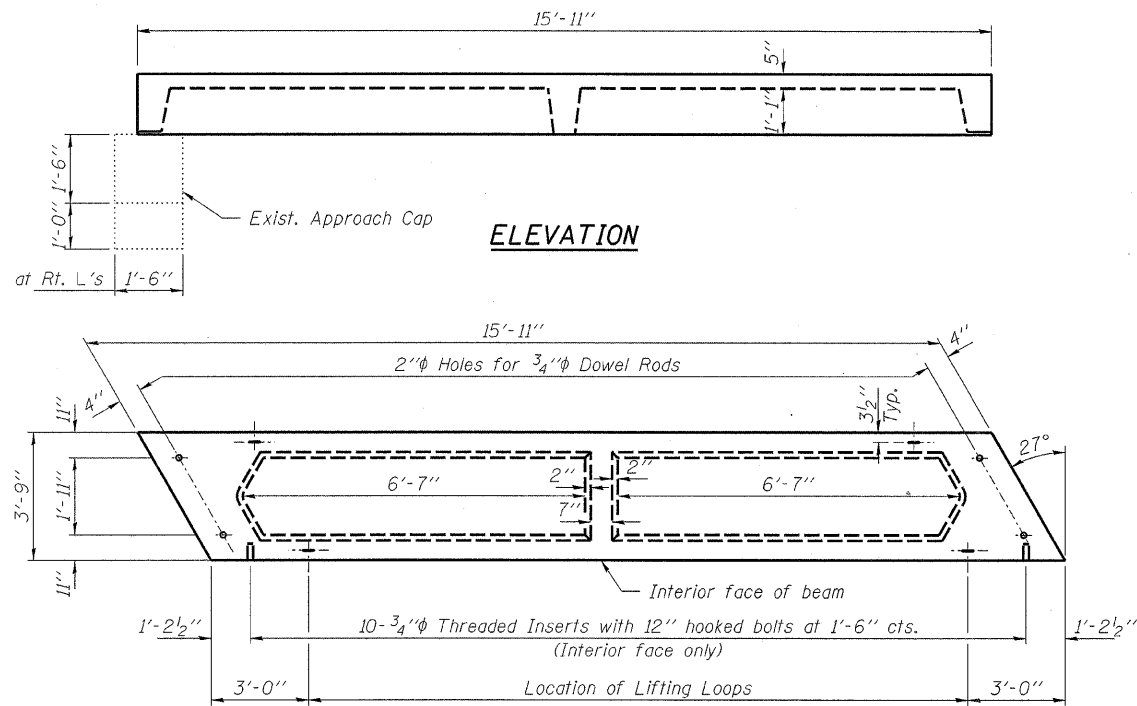


STATE OF ILLINOIS
DEPARTMENT OF TRANSPORTATION

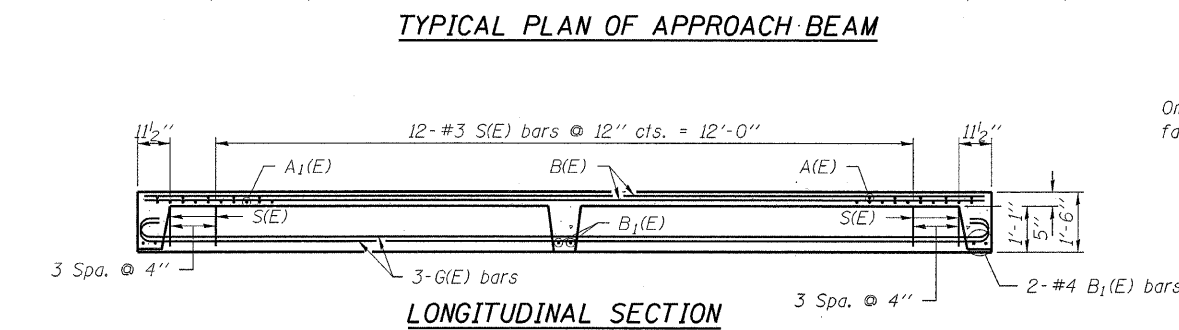
ROUTE NO.	SECTION	COUNTY	TOTAL SHEETS	SHEET NO.	SHEET NO. 9 15 SHEETS
F.A.P. 782	115BR-2	Hardin	83	55	
FED. ROAD DIST. NO. 7	ILLINOIS	FED. AID PROJECT			

Contract #78026

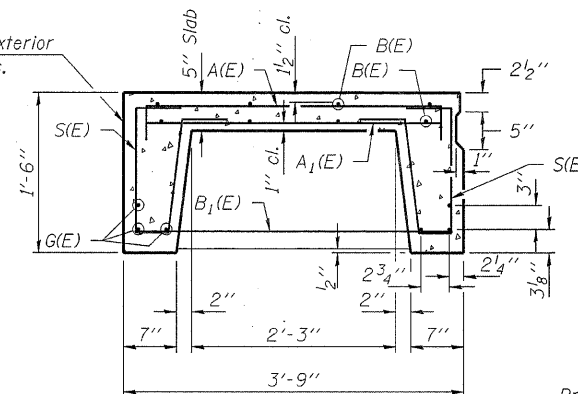


NOTES

Lifting loops shall be 2-1/2" ϕ -270 ksi strands, as shown.
Reinforcing steel shall conform to ASTM A 706 (IL MOD), Grade 60.
The bearing seat surfaces shall be adjusted by shimming to assure firm and even bearing. Two 1/8" fabric adjusting shims of the dimensions of the Bearing Pad shall be provided for each bearing.
Keyway surfaces shall be cleaned to remove form oil or other bond breaking material prior to shipment of the slabs. Cleaning shall be done by sandblasting the keyway areas between top of the slab and the bottom edge of the key.
Corrosion Inhibitor, per Article 1020.05(b)(12) of the Standard Specifications, shall be used in the concrete for precast concrete bridge slabs.
Required Strength, f_c , shall be 4,500 p.s.i.
See Sheet 2 of 15 for location of rail connectors and additional notes.
Cost of reinforcement and accessories cast into the slab unit, bearing pads, furnishing, drilling for, placing and grouting anchor rods and 3/4" hooked bolts is included in contract Unit Price for "Precast Concrete Bridge Slab."
The Precast Concrete Bridge Slab shall be erected and aligned with the exterior face of the exterior Deck Beam after Deck Beams are in final position.
The beam detailed on this sheet is for use in the Northeast and Southwest corners of the bridge as the PC Concrete Bridge Slabs.

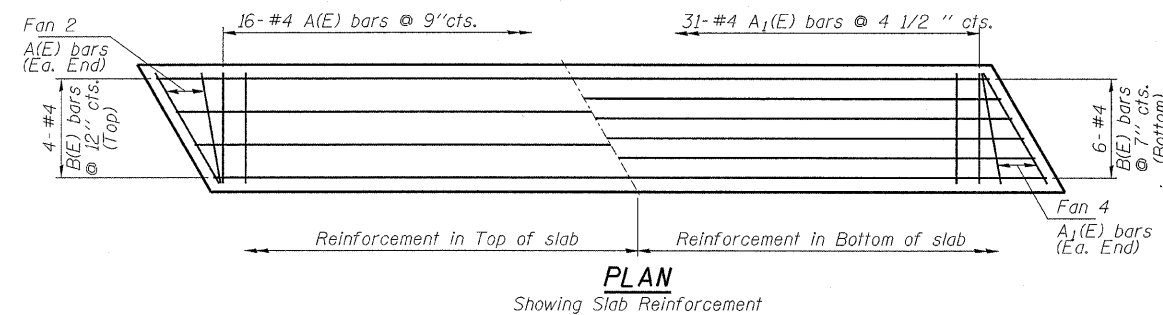


Omit key on exterior face of beams.



SECTION THRU BEAM

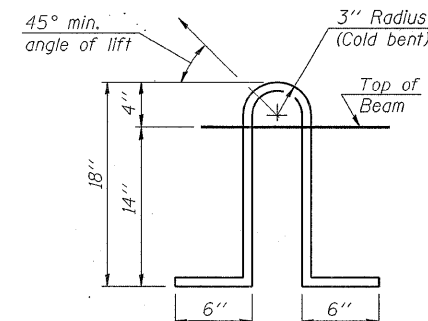
See sheet 2, 7 & 11 of 15 for rail post insert details. See Sheet 7 of 15 for D(E) bar detail.



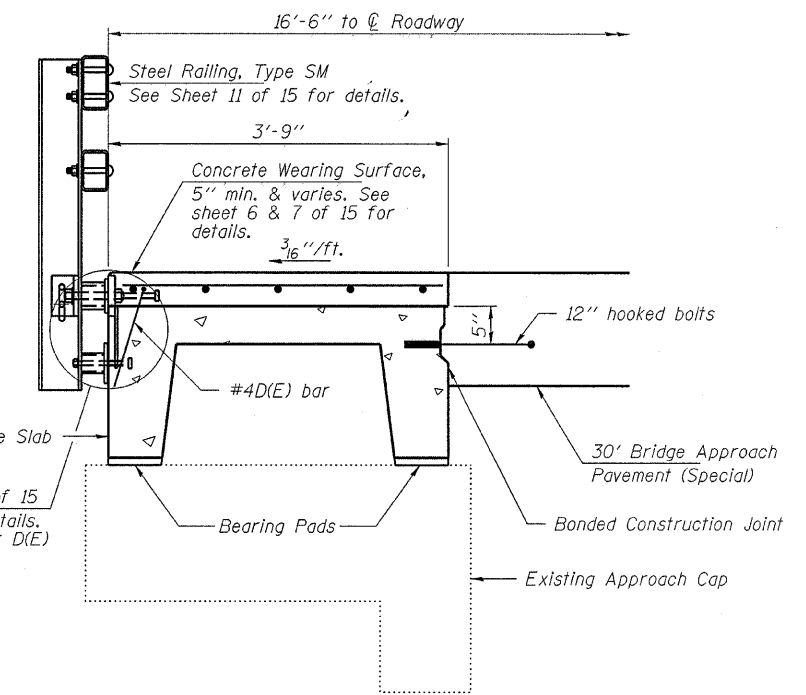
PLAN
Showing Slab Reinforcement

MATERIAL - FOR ONE BEAM

BAR	NO.	SIZE	LENGTH	SHAPE
A(E)	20	#4	4'-0"	[U]
A1(E)	39	#4	3'-3"	[—]
B(E)	10	#4	15'-6"	[—]
B1(E)	6	#4	3'-6"	[—]
G(E)	6	#8	18'-0"	[U]
S(E)	38	#3	3'-4"	[U]



LIFTING LOOP DETAIL



PROPOSED CROSS SECTION

BILL OF MATERIAL

ITEM	UNIT	QUANTITY
Precast Concrete Bridge Slab	Sq. Ft.	120

HAMPTON, LENZINI & RENWICK, INC.
CIVIL & STRUCTURAL ENGINEERS
LAND SURVEYORS
3085 STEVENSON DRIVE, SUITE 201
SPRINGFIELD, ILLINOIS 62703
(217) 546-3400

ELGIN • SPRINGFIELD

PROJECT NUMBER: 12-98-0016-1 DATE: 01/18/08
DESIGNED: M.D.C. CHECKED: P.S.L. DRAWN: D.T.M.

APPROACH DETAILS
IL. ROUTE 1 OVER BRANCH OF ROCK CREEK
F.A.P. ROUTE 782 / SECTION 115BR-2
HARDIN COUNTY
STATION 1015+72
STRUCTURE NO. 035-0003