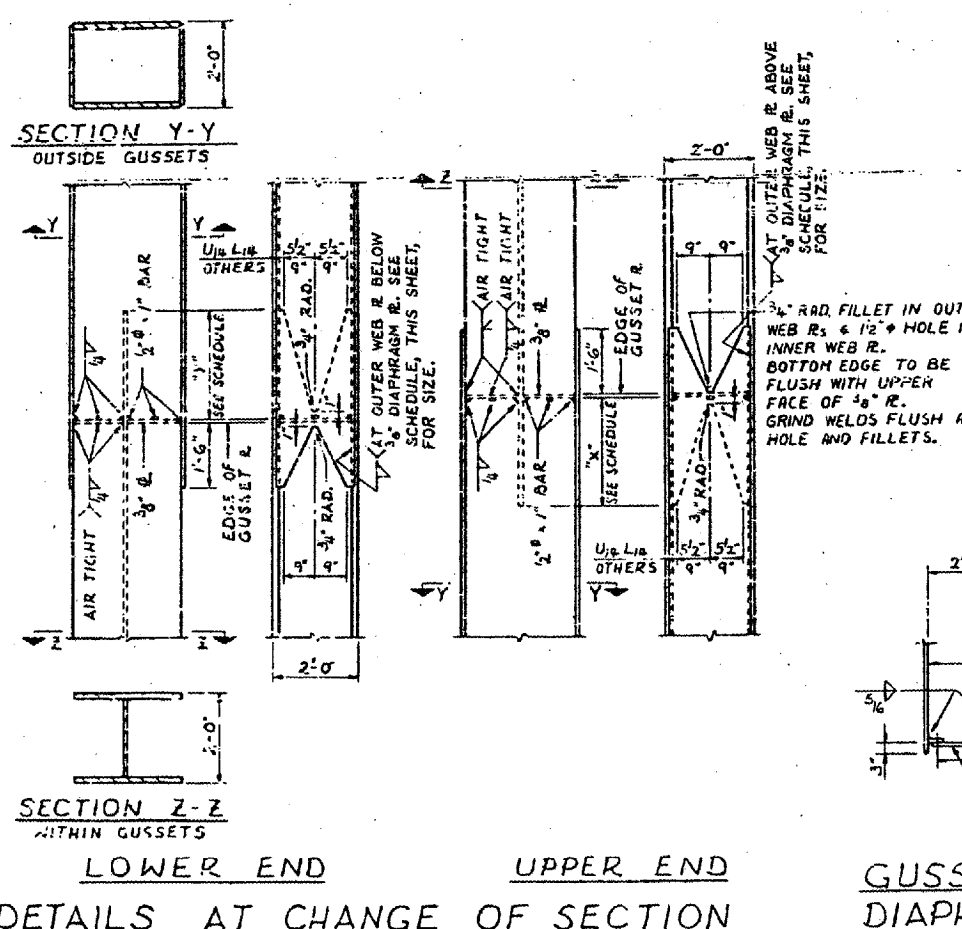
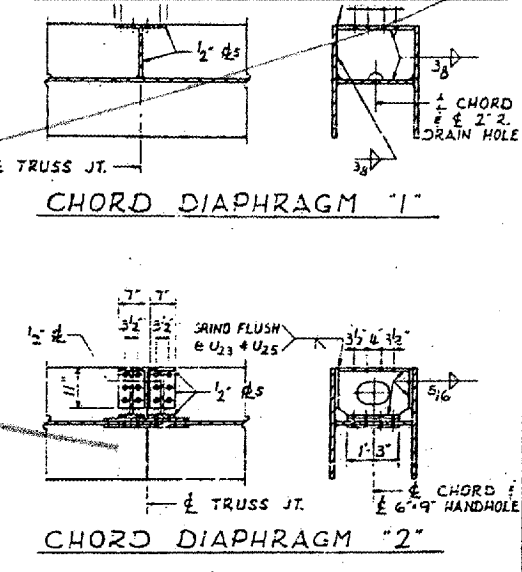
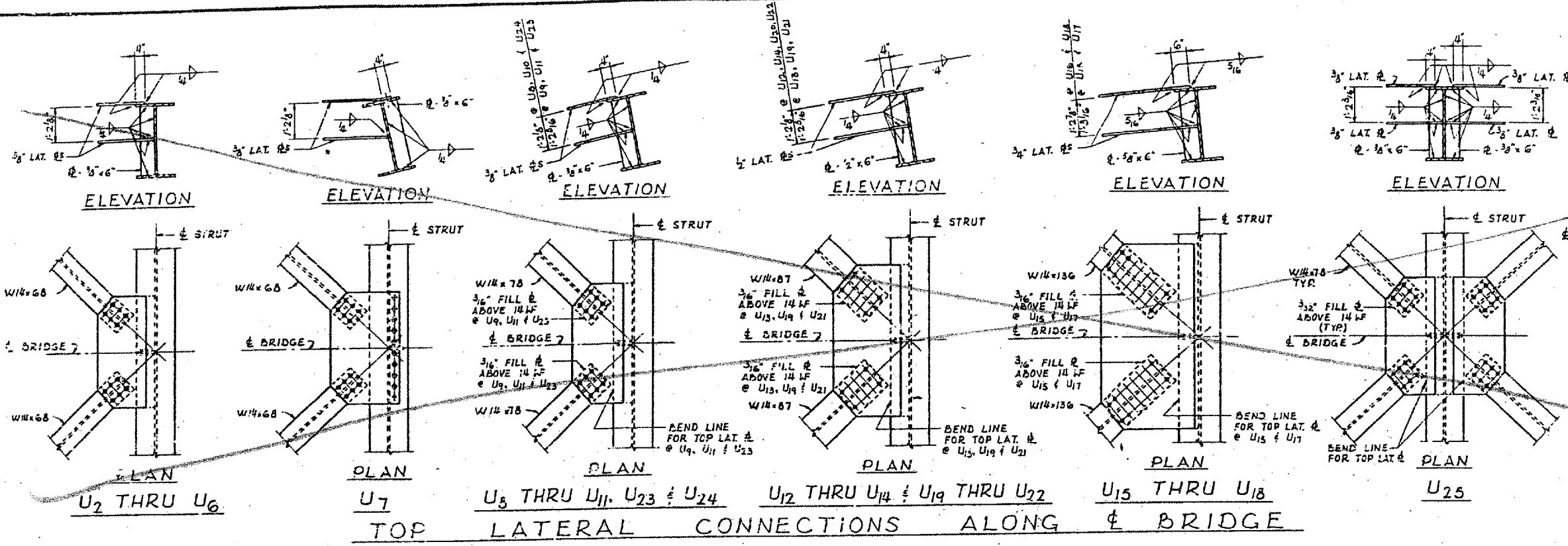
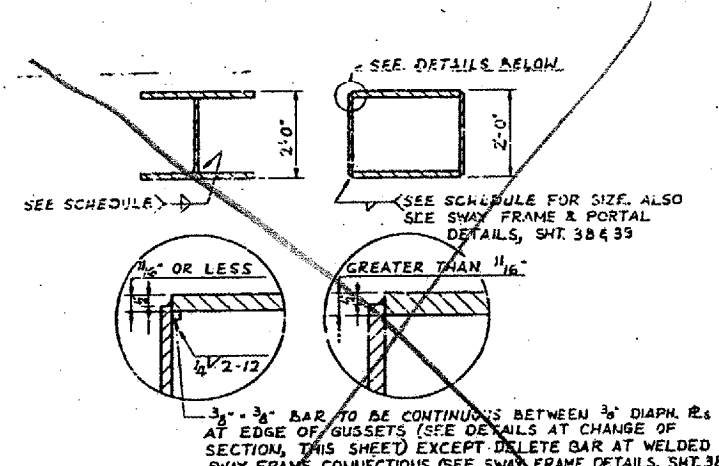
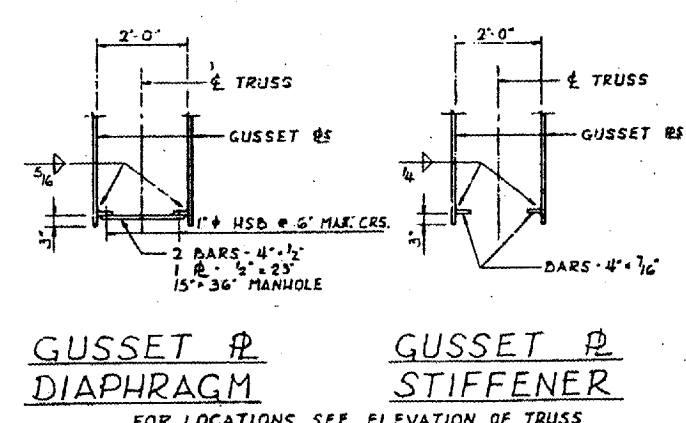


CONTRACT: 78040
 ROUTE: F.A.I. 57
 SECTION: (02-1B-1)P-1
 COUNTY: ALEXANDER, IL; MISSISSIPPI, MO
 SHEET 16 OF 67
 FOR INFORMATION ONLY

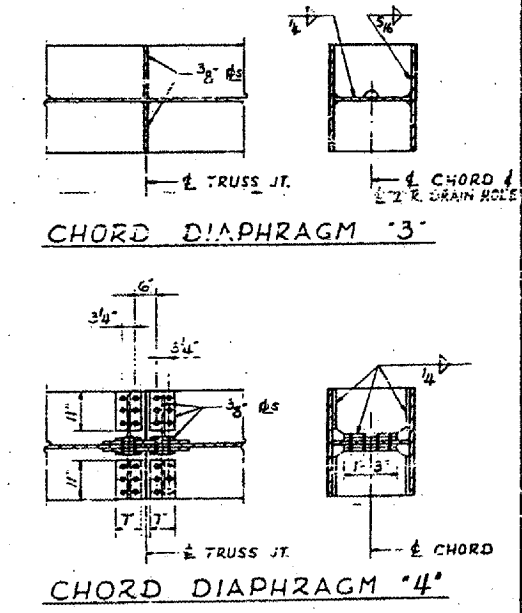


SCHEDULE OF "X" DIMENSIONS

MEMBER	"X"
L ₂ U ₉	3'-0"
U ₉ L ₁₀	2'-0"
L ₁₀ U ₁₁	3'-0"
U ₁₁ L ₁₂	2'-0"
L ₁₂ U ₁₃	3'-0"
U ₁₃ L ₁₄	3'-0"
L ₁₄ U ₁₅	3'-0"
U ₁₅ M ₁₆	2'-0"
M ₁₆ U ₁₇	2'-0"
U ₁₇ M ₁₈	3'-0"
M ₁₈ U ₁₉	2'-0"
U ₁₉ L ₁₄	3'-0"
ALL OTHERS	1'-6"



MATERIAL THICKNESS OF THICKER PART JOINED (IN.)	SIZE OF FILLET WELD (IN.)
TO 3/4" INCL.	1/4"
OVER 3/4" TO 1 1/2"	5/16"
OVER 1 1/2" TO 2 1/4"	3/8"
OVER 2 1/4"	



TRUSS DETAILS - MISCELLANEOUS
 F.A.I. RTE. 57 OVER THE MISSISSIPPI RIVER
 PROJECT 1-57-9 (10)
 SECTION (02-1B-1)F&E
 ALEXANDER COUNTY, ILLINOIS
 MISSISSIPPI COUNTY, MISSOURI
 STA. 1141 + 84.75 TO STA. 1182 + 75.25

* UNLESS OTHERWISE
WELD D BRIDGE NO. 1
 STRUCTURE NO. 002-0022
 FOR INFORMATION ONLY