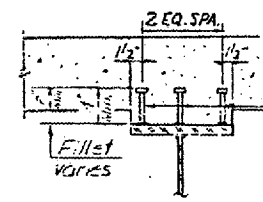
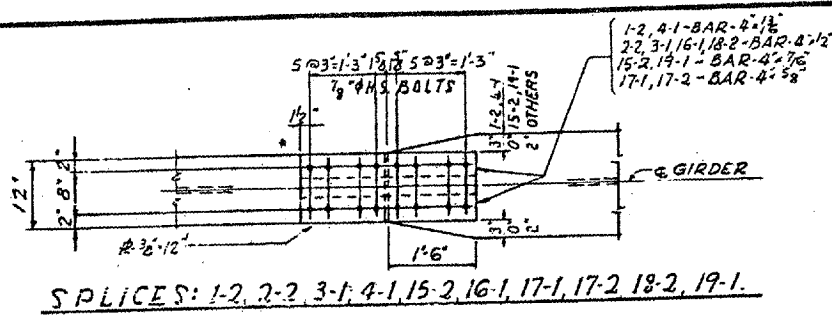


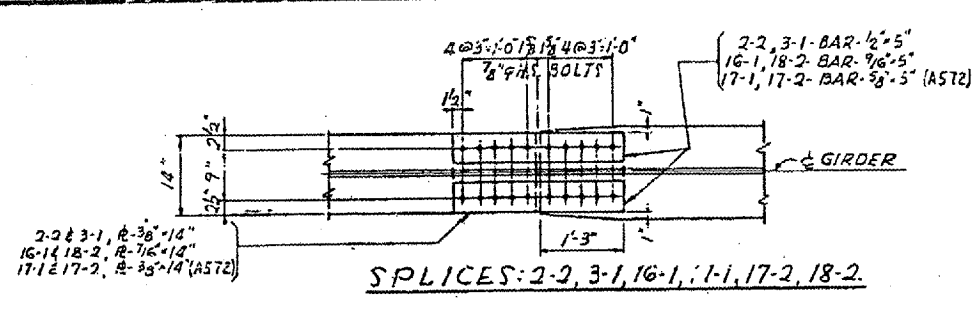
CONTRACT: 78040
 ROUTE: F.A.I. 57
 SECTION: (02-1B-1)P-1
 COUNTY: ALEXANDER, IL; MISSISSIPPI, MO
 SHEET 25 OF 67
 FOR INFORMATION ONLY



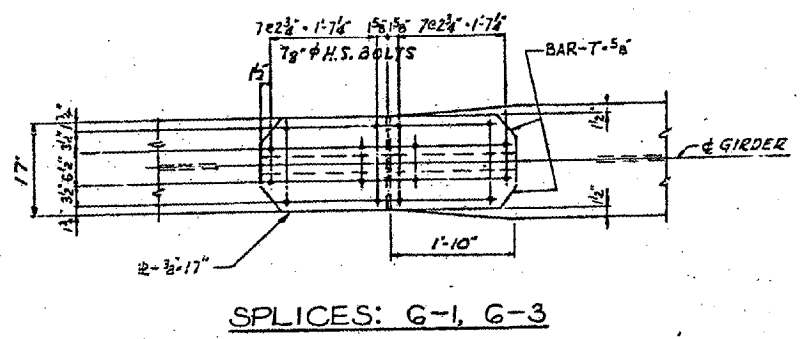
SHEAR LUG DETAIL



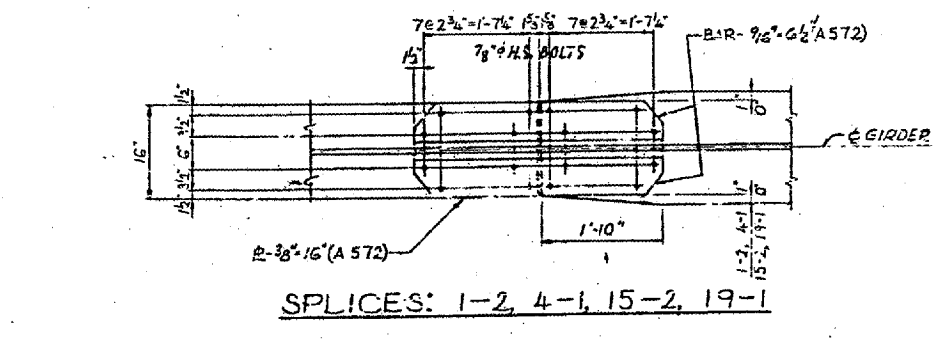
SPLICES: 1-2, 2-2, 3-1, 4-1, 15-2, 16-1, 17-1, 17-2, 18-2, 19-1.



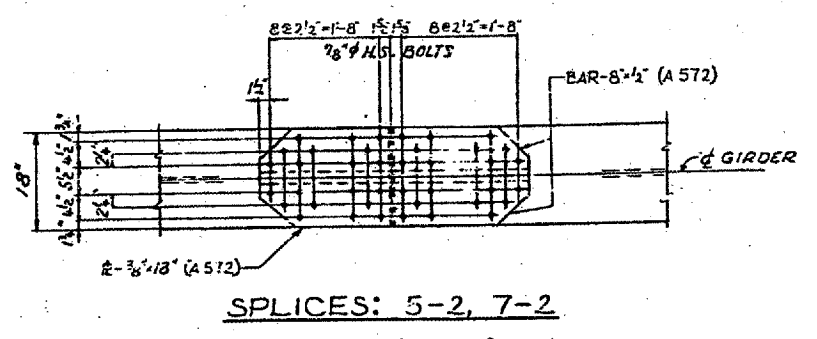
SPLICES: 2-2, 3-1, 16-1, 17-1, 17-2, 18-2.



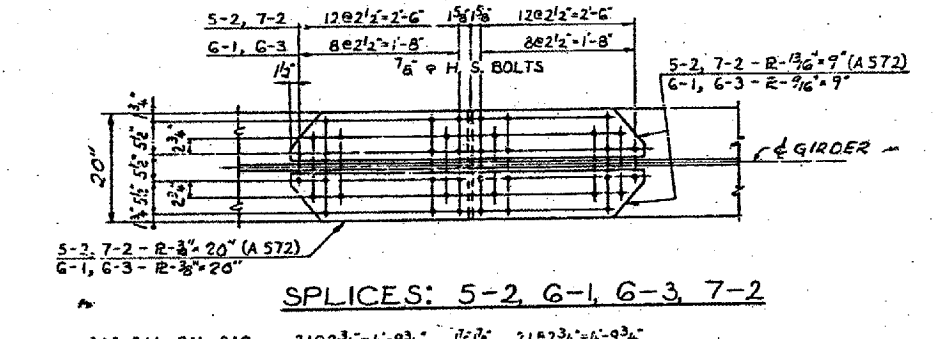
SPLICES: 6-1, 6-3



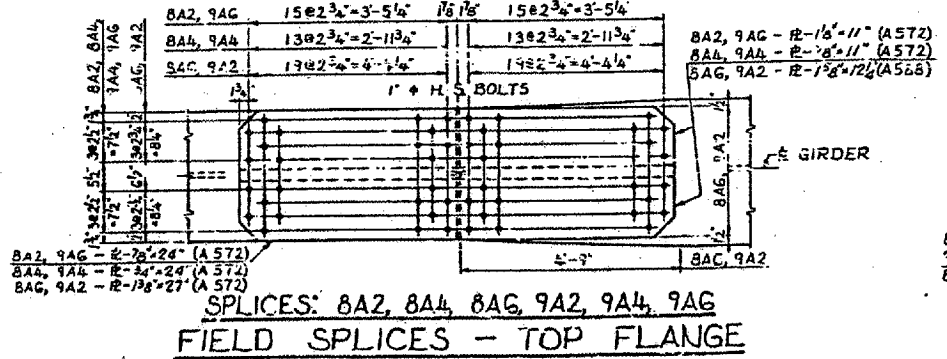
SPLICES: 1-2, 4-1, 15-2, 19-1



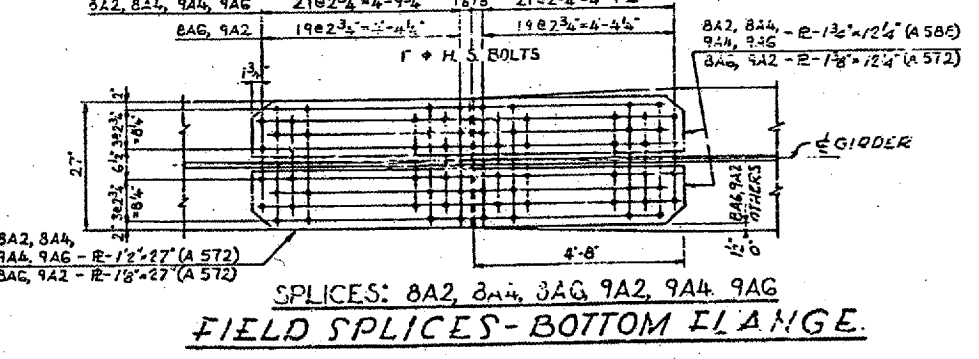
SPLICES: 5-2, 7-2



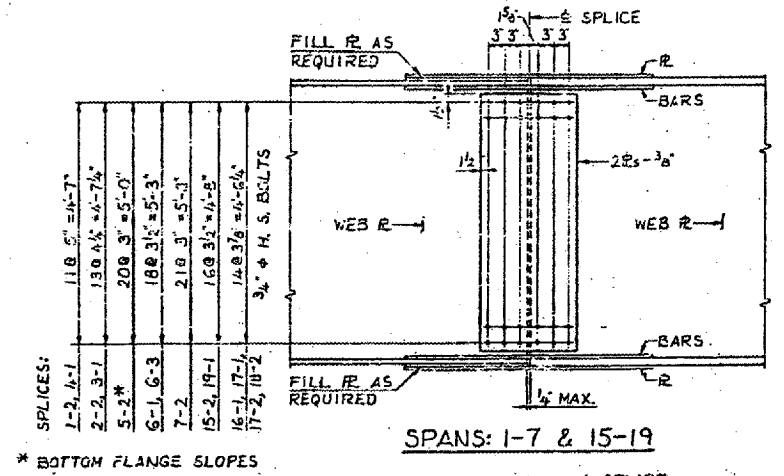
SPLICES: 5-2, 6-1, 6-3, 7-2



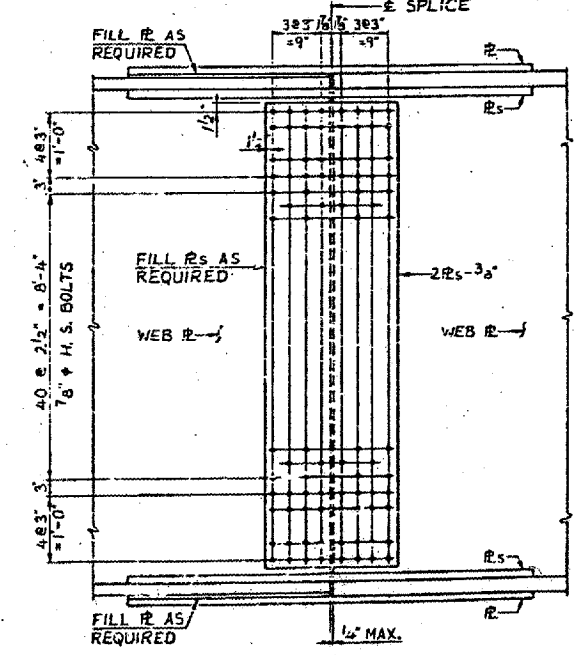
**SPLICES: 8A2, 8A4, 8A6, 9A2, 9A4, 9A6
 FIELD SPLICES - TOP FLANGE**



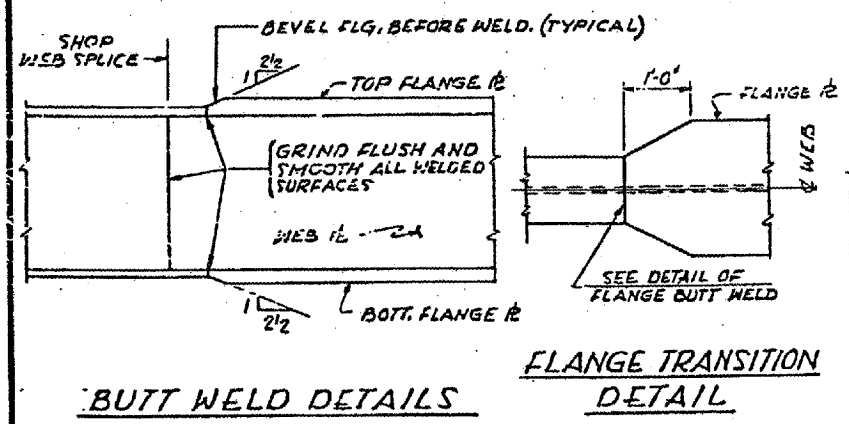
**SPLICES: 8A2, 8A4, 8A6, 9A2, 9A4, 9A6
 FIELD SPLICES - BOTTOM FLANGE.**



SPANS: 1-7 & 15-19



**SPANS: 8A & 9A
 WEB SPLICES**

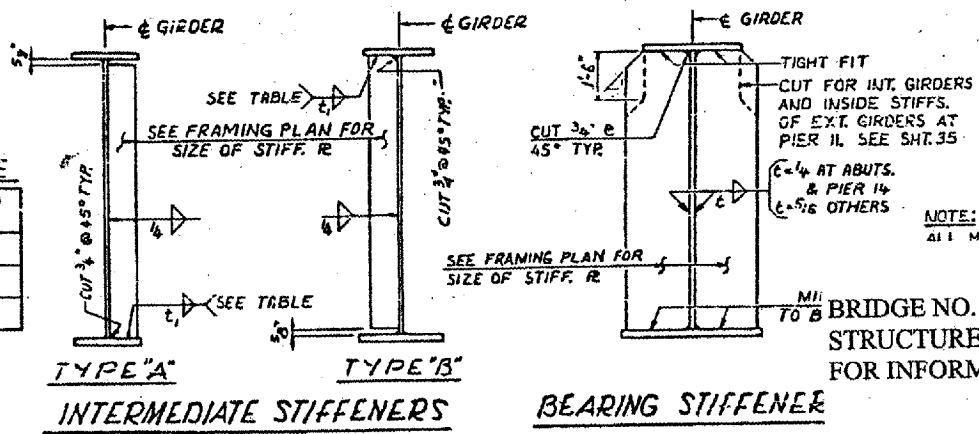


BUTT WELD DETAILS

**FLANGE TRANSITION
 DETAIL**

FILLET WELD (t) TABLE

FLANGE R THICKNESS	WELD SIZE
OVER 1/2" TO 3/4"	1/4
OVER 3/4" TO 1 1/2"	5/16
OVER 1 1/2" TO 2 1/4"	3/8



**TYPE "A"
 INTERMEDIATE STIFFENERS**

**TYPE "B"
 BEARING STIFFENER**

BRIDGE NO. 1
 STRUCTURE NO. 002-0022
 FOR INFORMATION ONLY

FIELD SPLICES & DETAILS-SPANS 1 TO 15 TO 19
 F.A.I. RTE. 57 OVER THE MISSISSIPPI RIVER
 PROJECT 1-57-9(5)D
 SECTION (02-1B-1)D
 ALEXANDER COUNTY, ILLINOIS
 MISSISSIPPI COUNTY, MISSOURI
 STA. 1141 + 84.75 TO STA. 1162 + 75.25