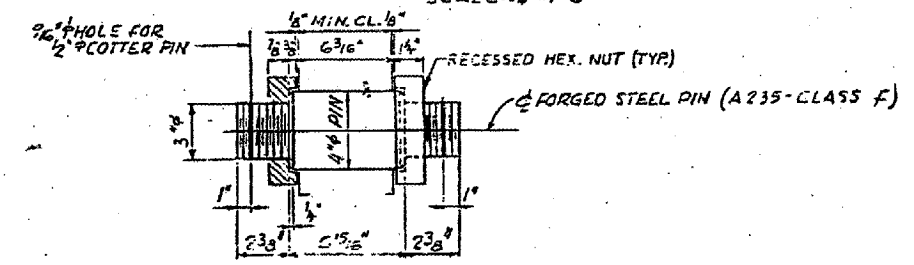
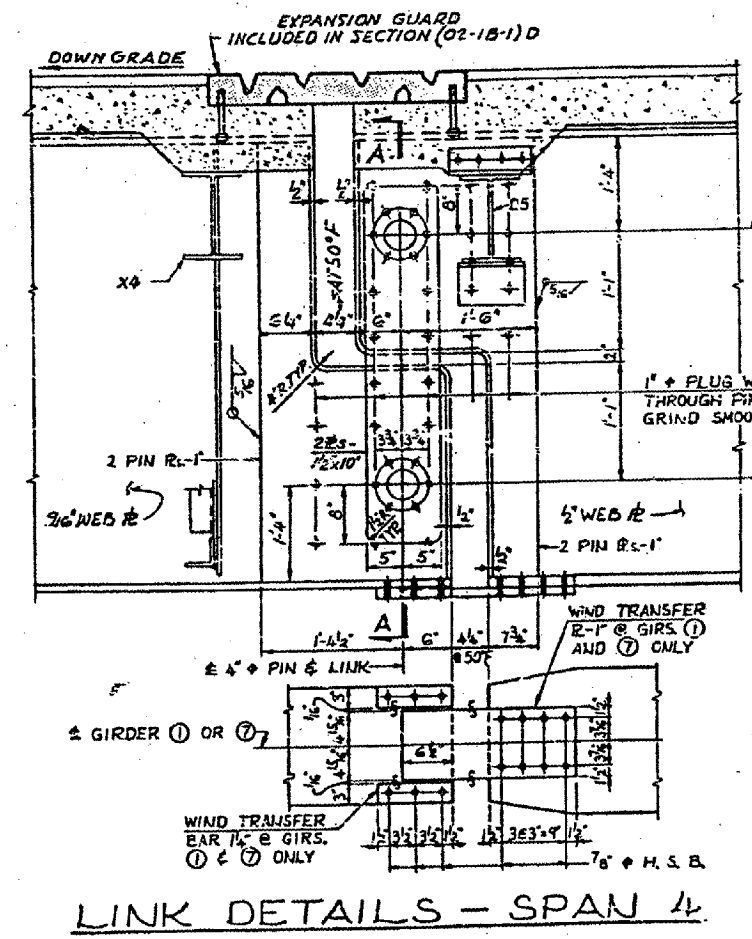
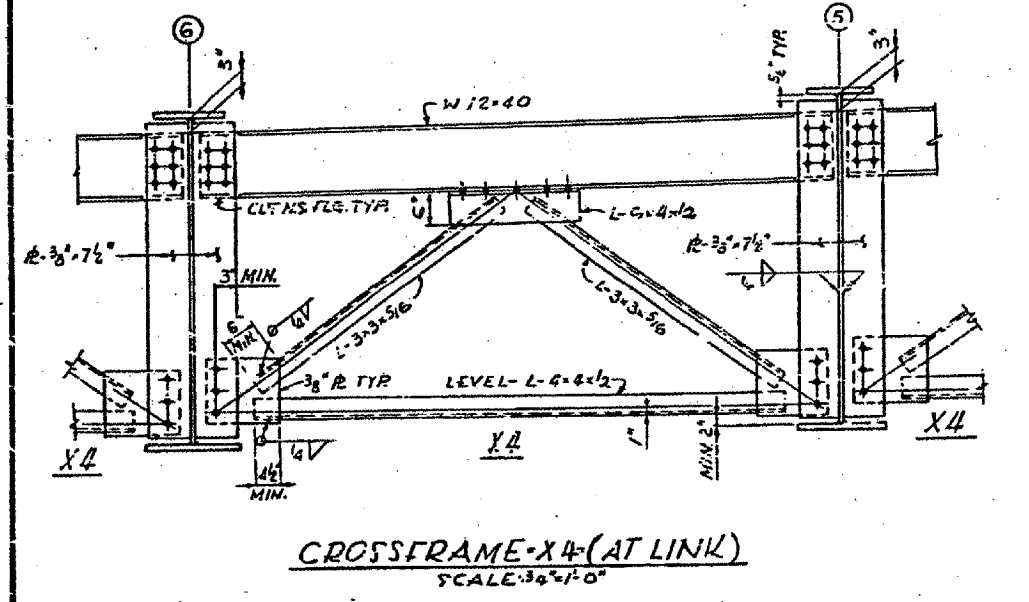
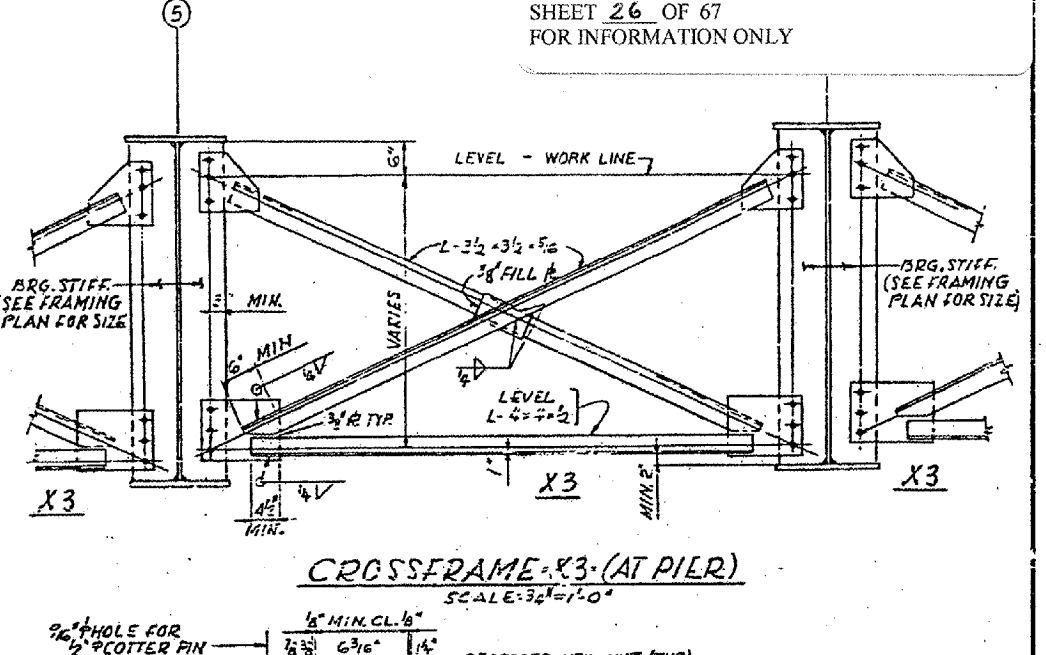
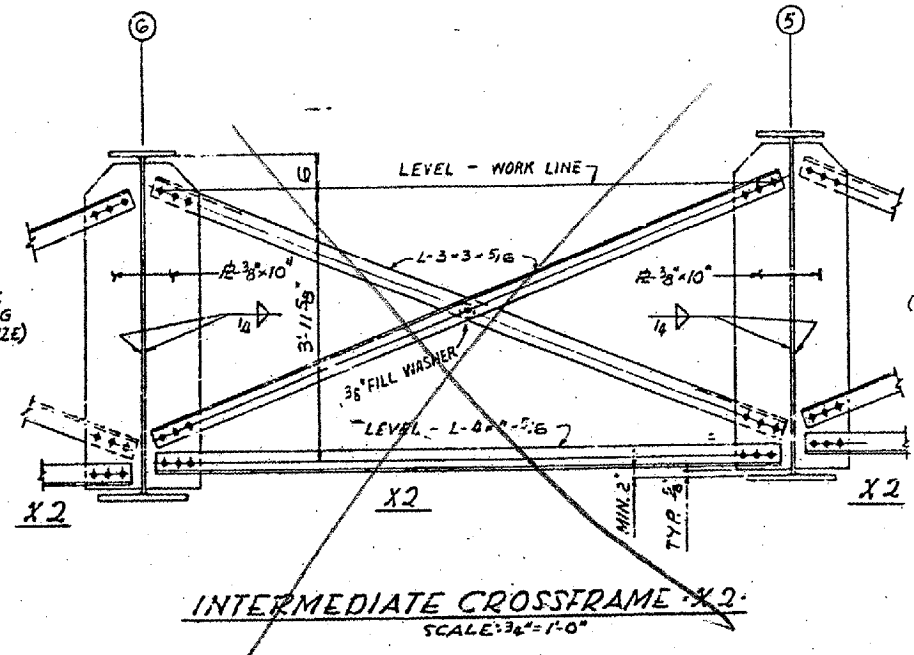
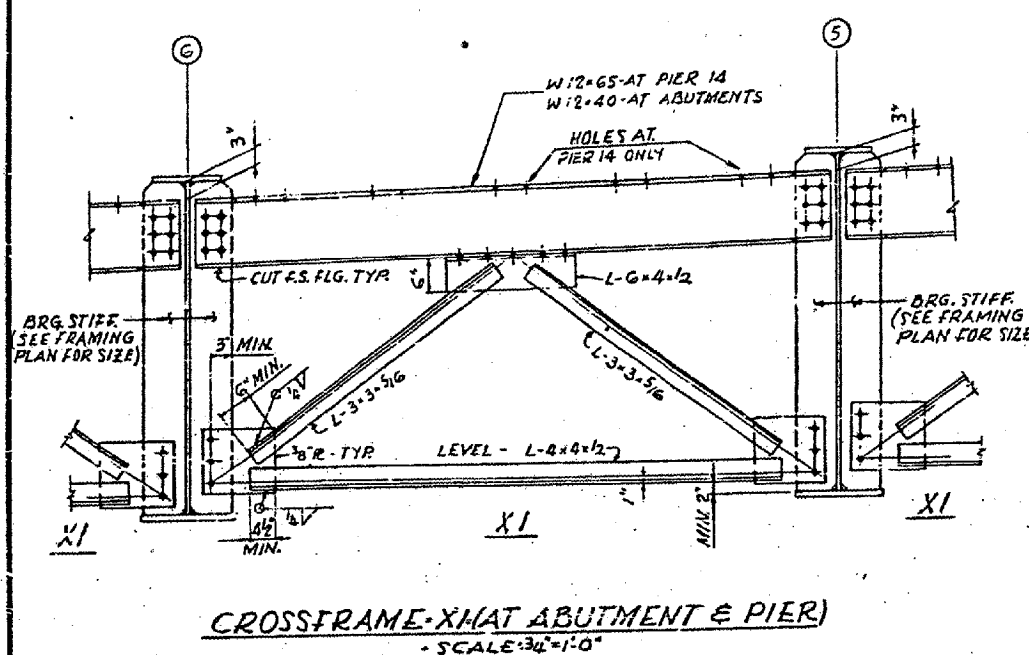
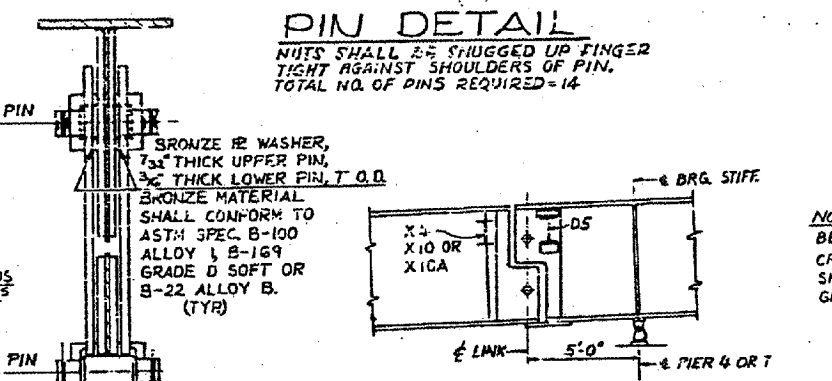


CONTRACT: 78040
 ROUTE: F.A.I. 57
 SECTION: (02-1B-1)P-1
 COUNTY: ALEXANDER, IL; MISSISSIPPI, MO
 SHEET 26 OF 67
 FOR INFORMATION ONLY



NUTS SHALL BE SHUDD UP FINGER TIGHT AGAINST SHOULDERS OF PIN. TOTAL NO. OF PINS REQUIRED = 14



NOTE: LINK SHALL BE TRULY VERTICAL AT 50°. CROSSFRAMES & DIAPHRAGMS SHALL BE AT RIGHT ANGLES TO GIRDER FLANGE.

SECTION A-A

NOTES: ALL FASTENERS SHALL BE 3/4\"/>

BRIDGE NO. 1
 STRUCTURE NO. 002-0022
 FOR INFORMATION ONLY

GIRDER CROSSFRAMES AND LINK DETAILS
 F.A.I. RTE. 57 OVER THE MISSISSIPPI RIVER
 PROJECT 1-57-9 (510)
 SECTION (02-1B-1)D
 ALEXANDER COUNTY, ILLINOIS
 MISSISSIPPI COUNTY, MISSOURI
 STA. 1141 + 84.75 TO STA. 1182 + 75.55

