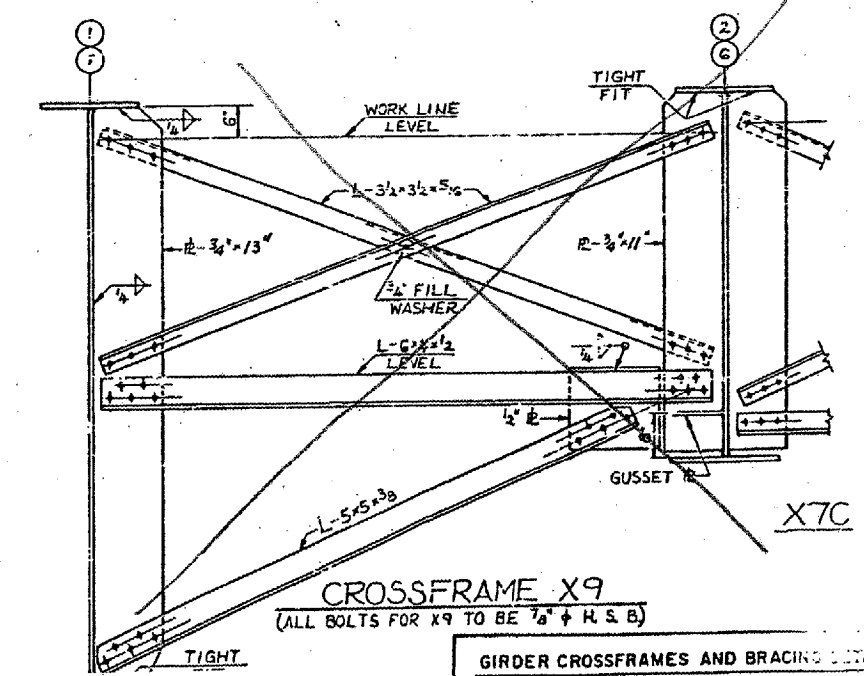
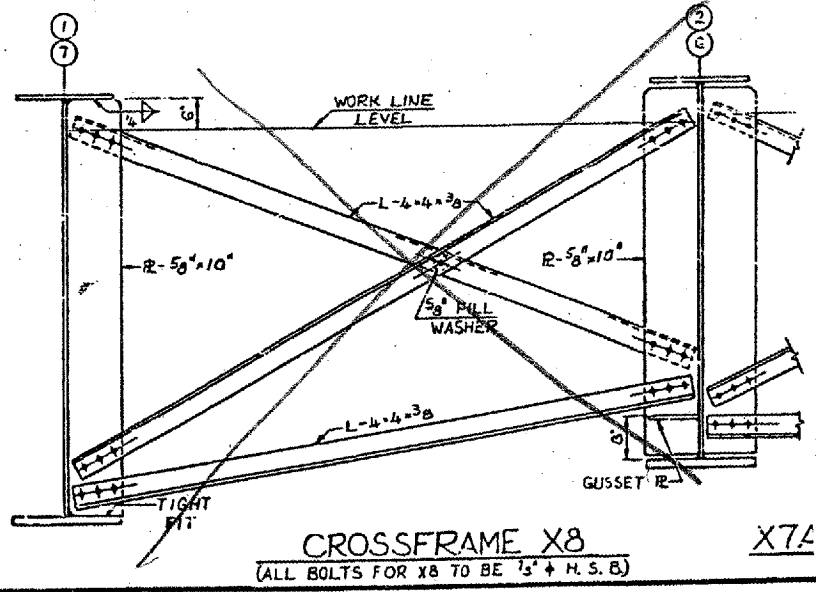
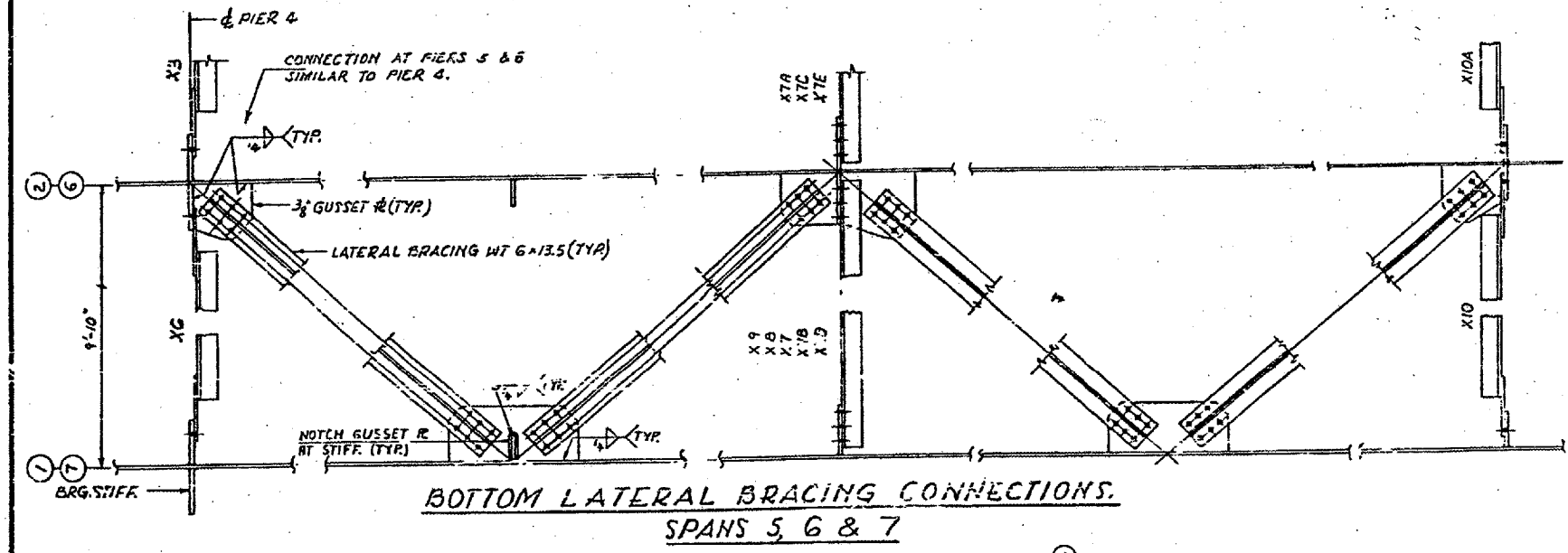
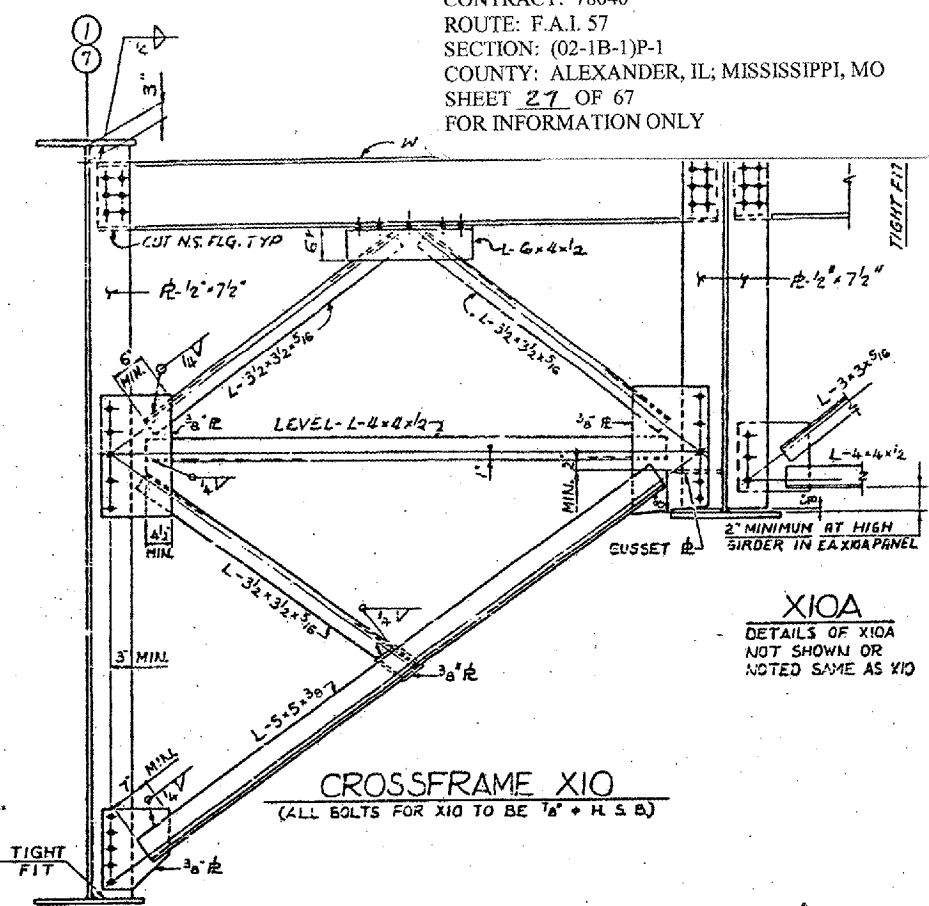
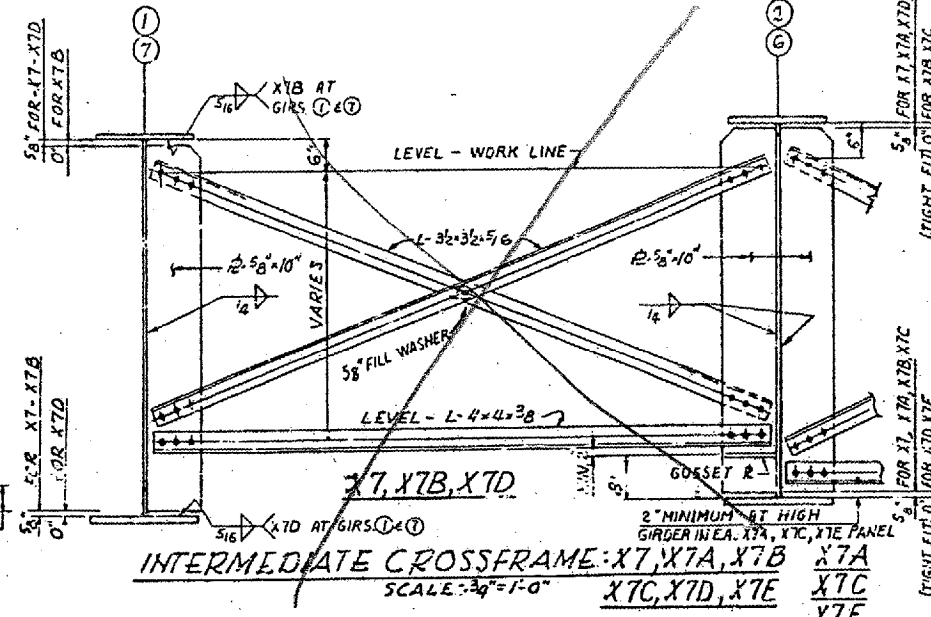
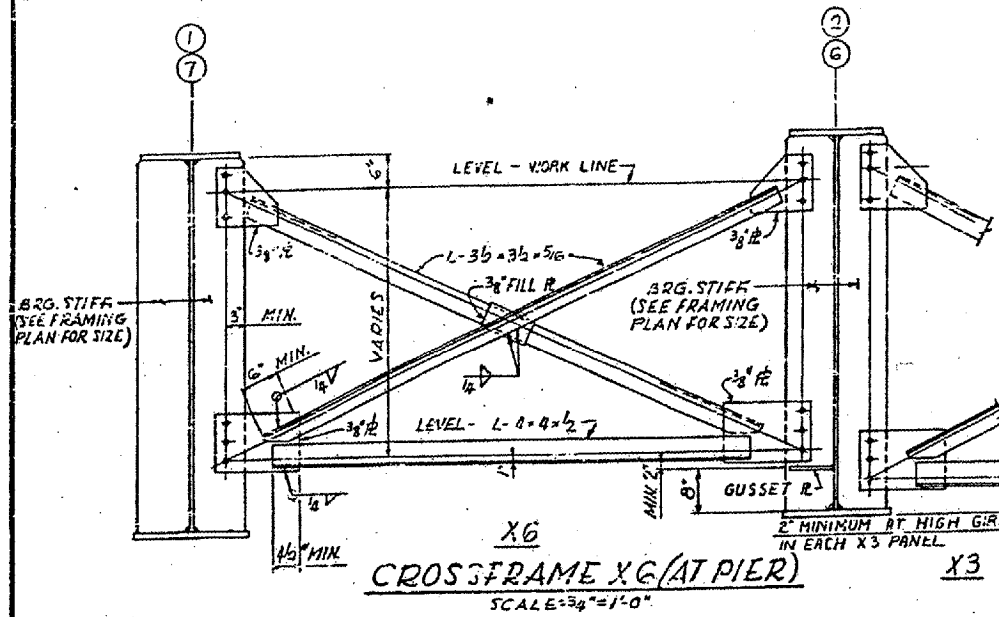


CONTRACT: 78040  
 ROUTE: F.A.I. 57  
 SECTION: (02-1B-1)P-1  
 COUNTY: ALEXANDER, IL; MISSISSIPPI, MO  
 SHEET 27 OF 67  
 FOR INFORMATION ONLY



NOTES:  
 ALL MATERIAL ASTM A36 UNLESS NOTED.  
 ALL FASTENERS SHALL BE 3/8" + ASTM A325 HIGH STRENGTH BOLTS UNLESS NOTED.  
 FOR DETAIL OF STIFFENERS, SEE SHI. 44

BRIDGE NO. 1  
 STRUCTURE NO. 002-0022  
 FOR INFORMATION ONLY

GIRDER CROSSFRAMES AND BRACING DETAILS  
 F.A.I. RTE. 57 OVER THE MISSISSIPPI RIVER  
 PROJECT 1-57-9(5)D  
 SECTION (02-1B-1)D  
 ALEXANDER COUNTY, ILLINOIS  
 MISSISSIPPI COUNTY, MISSOURI  
 STA. 1141 + 84.75 TO STA. 1182 + 75.25