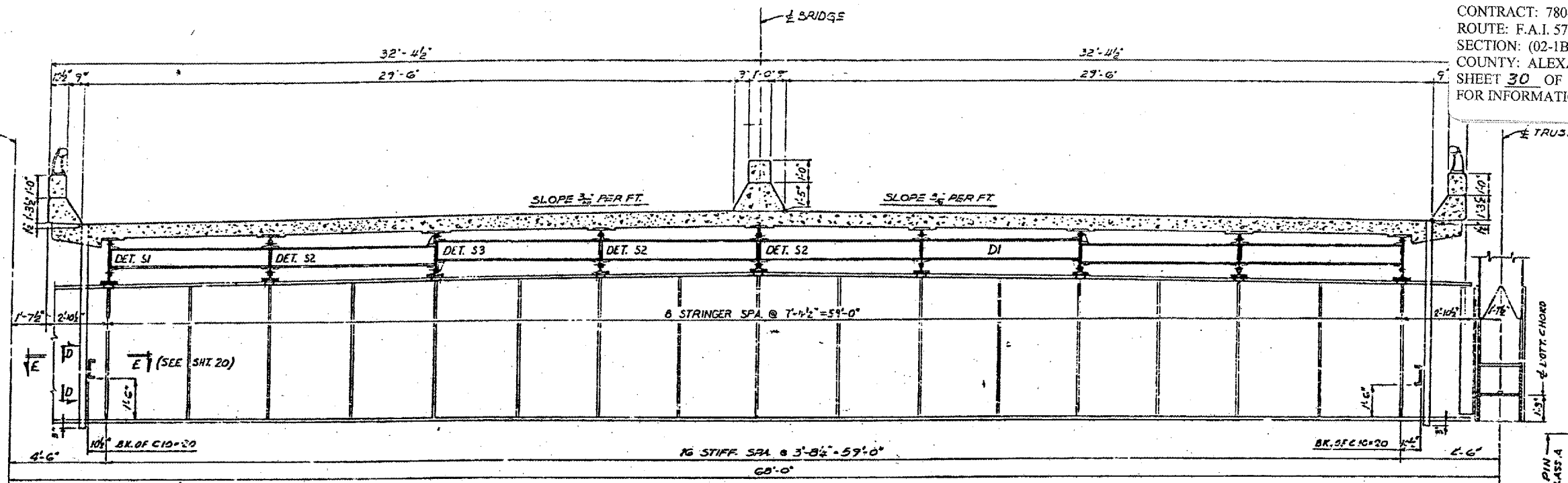
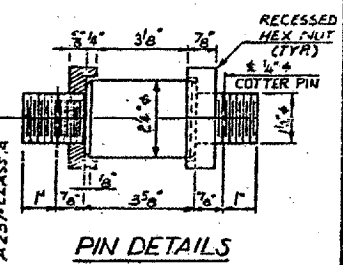


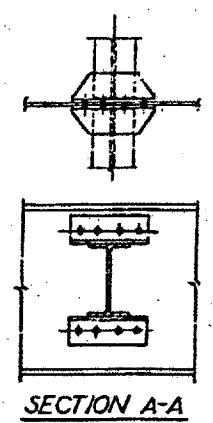
CONTRACT: 78040
 ROUTE: F.A.I. 57
 SECTION: (02-1B-1)P-1
 COUNTY: ALEXANDER, IL; MISSISSIPPI, MO
 SHEET 30 OF 67
 FOR INFORMATION ONLY



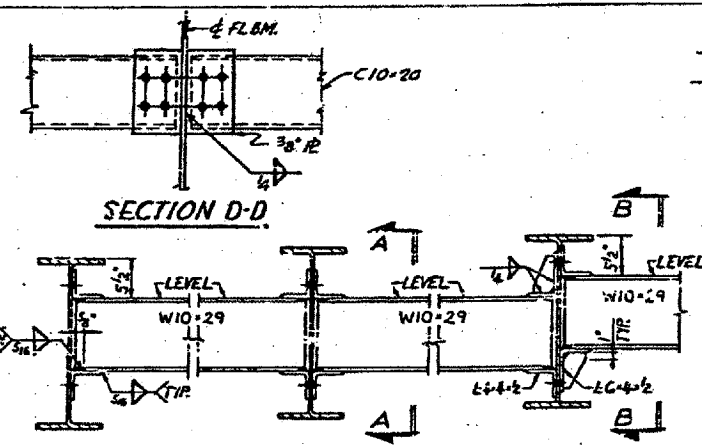
TYPICAL CROSS - SECTION
 SCALE: 3/8"=1'-0"



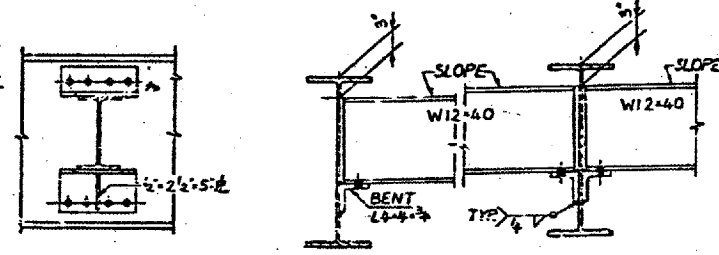
PIN DETAILS



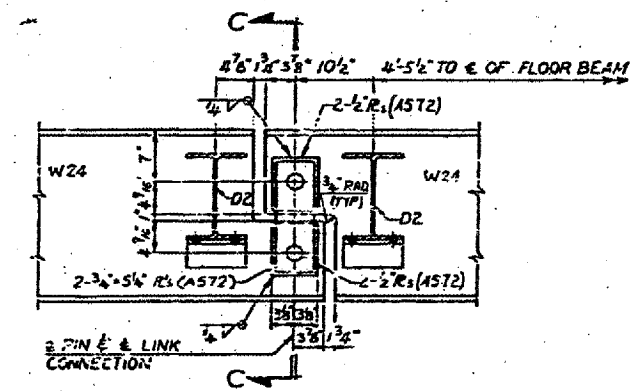
SECTION A-A



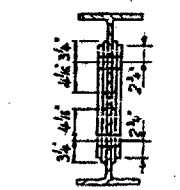
DIAPHRAGM D1 DETAILS
 SCALE: 1/4"=1'-0"



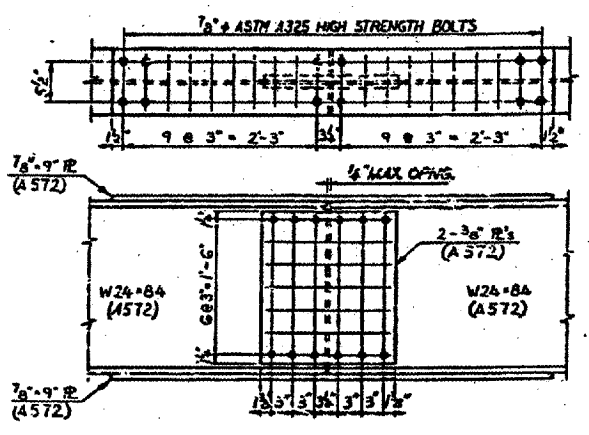
DIAPHRAGM D2 DETAILS
 SCALE: 1/4"=1'-0"



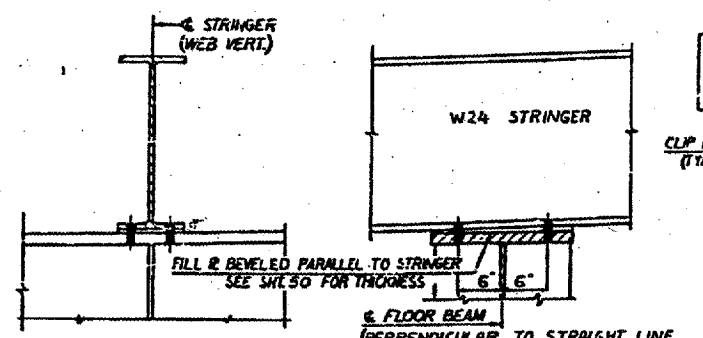
LINK CONNECTION
 SCALE: 1/4"=1'-0"



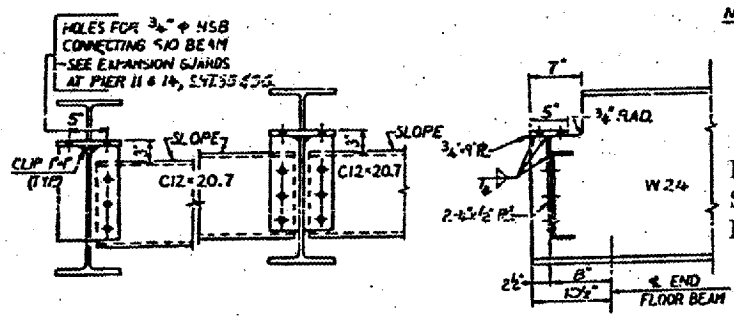
SECTION C-C



TYPICAL STRINGER SPLICE
 SCALE: 1/4"=1'-0"



CONNECTION OF STRINGER TO FLOOR BEAM
 SCALE: 1/4"=1'-0"



DIAPHRAGM D3 DETAILS
 SCALE: 1/4"=1'-0"

NOTES:
 ALL MATERIAL ASTM A36 UNLESS NOTED
 ALL FASTENERS SHALL BE 3/4" x ASTM A325
 HIGH STRENGTH BOLTS UNLESS NOTED.
 FOR FLOOR BEAMS, SEE SHT. 52

BRIDGE NO. 1
 STRUCTURE NO. 002-0022
 FOR INFORMATION ONLY

FLOOR STEEL DETAILS - SPANS 12, 13 & 14
 F.A.I. RTE. 57 OVER THE MISSISSIPPI RIVER
 PROJECT 1-57-9(5)0
 SECTION (02-1B-1)D
 ALEXANDER COUNTY, ILLINOIS
 MISSISSIPPI COUNTY, MISSOURI
 STA. 1141 + 84.78 TO STA. 1182 + 75.25

ALFRED BENESCH & COMPANY
 CONSULTING ENGINEERS
 10 S. WABASH AVE. CHICAGO, ILLINOIS