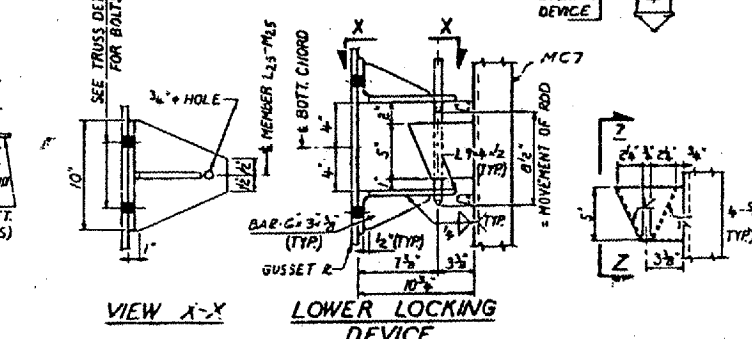
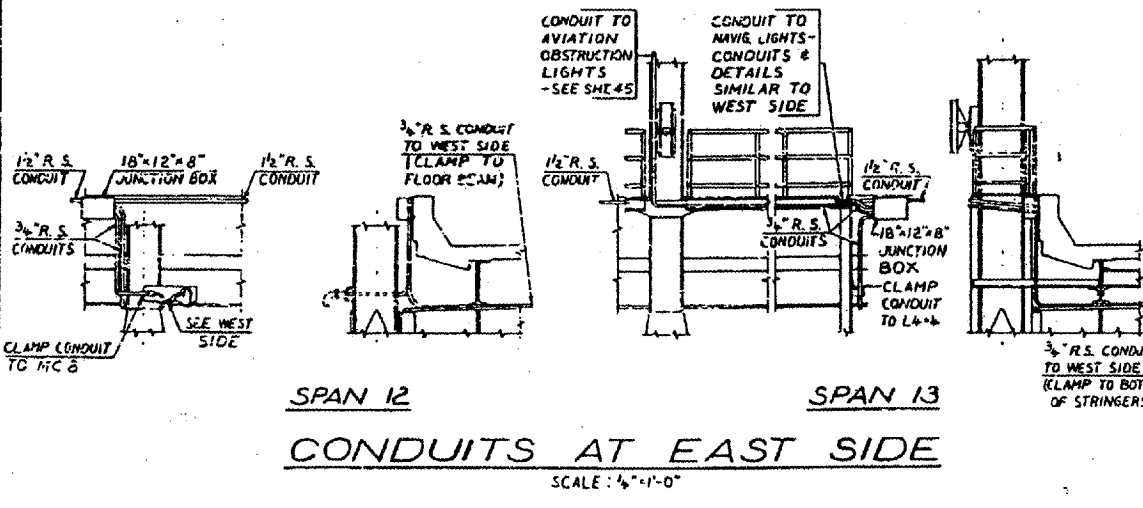
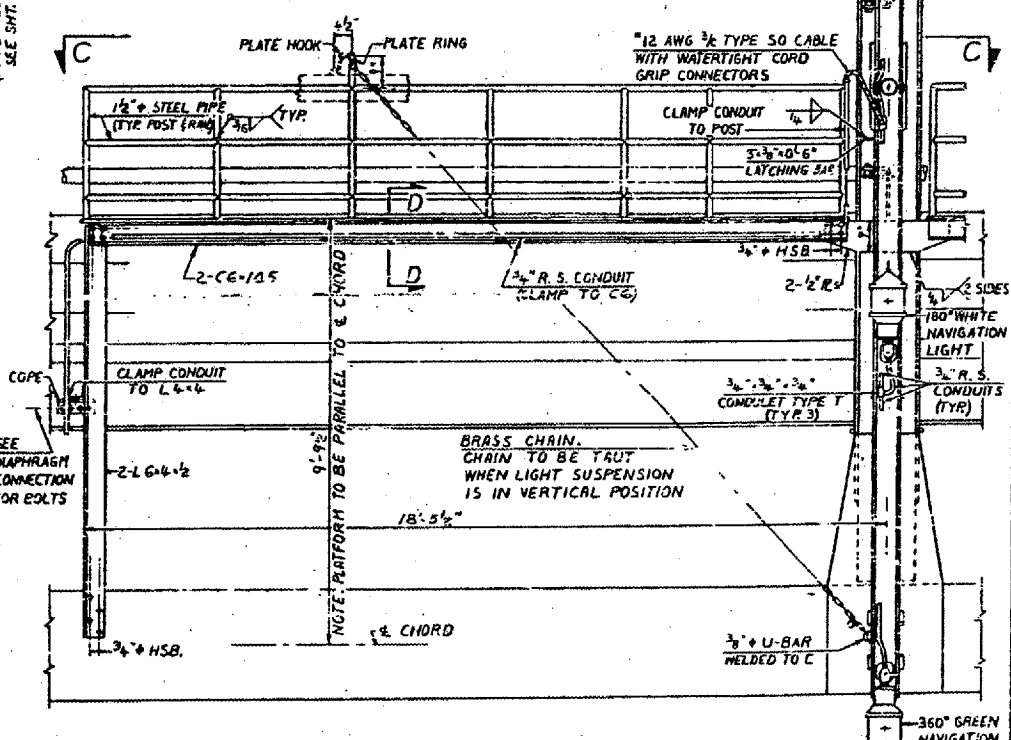
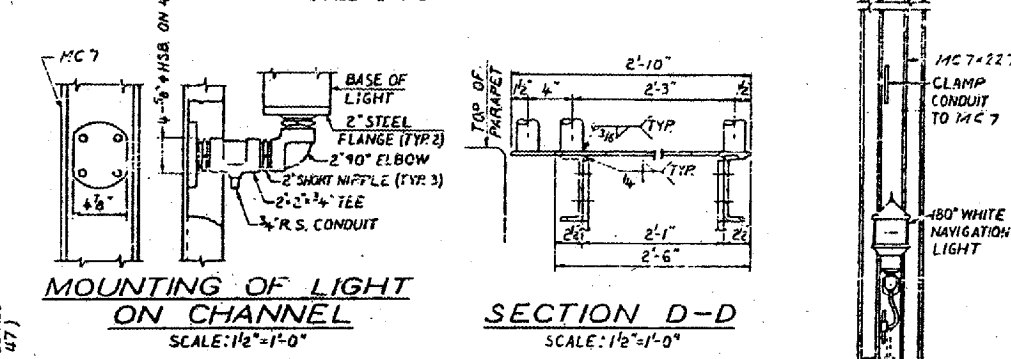
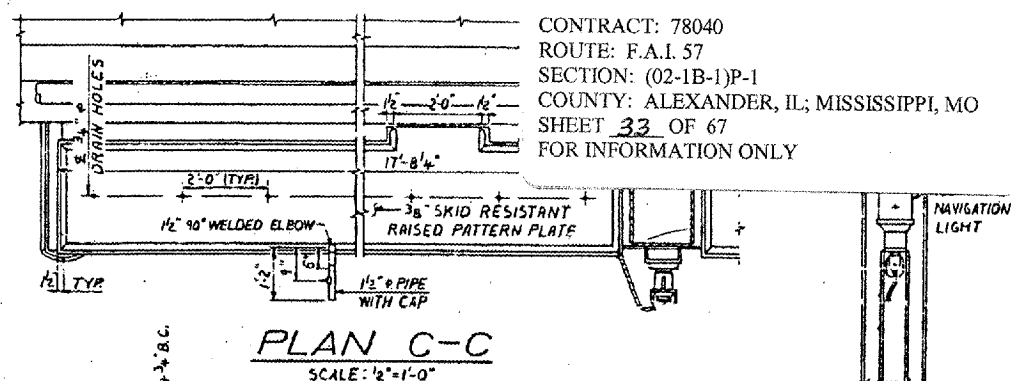
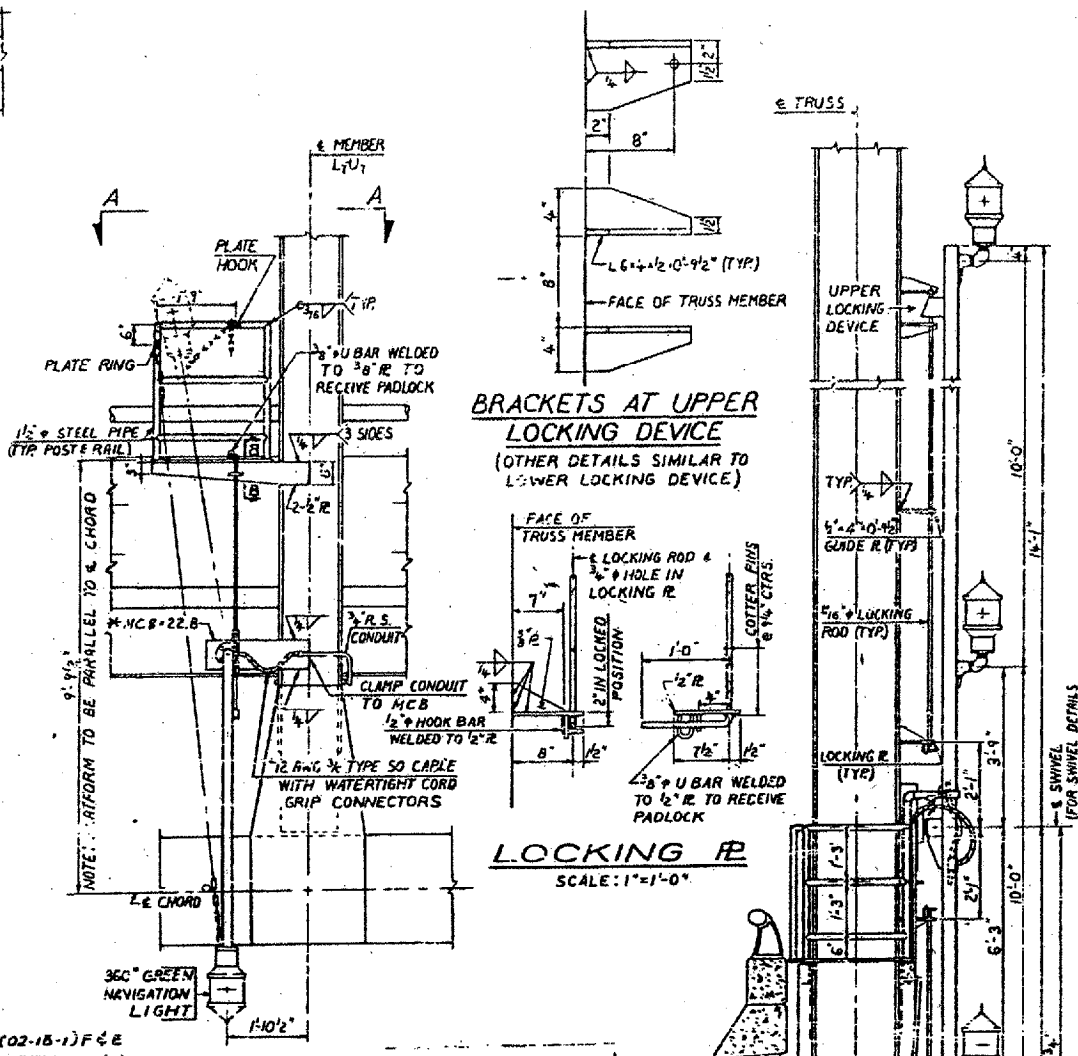
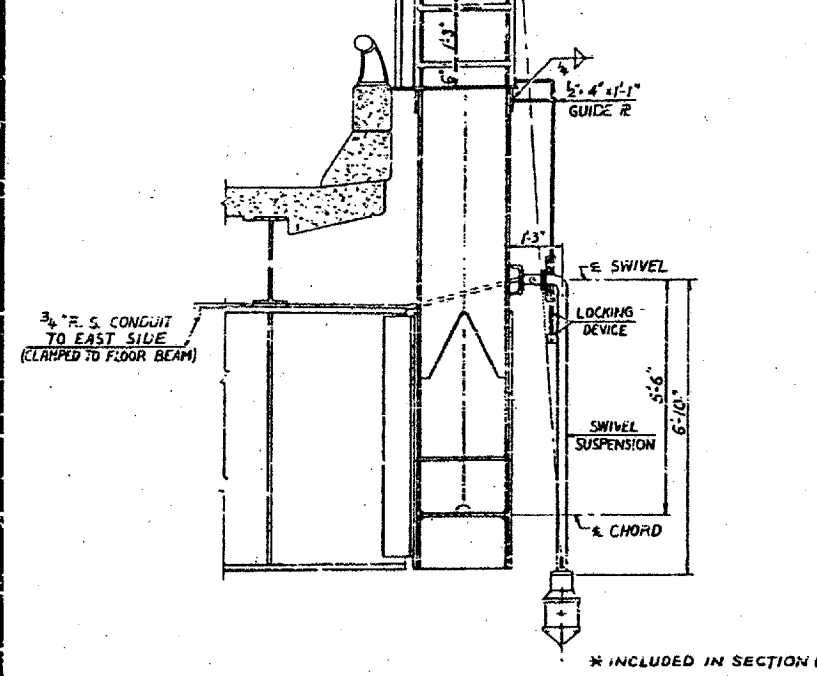
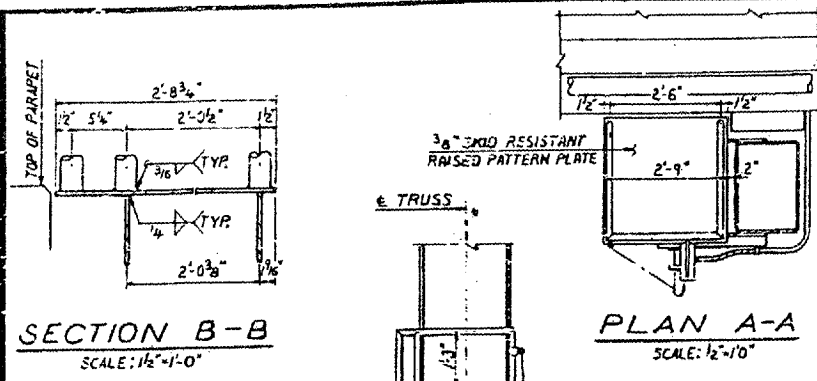


CONTRACT: 78040
 ROUTE: F.A.I. 57
 SECTION: (02-1B-1)P-1
 COUNTY: ALEXANDER, IL; MISSISSIPPI, MO
 SHEET 33 OF 67
 FOR INFORMATION ONLY



BRIDGE NO. 1
 STRUCTURE NO. 002-0022
 FOR INFORMATION ONLY

| |
|---|
| CENTER OF CHANNEL NAVIGATION LIGHT DETAILS F. A. I. RTE. 57 OVER THE MISSISSIPPI RIVER PROJECT 1-57-9(10) SECTION (02-1B-1)F&E ALEXANDER COUNTY, ILLINOIS MISSISSIPPI COUNTY, MISSOURI STA. 1141 + 84.75 TO STA. 1162 + 75.25 |
|---|