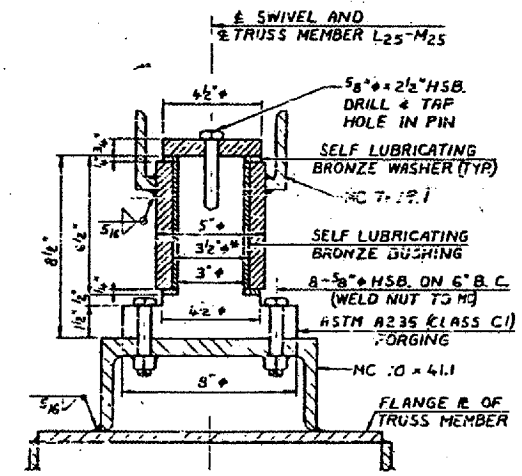
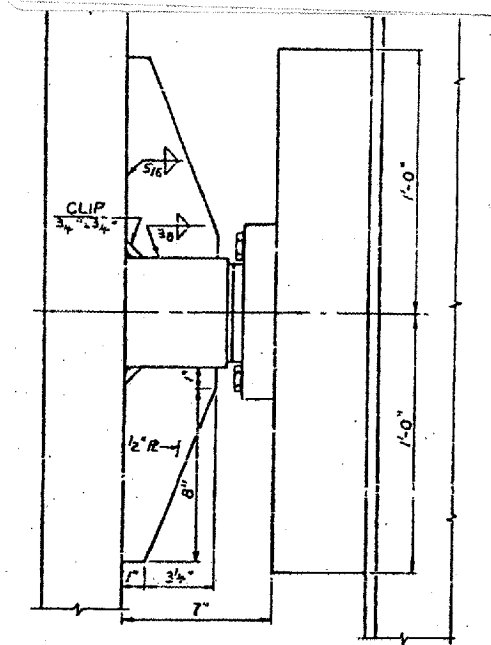
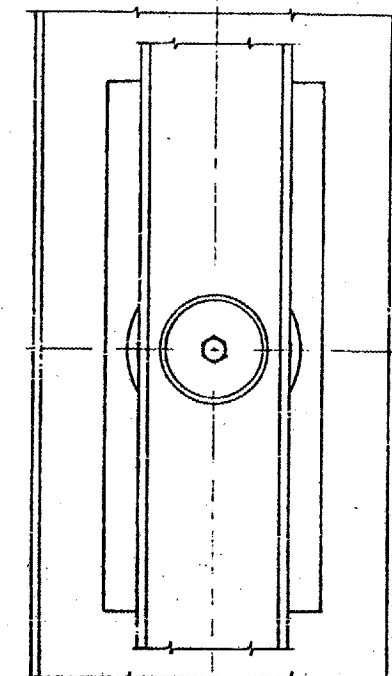
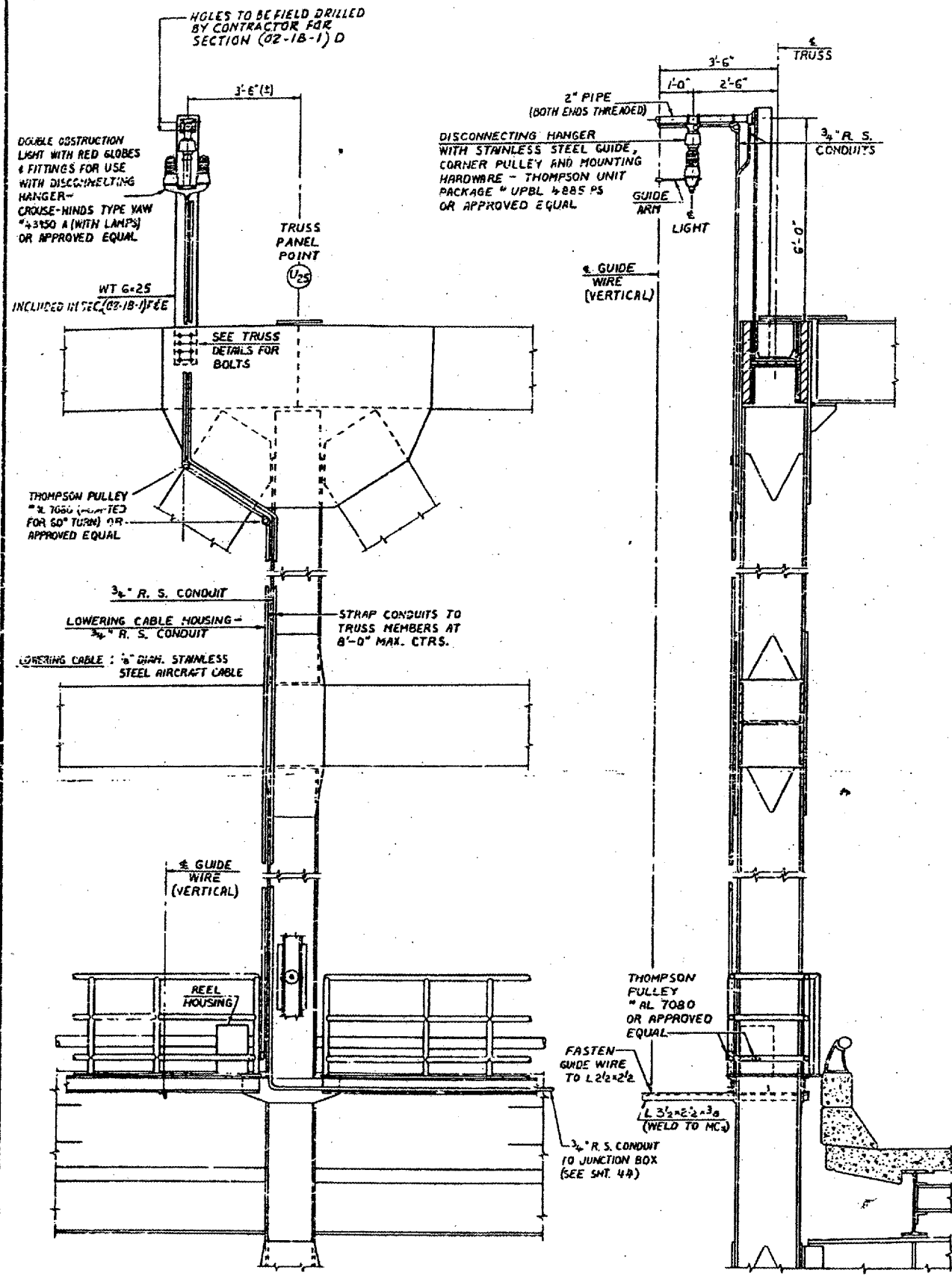


CONTRACT: 78040
 ROUTE: F.A.I. 57
 SECTION: (02-1B-1)P-1
 COUNTY: ALEXANDER, IL; MISSISSIPPI, MO
 SHEET 34 OF 67
 FOR INFORMATION ONLY



CLEARANCES AND SURFACE FINISHES SHALL BE AS REQUIRED FOR PROPER OPERATION OF THE SELF LUBRICATING BUSHING AND WASHERS

* INTERFERENCE FIT BETWEEN BUSHING & HOUSING

SWIVEL FOR NAVIGATION LIGHT SUSPENSION IN SPAN 13

SCALE: 3" = 1'-0"

AVIATION OBSTRUCTION LIGHTING DETAILS

ON EAST SIDE OF BRIDGE
 SCALE: 1/2" = 1'-0"

BRIDGE NO. 1
 STRUCTURE NO. 002-0022
 FOR INFORMATION ONLY

AVIATION OBSTRUCTION LIGHT TAILS
 F.A.I. RTE. 57 OVER THE MISSISSIPPI RIVER
 PROJECT 1-57-9110
 SECTION (02-1B-1) F&E
 ALEXANDER COUNTY, ILLINOIS
 MISSISSIPPI COUNTY, MISSOURI
 STA. 1141 + 84.75 TO STA. 1182 + 75.25