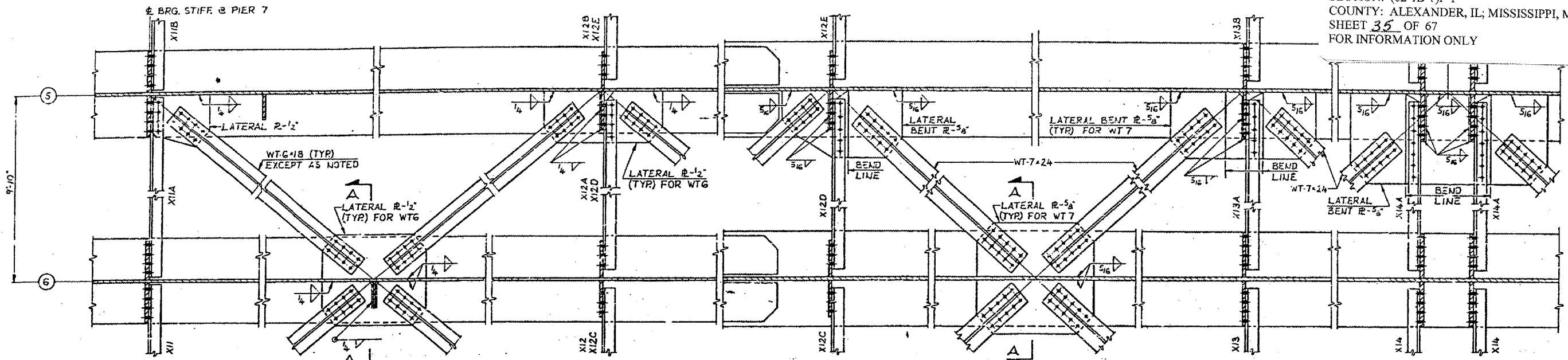
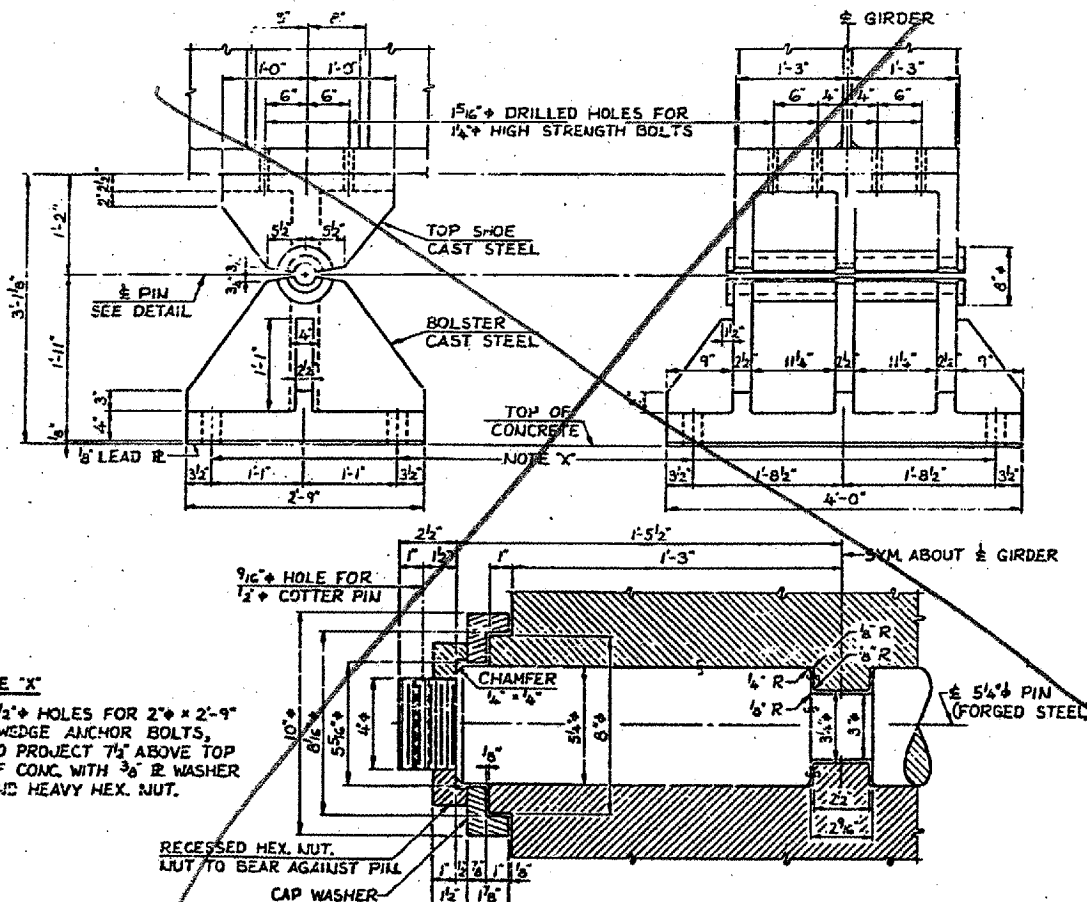


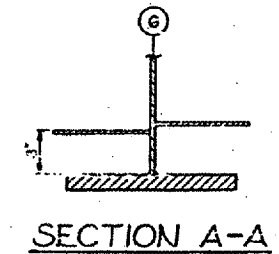
CONTRACT: 78040
 ROUTE: F.A.I. 57
 SECTION: (02-IB-1)P-1
 COUNTY: ALEXANDER, IL; MISSISSIPPI, MO
 SHEET 35 OF 67
 FOR INFORMATION ONLY



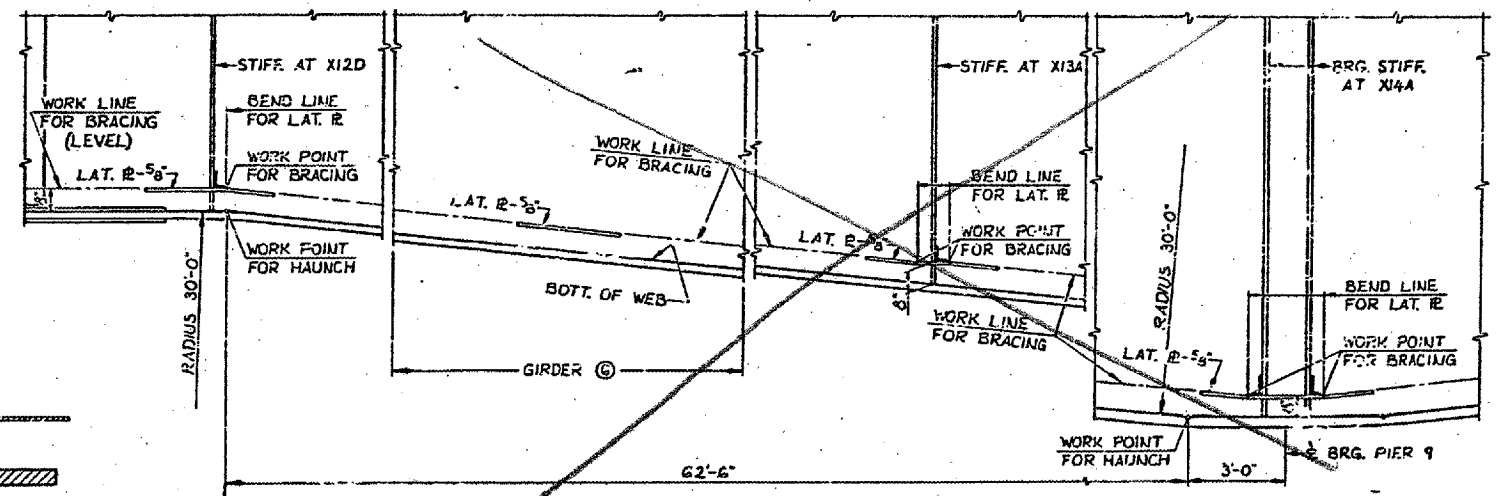
BOTTOM LATERAL BRACING CONNECTIONS



**PIN DETAIL
 FIXED BEARING AT PIER 9**



SECTION A-A



**DETAIL OF HAUNCH
 GIRDER (C) SHOWN EXCEPT AS NOTED**

NOTE "X"
 2 1/2" HOLES FOR 2" x 2'-9"
 SWEDGE ANCHOR BOLTS,
 TO PROJECT 7/8" ABOVE TOP
 OF CONC. WITH 3/8" R WASHER
 AND HEAVY HEX. NUT.

NOTES:
 ALL MATERIAL ASTM A36 UNLESS NOTED.
 ALL FASTENERS SHALL BE 7/8" ASTM A325
 HIGH STRENGTH BOLTS UNLESS NOTED.
 FOR BEARING NOTES SEE SH. 15.

BRIDGE NO. 1
 STRUCTURE NO. 002-0022
 FOR INFORMATION ONLY

STEEL DETAILS - SPANS 62' 0" TO 75' 0"
 F.A.I. RTE. 57 OVER THE MISSISSIPPI RIVER
 PROJECT 1-57-9(6)0
 SECTION (02-IB-1)P
 ALEXANDER COUNTY, ILLINOIS
 MISSISSIPPI COUNTY, MISSOURI
 STA. 1141 + 84.75 TO STA. 1182 + 75.25