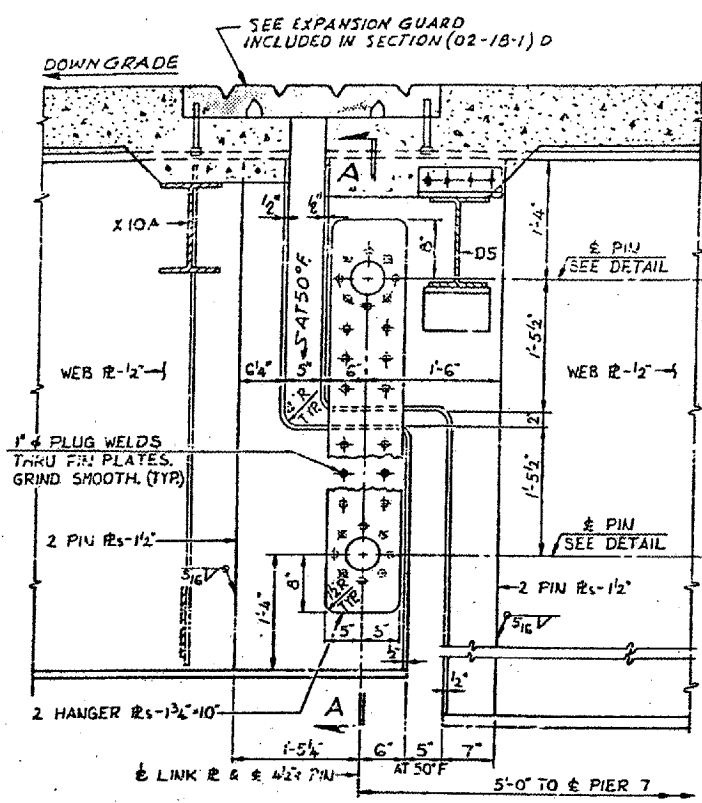
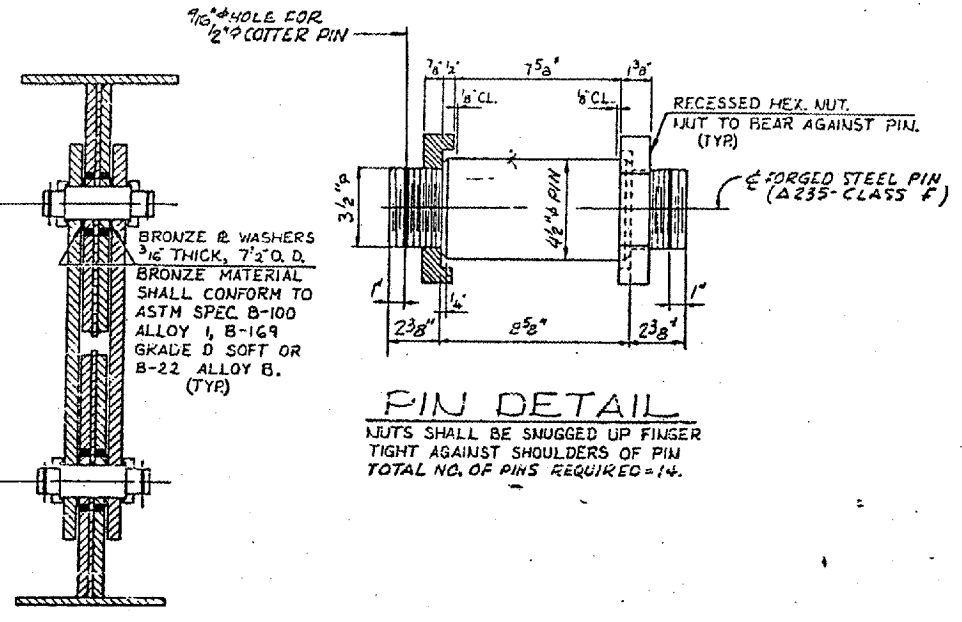


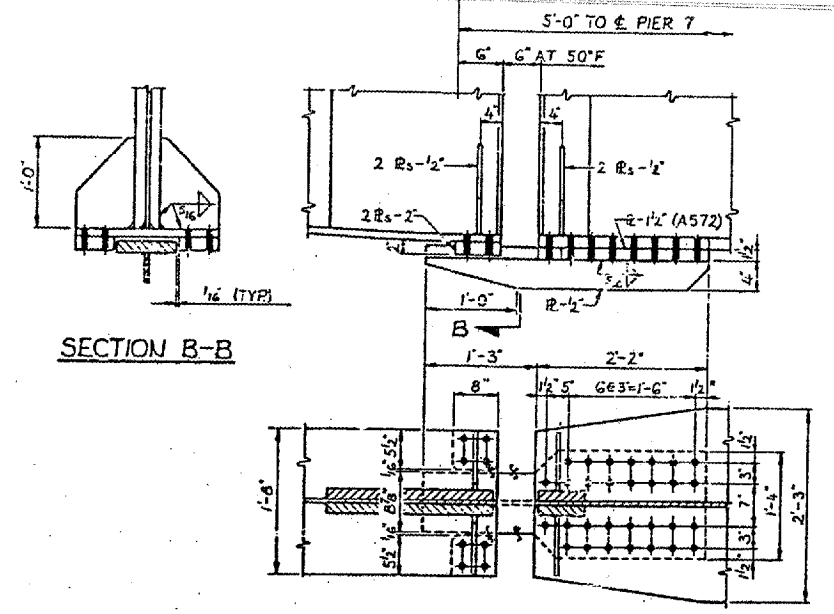
CONTRACT: 78040
 ROUTE: F.A.I. 57
 SECTION: (02-1B-1)P-1
 COUNTY: ALEXANDER, IL; MISSISSIPPI, MO
 SHEET 36 OF 67
 FOR INFORMATION ONLY



LINK DETAILS - SPAN 7
 GIRDER 2 TO G SHOWN
 GIRDERS 1 & 7 SIMILAR EXCEPT FOR WIND BRACING



PIN DETAIL
 NUTS SHALL BE SNUGGED UP FINGER
 TIGHT AGAINST SHOULDERS OF PIN
 TOTAL NO. OF PINS REQUIRED = 14.



WIND BRACING AT LINK-SPAN 7
 GIRDER 1 & 7

NOTES:
 ALL MATERIAL, ASTM A36 UNLESS NOTED.
 ALL FASTENERS SHALL BE 7/8\"/>

BRIDGE NO. 1
 STRUCTURE NO. 002-0022
 FOR INFORMATION ONLY

STEEL DETAILS - SPANS E TO SA
F.A.I. RTE. 57 OVER THE MISSISSIPPI RIVER
 PROJECT 1-57-9(6)0
 SECTION (02-1B-1)P
 ALEXANDER COUNTY, ILLINOIS
 MISSISSIPPI COUNTY, MISSOURI
 STA. 1141 + 84.75 TO STA. 1182 + 75.25