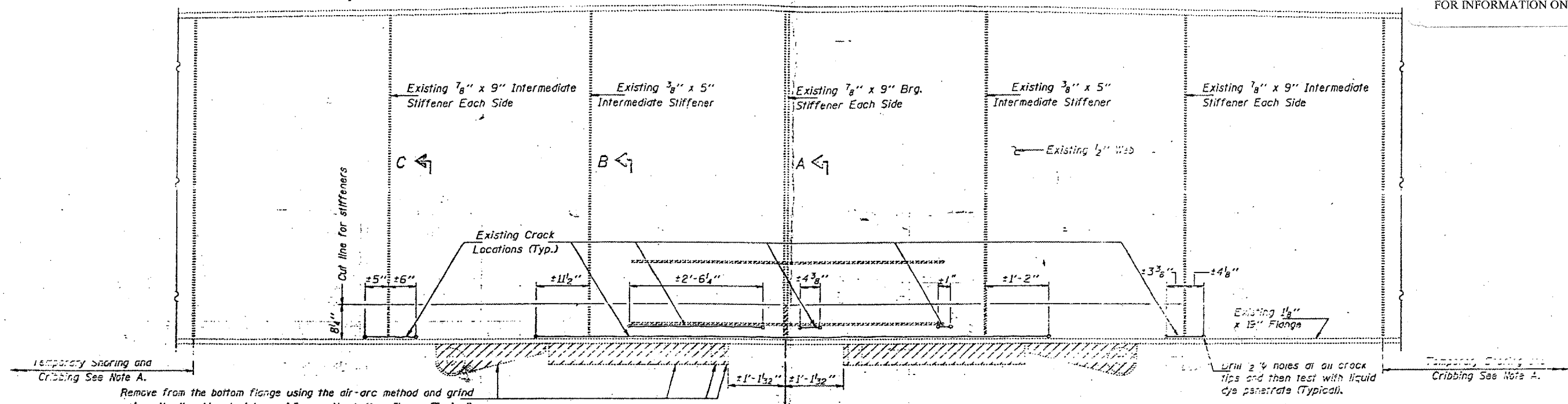


STATE OF ILLINOIS
DEPARTMENT OF TRANSPORTATION

CONTRACT: 78040
ROUTE: F.A.I. 57
SECTION: (02-1B-1)P-1
COUNTY: ALEXANDER, IL; MISSISSIPPI, MO
SHEET 41 OF 67
FOR INFORMATION ONLY



Remove from the bottom flange using the air-arc method and grind smooth all weld material remaining on the bottom flange (Typical).

Drill 2 #4 holes at all crack tips and then test with liquid dye penetrant (Typical).

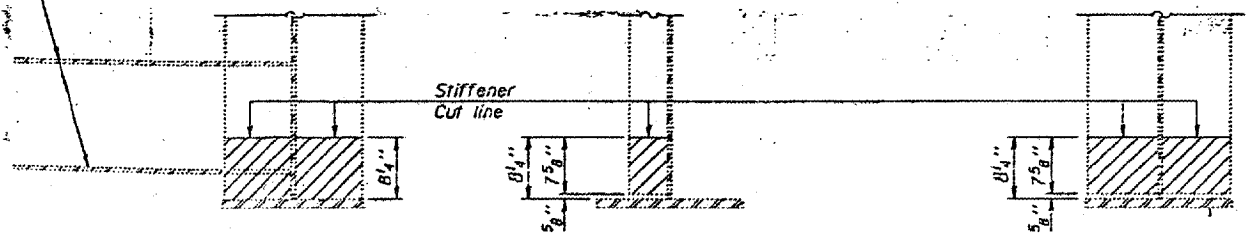
**PARTIAL ELEVATION
NORTH END FLOOR BEAM
AT PIER 11**
Hatched areas indicate removal.

Remove and replace existing stainless steel plate see detail A.

**PARTIAL ELEVATION
SOUTH END FLOOR BEAM
AT PIER 14**

Note A: At Pier 11, Temporary Shoring and Cribbing shall be placed between the existing floorbeam and the top of the pier during repair operations and traffic shall be restricted to lanes which are not directly over the area of the floorbeam being repaired.

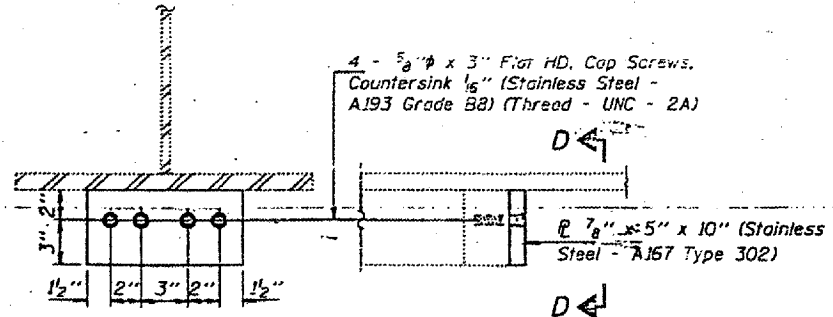
Remove existing 1/2" gusset P's from the web using the air-arc method and grind smooth all weld material remaining on the web.



SECTION A-A

SECTION B-B

SECTION C-C



SECTION D-D DETAIL A

Note: Cost of 5/8" x 3" Flat HD Cap Screws (Stainless Steel - A193 Grade B8) shall be incidental to Furnishing and Erecting Structural Steel.

BRIDGE NO. 1
STRUCTURE NO. 002-0022
FOR INFORMATION ONLY

FLOOR BEAM REPAIRS
F.A.I. RT. 57 SEC. (02-1B-1) (DL-93)
ALEXANDER COUNTY
STA. 1168+50
STR. No. 002-0022

DESIGNED <i>Kenneth P. Stitt</i>	EXAMINED <i>Joseph E. Adams</i>
CHECKED <i>CHM</i>	PASSED
DRAWN <i>Paul Sumner</i>	APPROVED
CHECKED <i>KPS CHM</i>	

March 8 1993