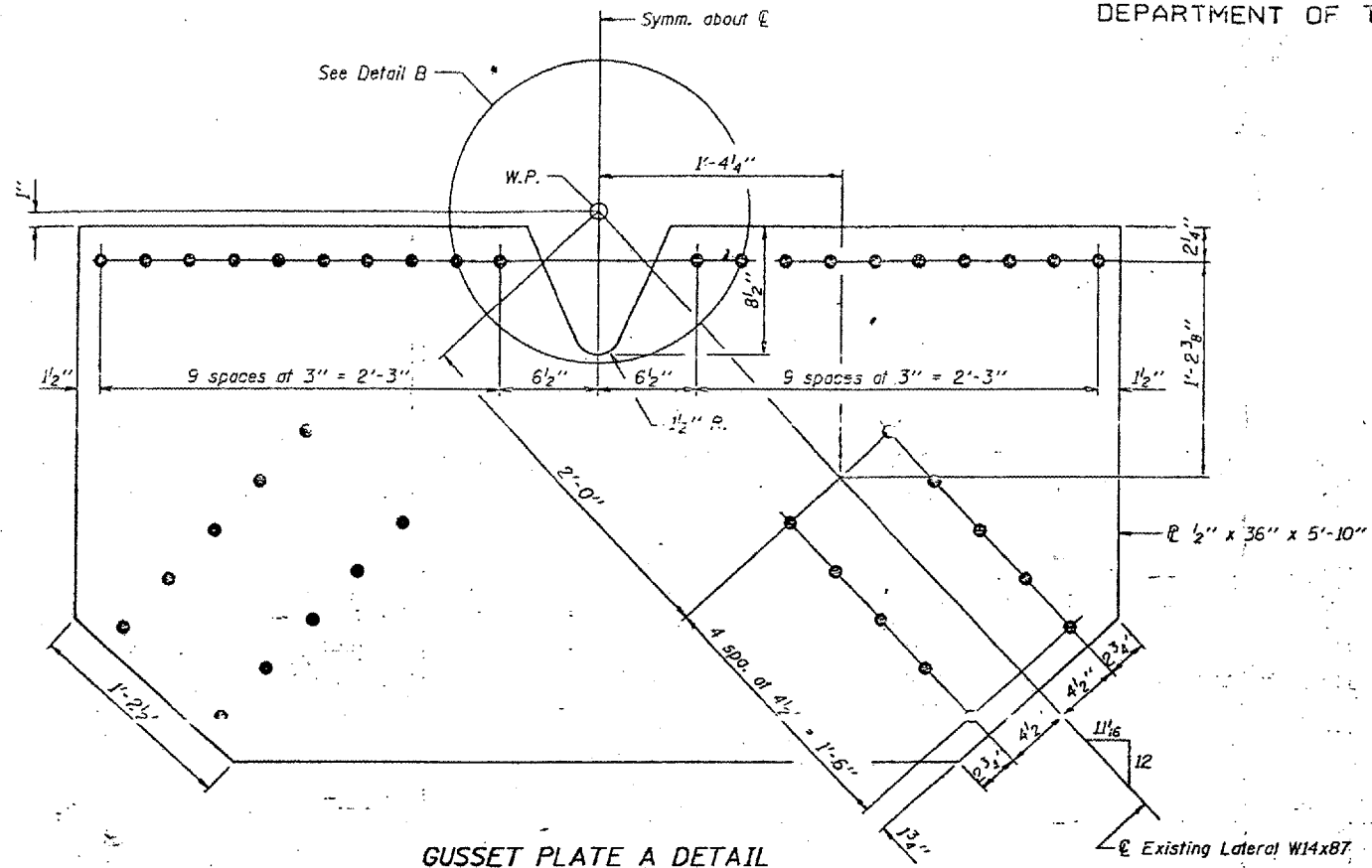
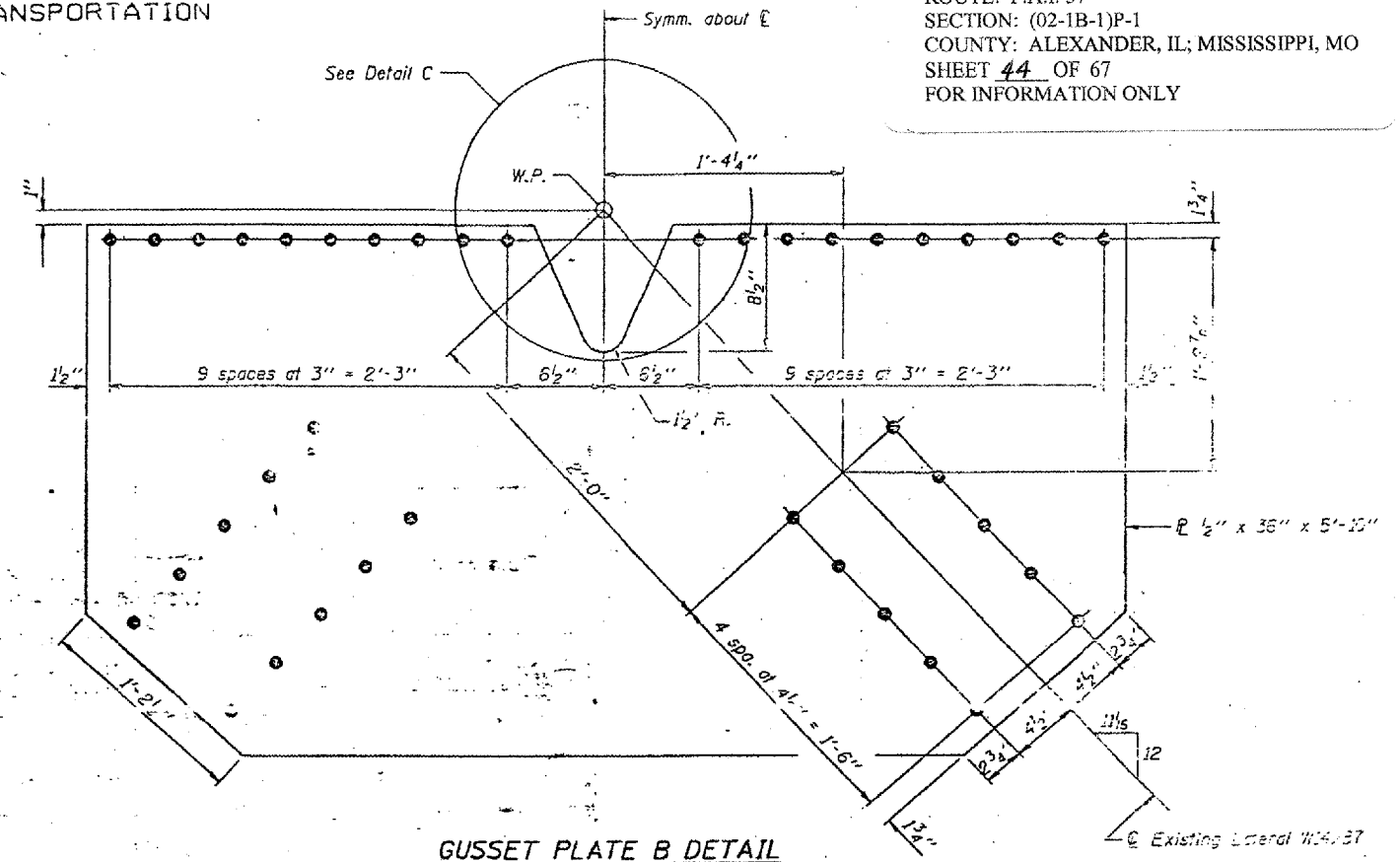


STATE OF ILLINOIS
DEPARTMENT OF TRANSPORTATION

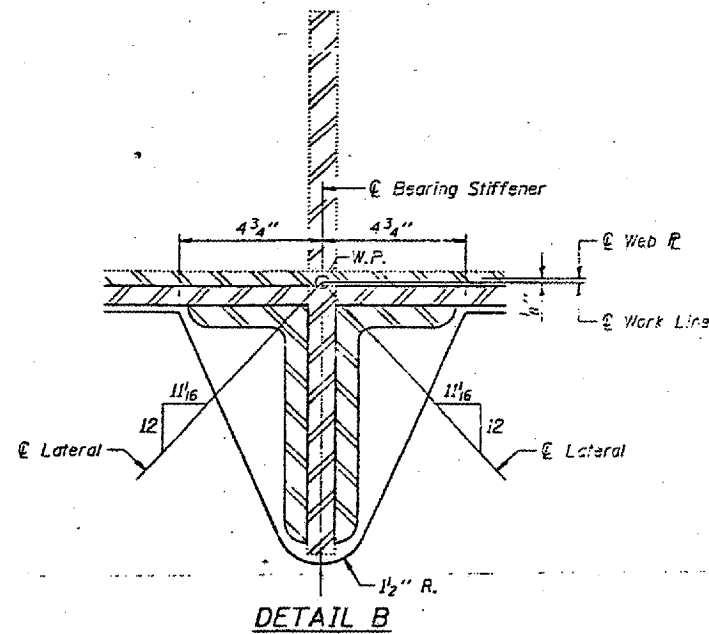
CONTRACT: 78040
ROUTE: F.A.I. 57
SECTION: (02-1B-1)P-1
COUNTY: ALEXANDER, IL, MISSISSIPPI, MO
SHEET 44 OF 67
FOR INFORMATION ONLY



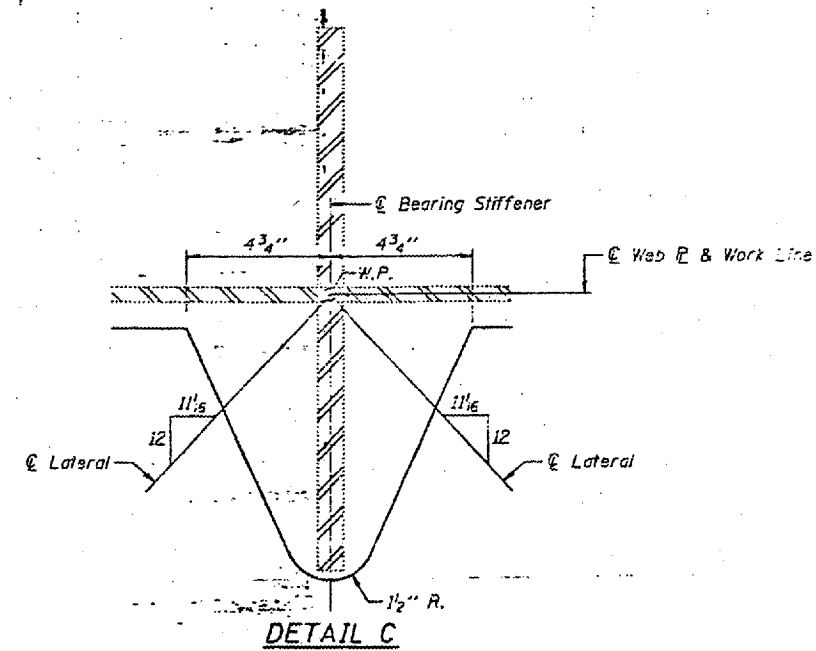
GUSSET PLATE A DETAIL



GUSSET PLATE B DETAIL



DETAIL B



DETAIL C

DESIGNED <i>Kenneth P. Stutz</i>	March 8 1993
CHECKED <i>CHM</i>	EXAMINED <i>Joseph E. Adams</i>
DRAWN <i>Paul Summer</i>	PASSED
CHECKED <i>KPS</i>	APPROVED

March 8 1993
EXAMINED *Joseph E. Adams*
ENGINEER OF STRUCTURAL SERVICES
PASSED
ENGINEER OF BRIDGES AND STRUCTURES
APPROVED
DIRECTOR OF HIGHWAY

BRIDGE NO. 1
STRUCTURE NO. 002-0022
FOR INFORMATION ONLY

FLOOR BEAM REPAIRS
F.A.I. RT. 57 SEC. (02-1B-1) (DL-93)
ALEXANDER COUNTY
STA. 1168+50
STR. No. 002-0022