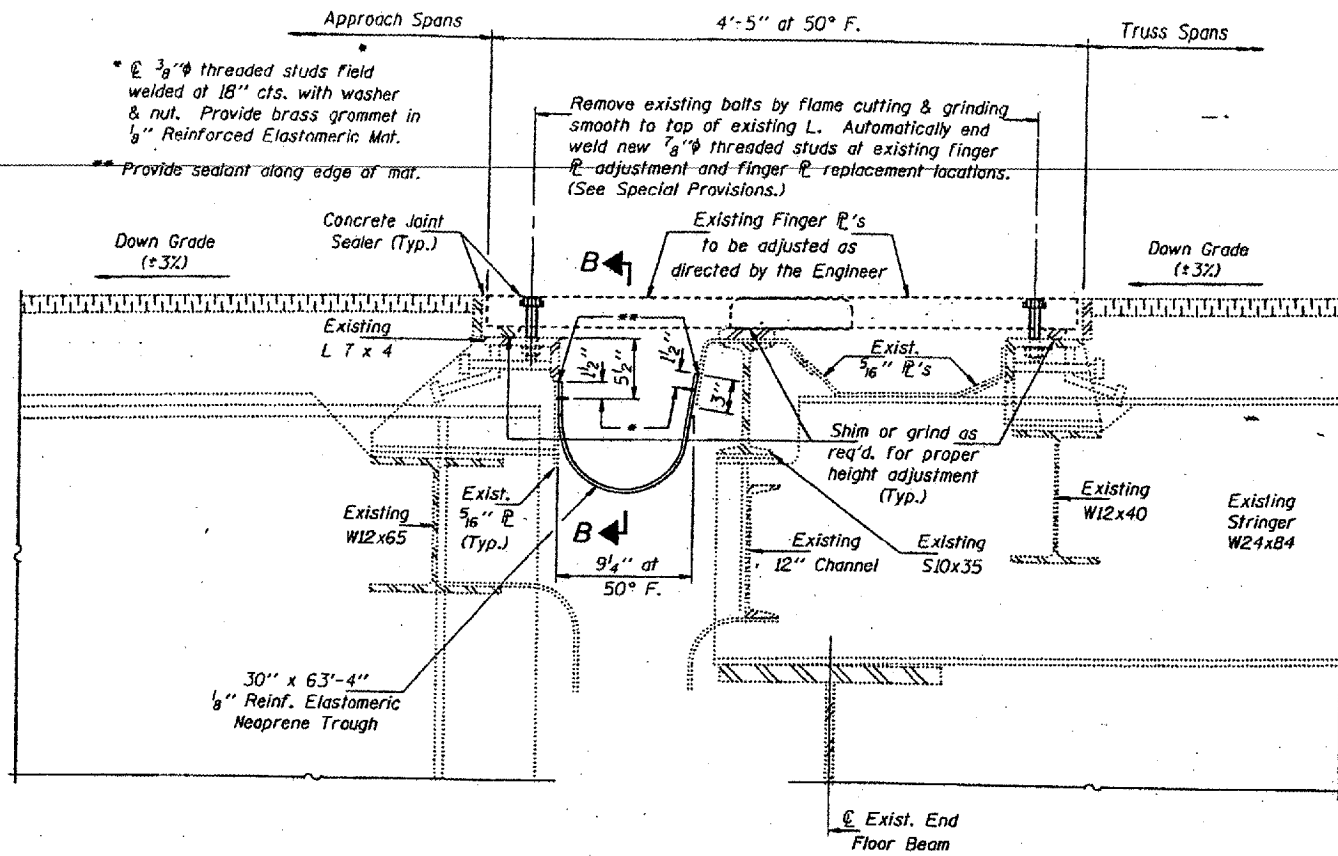
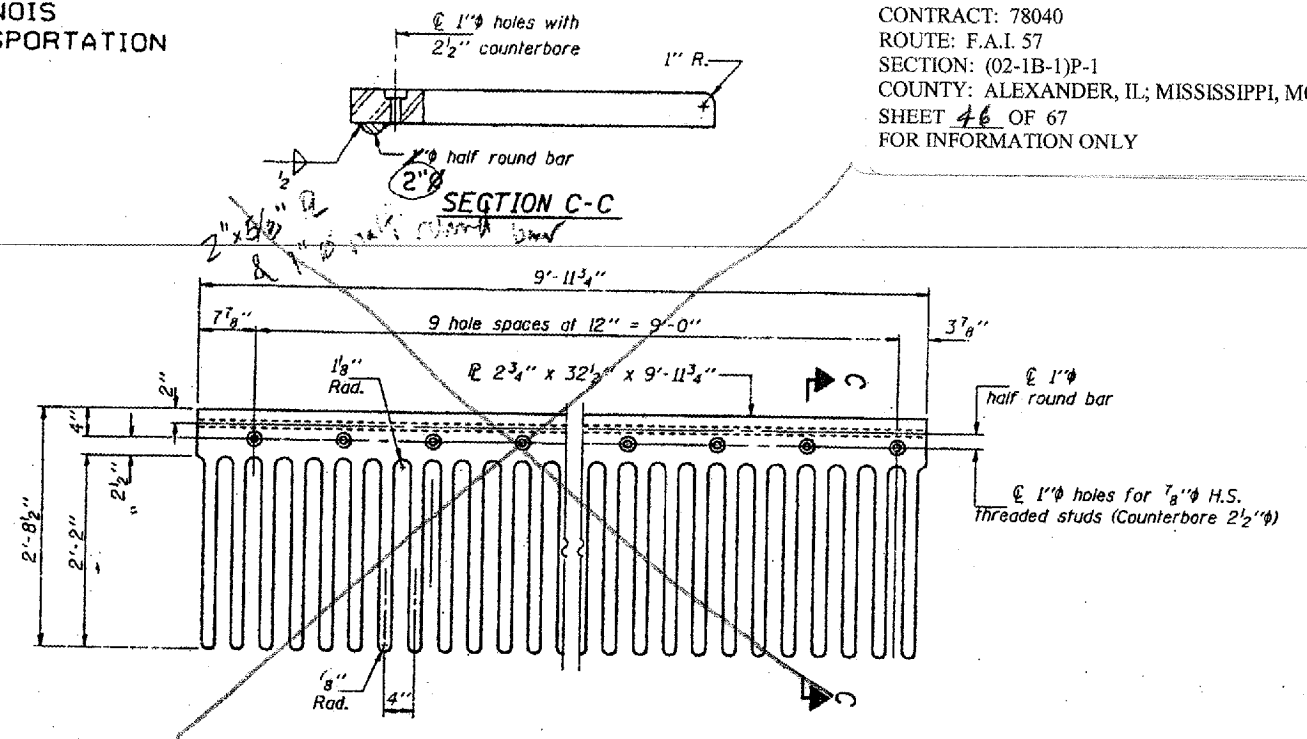


STATE OF ILLINOIS
DEPARTMENT OF TRANSPORTATION

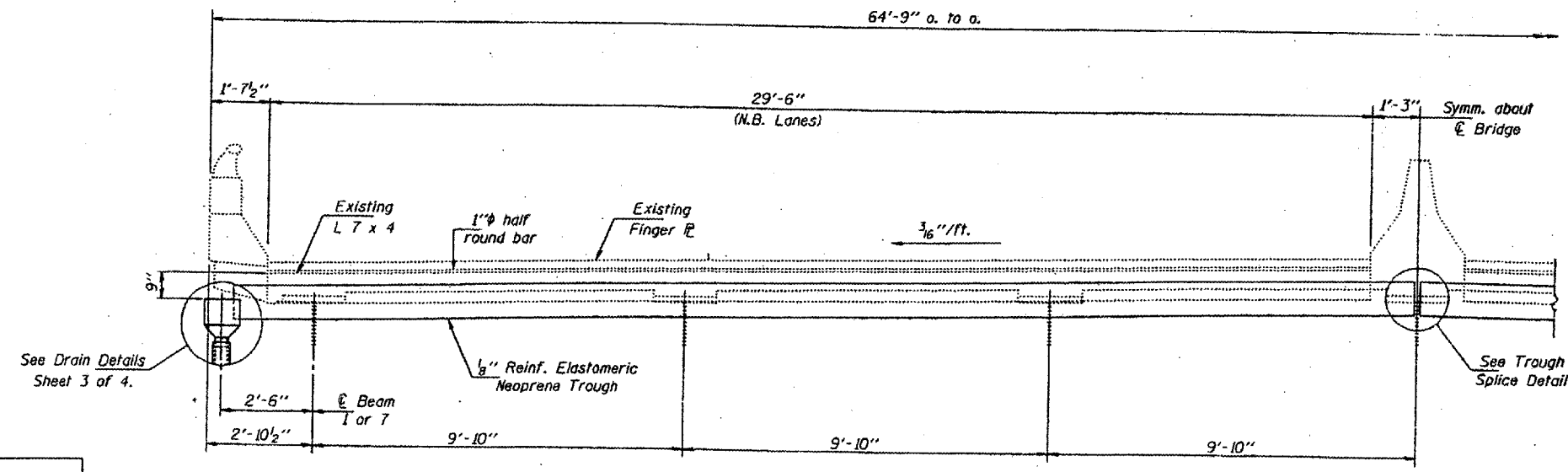
CONTRACT: 78040
ROUTE: F.A.I. 57
SECTION: (02-1B-1)P-1
COUNTY: ALEXANDER, IL; MISSISSIPPI, MO
SHEET 46 OF 67
FOR INFORMATION ONLY



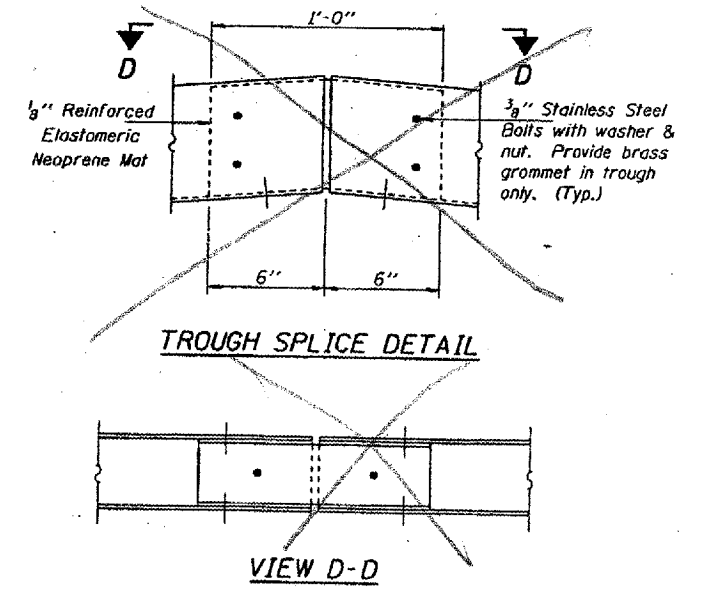
SECTION A-A
Pier II shown; Pier 14 similar



FINGERPLATE REPLACEMENT DETAIL
Req'd.: One (1) of Pier II, center section of N.B. Lane
Note: Field measure to verify dimensions before fabricating.



SECTION B-B



BRIDGE REPAIRS
F.A.I. 57 OVER MISSISSIPPI RIVER
SEC. 02-1B-1
ALEXANDER COUNTY
S.N. 002-0022

BRIDGE NO. 1
STRUCTURE NO. 002-0022
FOR INFORMATION ONLY

DESIGNED	KPS	AUGUST 21	1996
CHECKED	NJS	EXAMINED	<i>Joseph E. Adams</i> ENGINEER OF STRUCTURAL SERVICES
DRAWN	D-ferbert	PASSED	
CHECKED	NJS KPS	ENGINEER OF BRIDGES AND STRUCTURES	