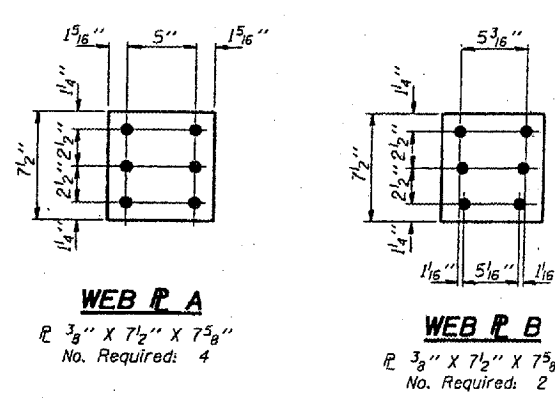
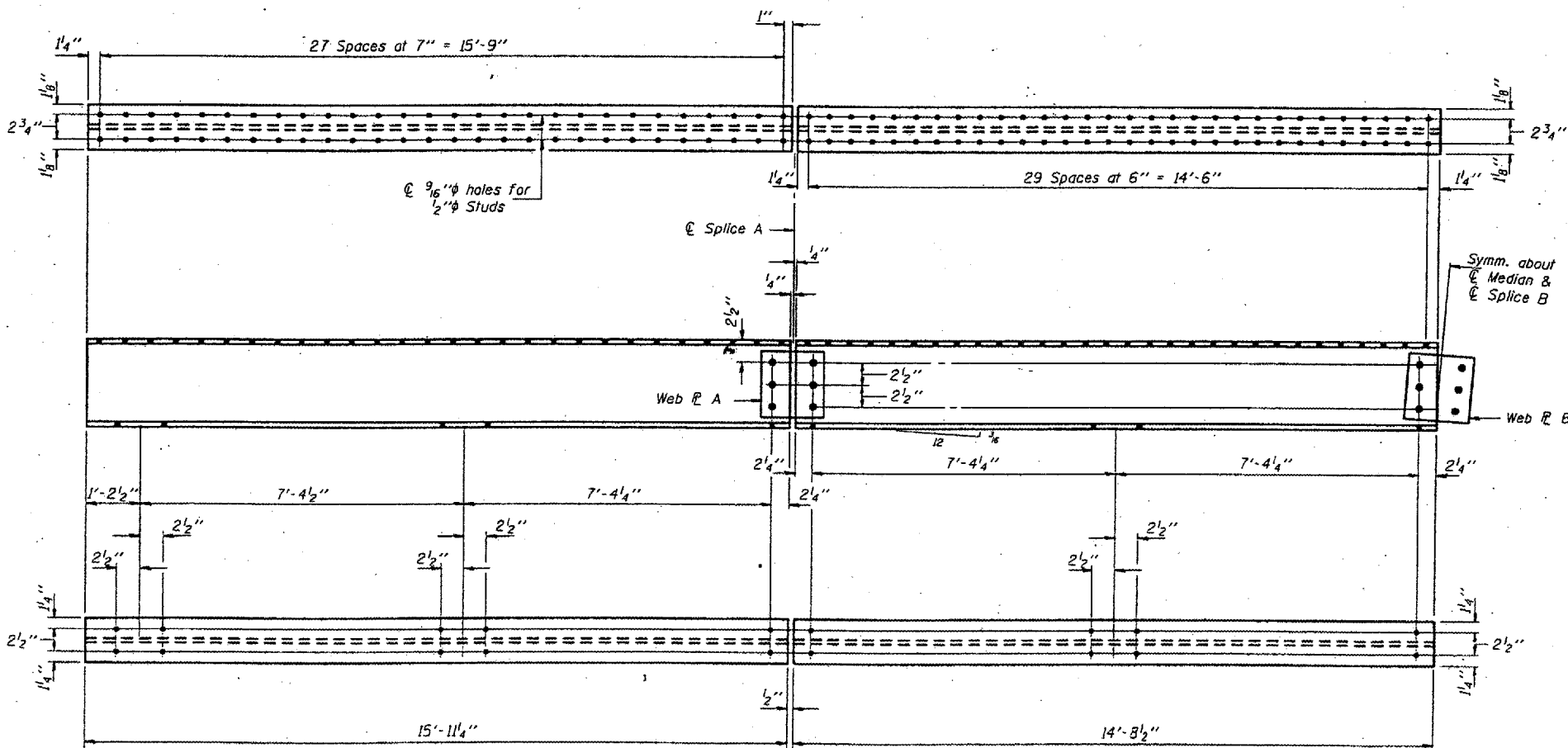
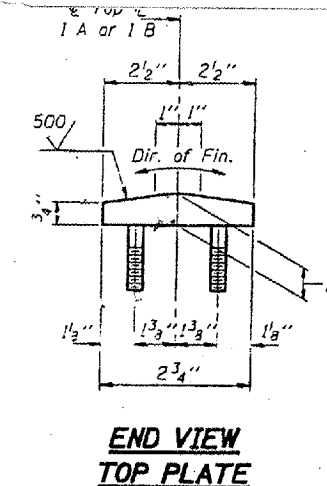
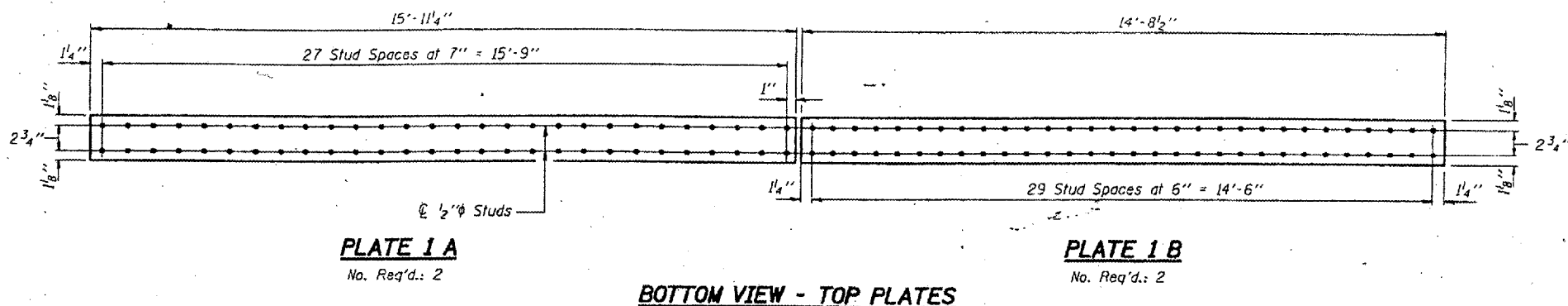


STATE OF ILLINOIS
DEPARTMENT OF TRANSPORTATION

CONTRACT: 78040
ROUTE: F.A.I. 57
SECTION: (02-IB-1)P-1
COUNTY: ALEXANDER, IL; MISSISSIPPI, MO
SHEET 47 OF 67
FOR INFORMATION ONLY



DESIGNED	C.M.E.	APRIL 22	1997
CHECKED	V.H.V.	EXAMINED	<i>John C. Allen</i> ENGINEER OF STRUCTURAL SERVICES
DRAWN	D-herbert	PASSED	ENGINEER OF BRIDGES AND STRUCTURES
CHECKED	R.P.S. C.M.E.		

BRIDGE NO. 1
STRUCTURE NO. 002-0022
FOR INFORMATION ONLY

BRIDGE REPAIRS
F.A.I. 57 OVER MISSISSIPPI RIVER
SEC. 02-IB-1
ALEXANDER COUNTY
S.N. 002-0022