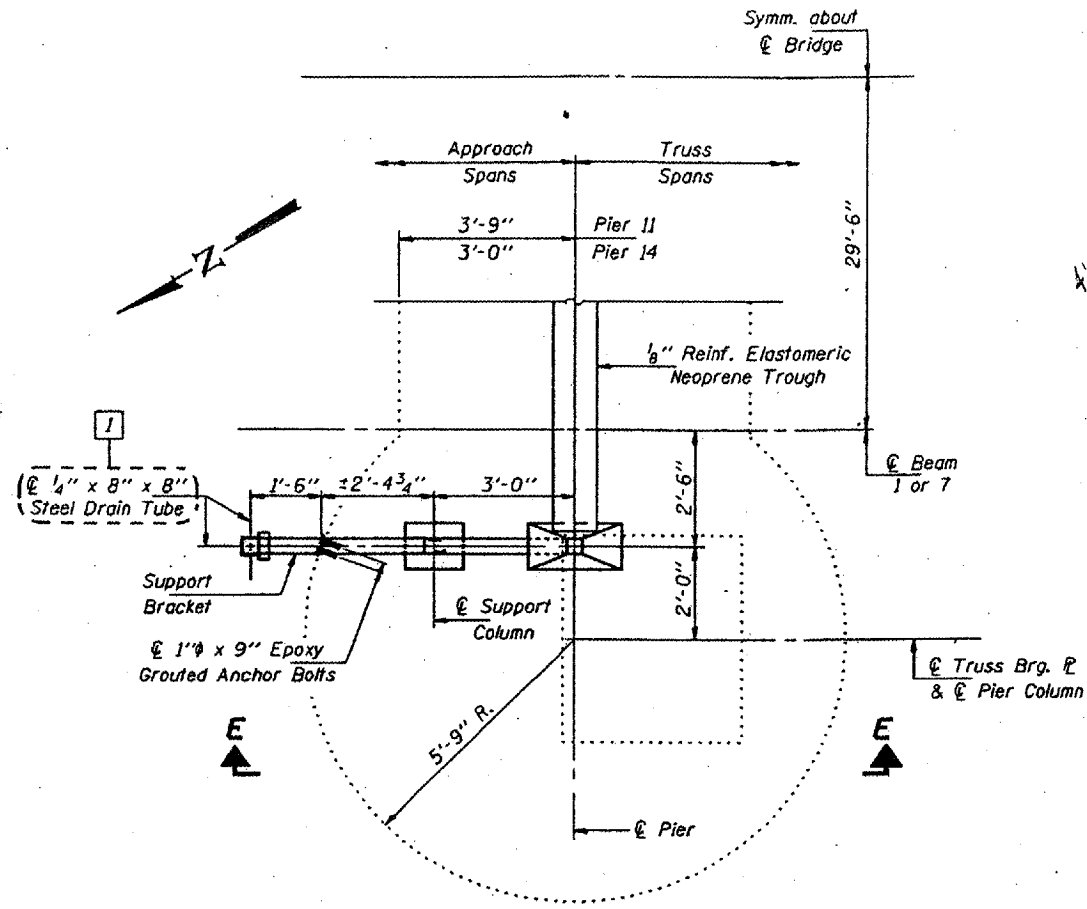
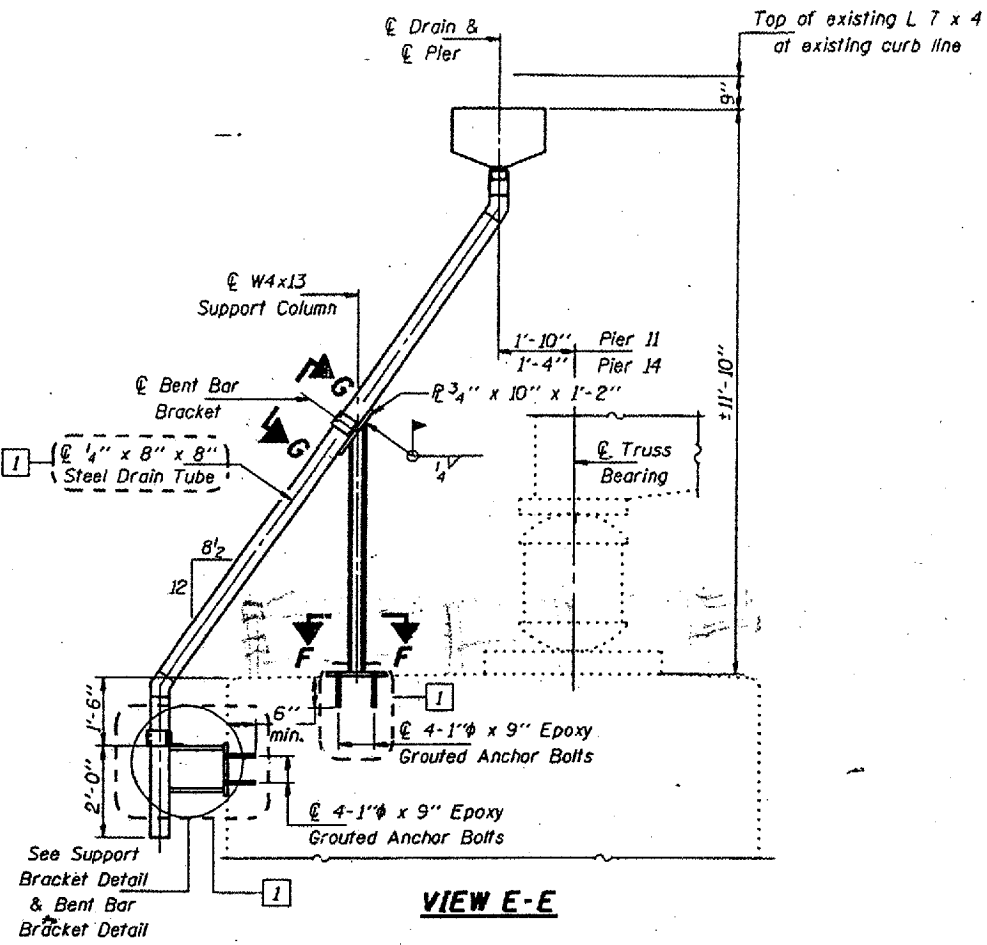


STATE OF ILLINOIS  
DEPARTMENT OF TRANSPORTATION

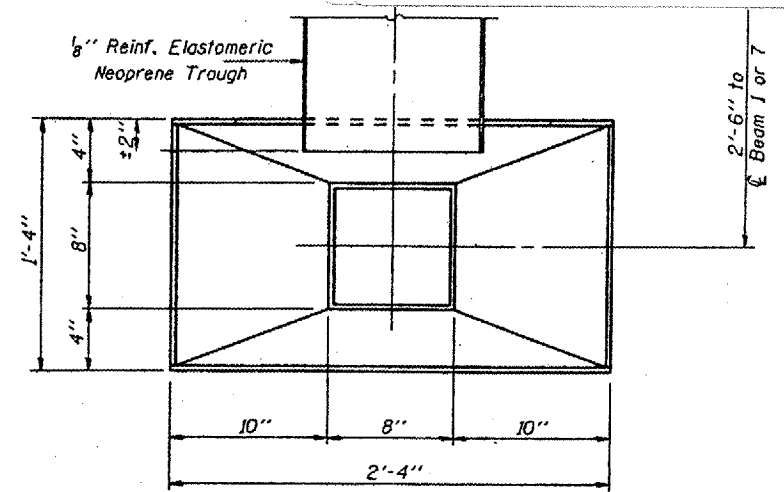
CONTRACT: 78040  
ROUTE: F.A.I. 57  
SECTION: (02-1B-1)P-1  
COUNTY: ALEXANDER, IL; MISSISSIPPI, MO  
SHEET 48 OF 67  
FOR INFORMATION ONLY



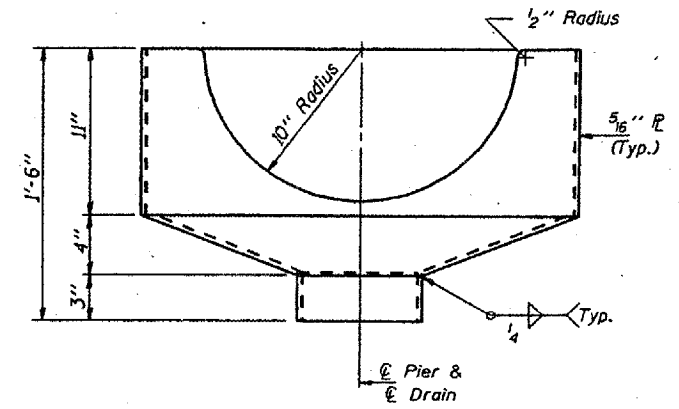
**PARTIAL PLAN - PIER II**  
(Pier 14 similar by rotation of 180°)



**VIEW E-E**

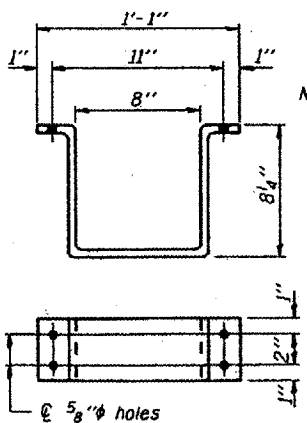


**TOP VIEW**



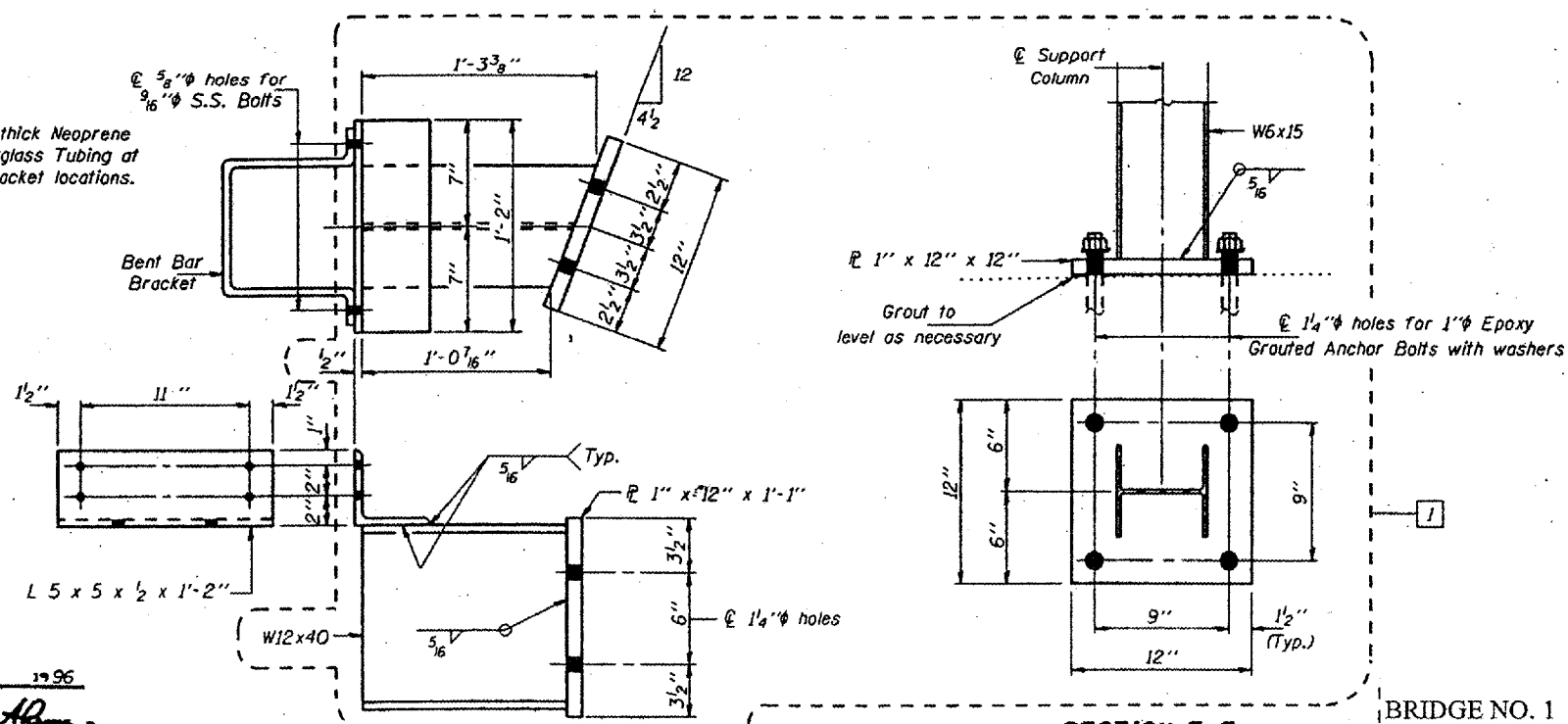
**DRAIN ELEVATION**  
(Looking out from Bridge)

Total No. Req'd.: 4



**BENT BAR BRACKET DETAIL**

$R \frac{1}{4} \times 4 \times 2'-4\frac{1}{2}''$   
Total No. Req'd.: 8

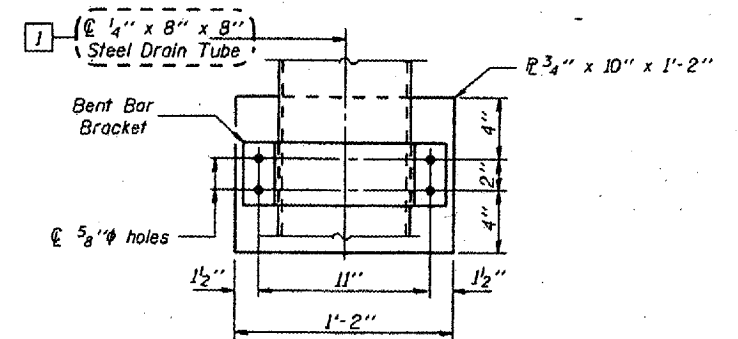


**SUPPORT BRACKET**

Total No. Req'd.: 4

**SECTION F-F**

Total No. Req'd.: 4



**VIEW G-G**

**DRAIN DETAILS**  
F.A.I. 57 OVER MISSISSIPPI RIVER  
SEC. 02-1B-1  
ALEXANDER COUNTY  
S.N. 002-0022

DESIGNED	DAH KPS
CHECKED	NJS
DRAWN	Dferbert
CHECKED	NJS KPS

AUGUST 21 1996

EXAMINED *John E. Adams*  
ENGINEER OF STRUCTURAL SERVICES

PASSED  
ENGINEER OF BRIDGES AND STRUCTURES

BRIDGE NO. 1  
STRUCTURE NO. 002-0022  
FOR INFORMATION ONLY