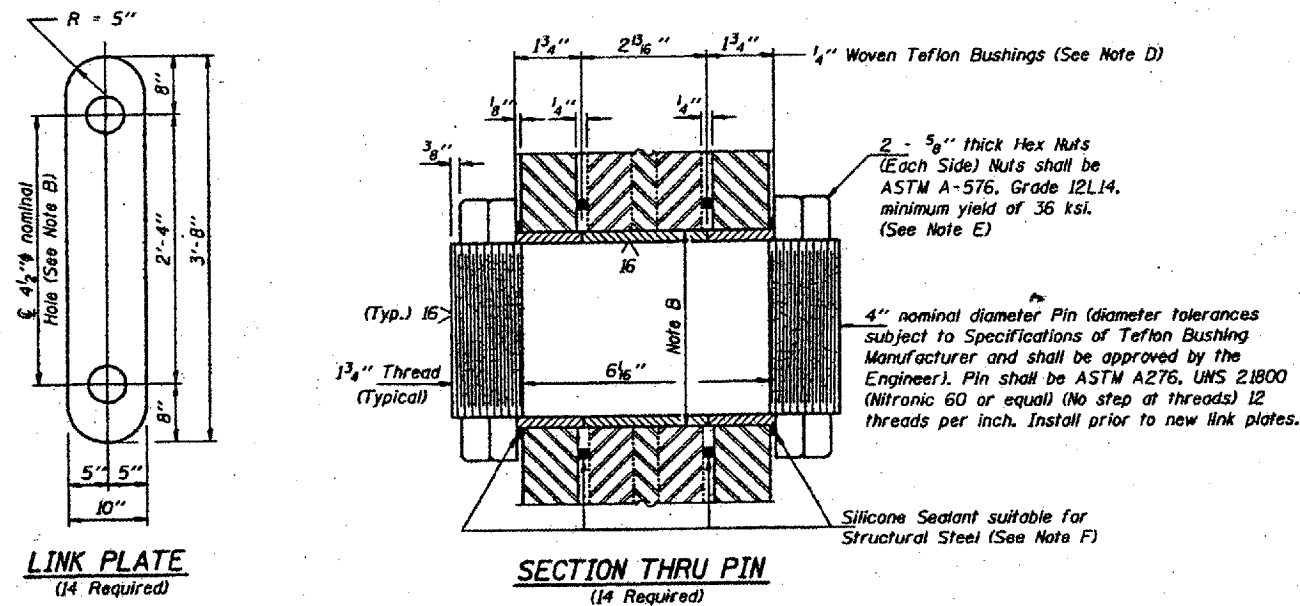
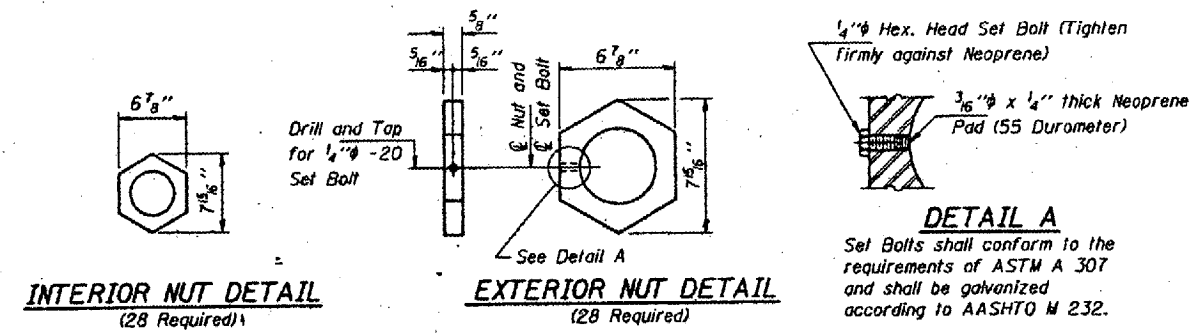
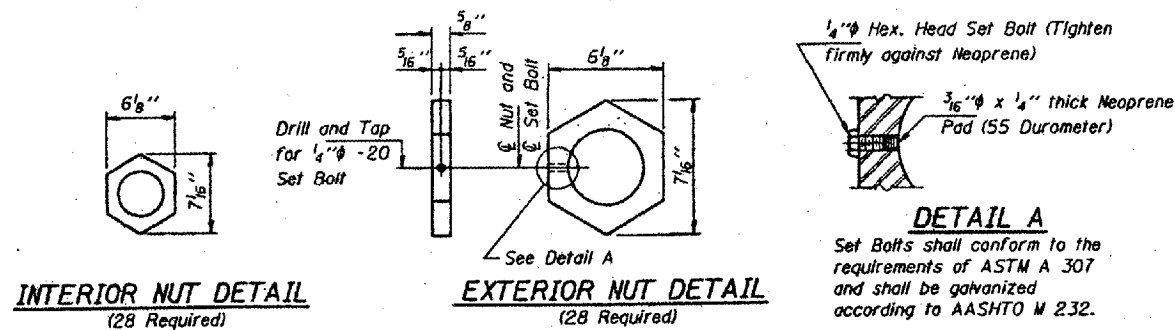
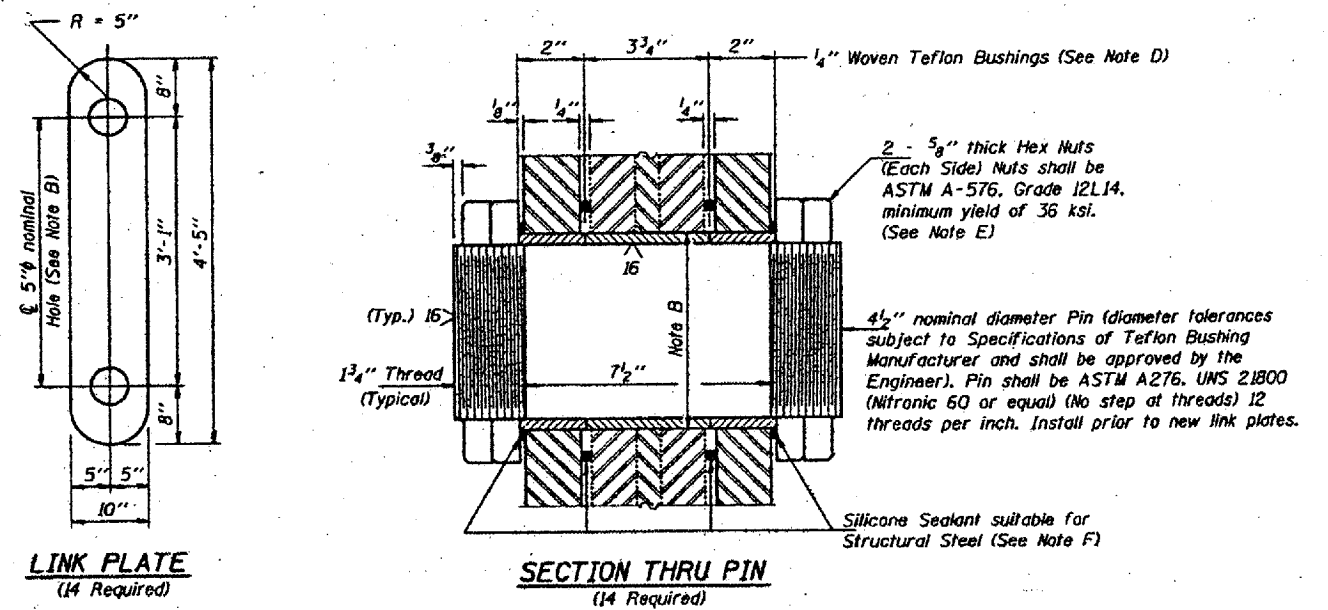


STATE OF ILLINOIS
DEPARTMENT OF TRANSPORTATION

CONTRACT: 78040
ROUTE: F.A.I. 57
SECTION: (02-1B-1)P-1
COUNTY: ALEXANDER, IL; MISSISSIPPI, MO
SHEET 54 OF 67
FOR INFORMATION ONLY



PIN ASSEMBLY SPAN 4



PIN ASSEMBLY SPAN 7

Notes: For notes A thru G see sheet 2 of 13.

DESIGNED	VHV
CHECKED	CME
DRAWN	Paul Sumner
CHECKED	VHV CME

FEBRUARY 19, 1998
EXAMINED *Joseph E. Adams*
ENGINEER OF STRUCTURAL SERVICES
PASSED
ENGINEER OF BRIDGES AND STRUCTURES

BRIDGE NO. 1
STRUCTURE NO. 002-0022
FOR INFORMATION ONLY

PIN AND LINK PLATE REPLACEMENT
SPANS 4 AND 7
F.A.I. ROUTE 57 SEC. 02-1B-1
ALEXANDER COUNTY
STA. 1168+50
STR. No. 002-0022