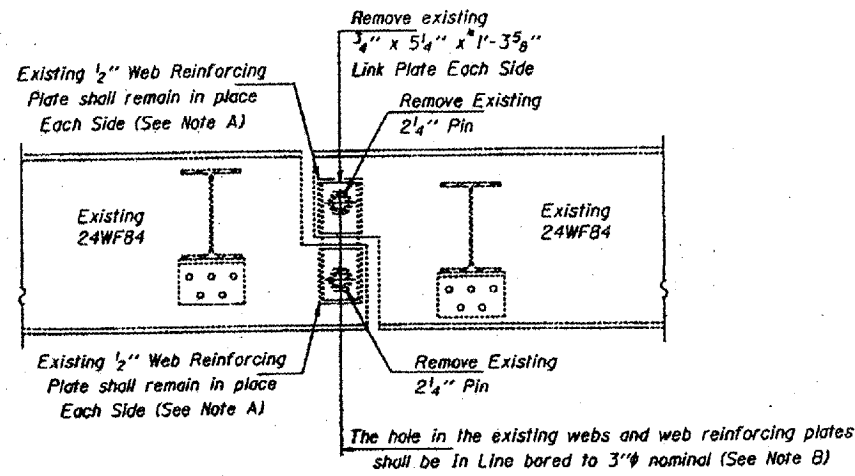


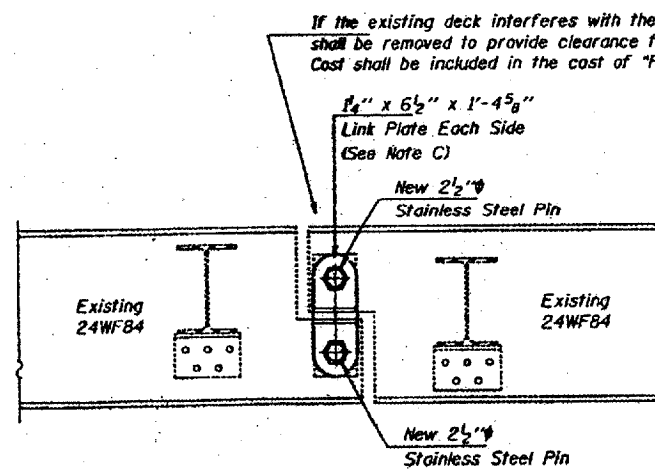
STATE OF ILLINOIS
DEPARTMENT OF TRANSPORTATION

CONTRACT: 78040
ROUTE: F.A.I. 57
SECTION: (02-1B-1)P-1
COUNTY: ALEXANDER, IL; MISSISSIPPI, MO
SHEET 55 OF 67
FOR INFORMATION ONLY

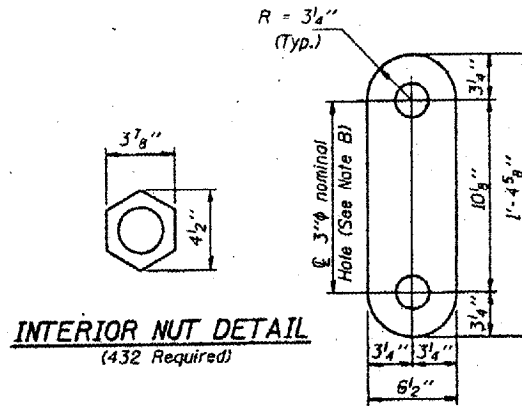


ELEVATION AT EXISTING PIN ASSEMBLY
SPANS 12, 13 AND 14

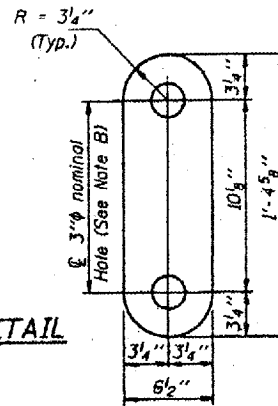
Any Pins that can be easily removed without damage to the pin shall be salvaged and the Bridge Engineer shall be contacted for disposition. Cost of salvage is included in "Pin and Link Plate Replacement".



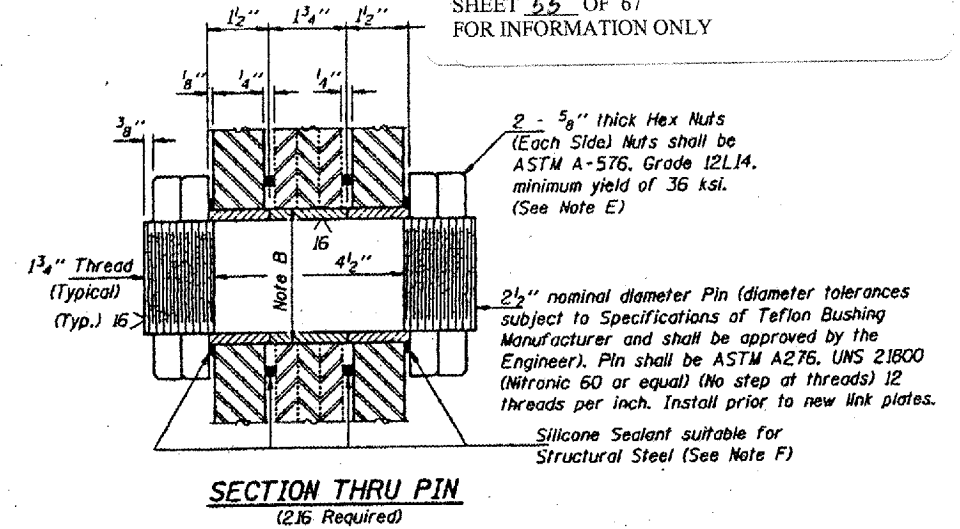
ELEVATION AT NEW PIN ASSEMBLY
SPANS 12, 13 AND 14



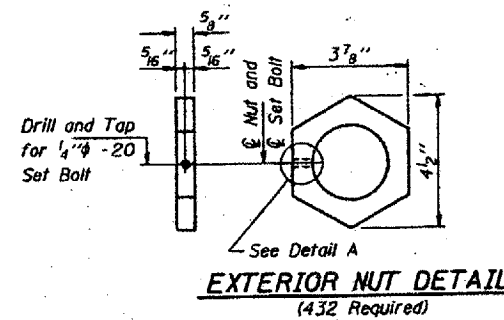
INTERIOR NUT DETAIL
(432 Required)



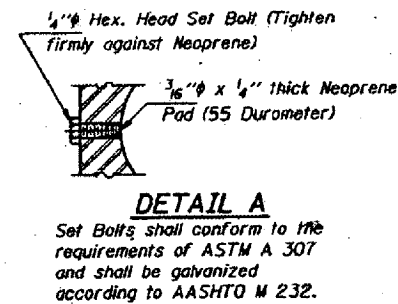
LINK PLATE DETAIL
(216 Required)



SECTION THRU PIN
(216 Required)



EXTERIOR NUT DETAIL
(432 Required)



DETAIL A
Set Bolts shall conform to the requirements of ASTM A 307 and shall be galvanized according to AASHTO M 232.

Notes: For notes A thru F see sheet 2 of 13.

MAXIMUM REACTIONS AT PIN

R _g	(K)	12.9
R _t	(K)	36.9
Imp.	(K)	11.0
R (Total)	(K)	60.8

DESIGNED	VHV
CHECKED	CME
DRAWN	Paul Summar
CHECKED	VHV CME

FEBRUARY 19, 1998
APPROVED: *Joseph E. Adams*
ENGINEER OF STRUCTURAL SERVICES
PASSED: _____
ENGINEER OF BRIDGES AND STRUCTURES

BRIDGE NO. 1
STRUCTURE NO. 002-0022
FOR INFORMATION ONLY

PIN AND LINK PLATE REPLACEMENT
SPANS 12, 13 AND 14
F.A.I. ROUTE 57 SEC. 02-1B-1
ALEXANDER COUNTY
STA. 1168+50
STR. No. 002-0022