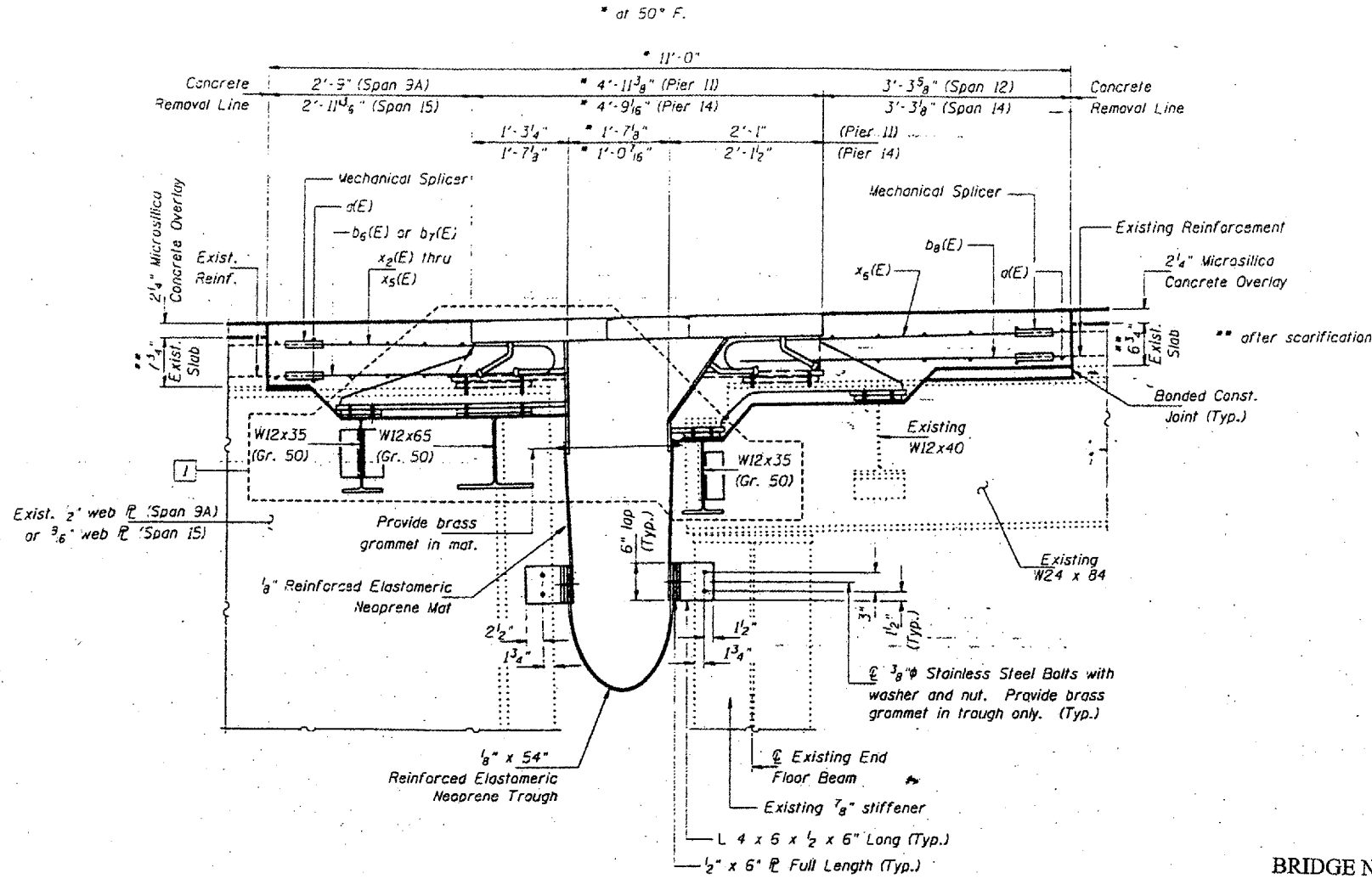


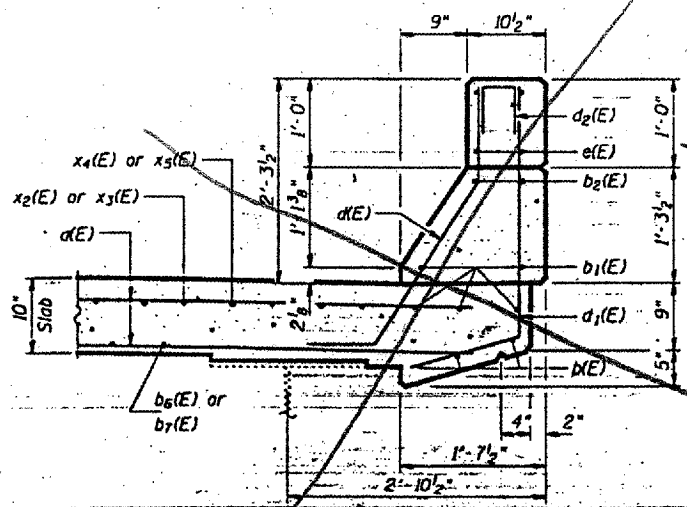
STATE OF ILLINOIS
DEPARTMENT OF TRANSPORTATION

CONTRACT: 78040
ROUTE: F.A.I. 57
SECTION: (02-1B-1)P-1
COUNTY: ALEXANDER, IL; MISSISSIPPI, MO
SHEET 59 OF 67
FOR INFORMATION ONLY

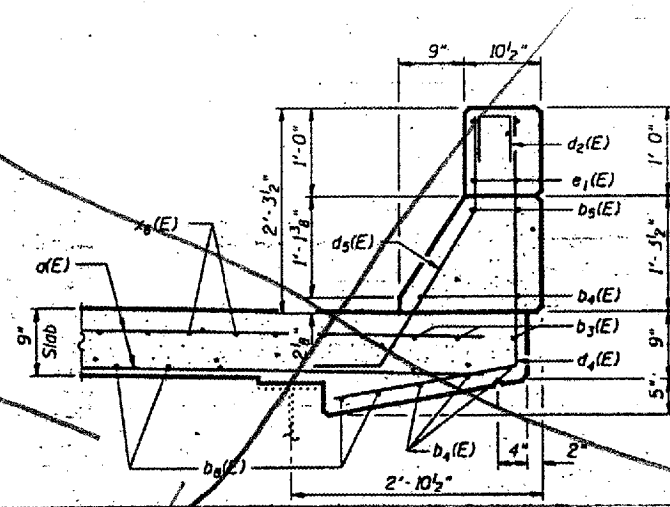


SECTION B-B
Pier 11 shown; Pier 14 similar

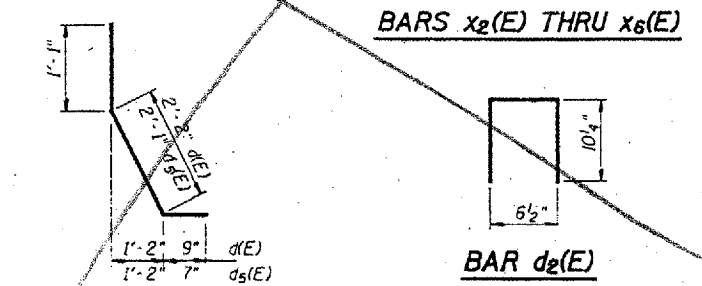
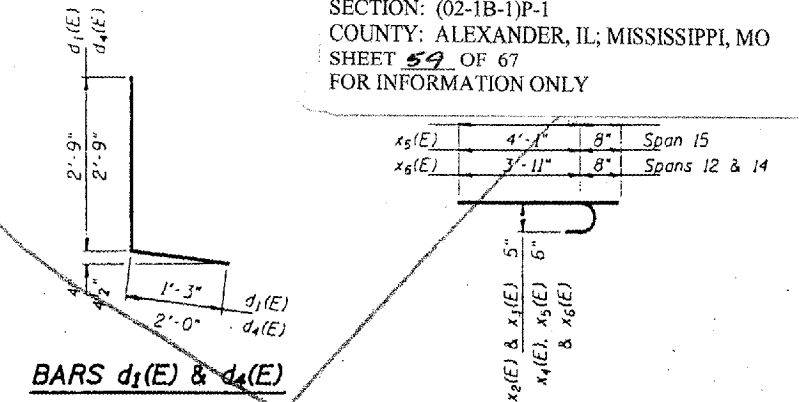
BRIDGE NO. 1
STRUCTURE NO. 002-0022
FOR INFORMATION ONLY



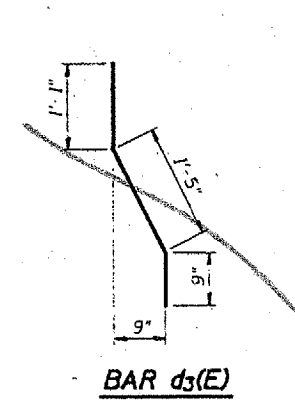
SECTION THRU CURB - SPAN 9A & 15



SECTION THRU CURB - SPAN 12 & 14



BARS d(E) & d5(E)



BAR d3(E)

**PIERS 11 & 14
BILL OF MATERIAL**

Bar	No.	Size	Length	Shape	
d1(E)	92	#6	29'-10"	—	
b1(E)	12	#6	4'-2"	—	
b2(E)	20	#5	4'-2"	—	
b3(E)	8	#8	4'-2"	—	
b4(E)	12	#7	4'-8"	—	
b5(E)	20	#5	4'-8"	—	
b6(E)	8	#8	4'-8"	—	
b7(E)	60	#6	3'-3"	—	
b8(E)	60	#6	3'-9"	—	
d2(E)	180	#5	4'-0"	—	
d3(E)	16	#5	4'-0"	L	
d4(E)	20	#4	4'-0"	L	
d5(E)	16	#4	2'-3"	Π	
d6(E)	8	#5	3'-3"	L	
d7(E)	24	#4	4'-9"	L	
d8(E)	20	#5	3'-9"	L	
e1(E)	16	#4	4'-2"	—	
e2(E)	16	#4	4'-8"	—	
x1(E)	60	#5	3'-10"	U	
x2(E)	60	#5	4'-2"	U	
x3(E)	58	#6	4'-5"	U	
x4(E)	58	#6	4'-9"	U	
x5(E)	236	#6	4'-7"	U	
Reinforcement Bars, Epoxy Coated				Pound	9410
Concrete Superstructure				Cu. Yds.	33.6
Concrete Removal				Cu. Yds.	31.7
Mechanical Splice				Each	768

Reinforcement bars designated (E) shall be epoxy coated.

EXPANSION JOINT DETAILS - PIER 11 & 14
F.A.I. 57 OVER MISSISSIPPI RIVER
ALEXANDER COUNTY
S.N. 002-0022

DESIGNED	P.S.J.	FEBRUARY 4, 2002
CHECKED	A.T.H.	EXAMINED <i>John A. Morris</i>
DRAWN	John P. Schaeffer Jr.	PASSED
CHECKED	A.T.H., P.S.J.	ENGINEER OF BRIDGES AND STRUCTURES